



SEHI-T Electric Expansion Valve

R-134a Chillers/Heat Pumps

SPORLAN



ENGINEERING YOUR SUCCESS.

SEHI-T Electric Expansion Valve

R-134a Chillers/Heat Pumps

FEATURES AND BENEFITS

- Reduction in number of expansion valves required per system
 - Valve cost reduction versus multiple expansion valves
 - Simplified system piping enables piping material cost reduction
 - Reduced install time enables labor cost reduction
 - Single actuator reduces control and wiring complexity
- Improved superheat or level control versus alternate metering device
- Standard 42mm DLA integrates with existing electronics
 - 6,386 steps of resolution
 - 75 Ω bipolar stepper motor
 - 160 mA per winding
- Bi-sealing piston assembly
- Integrated sightglass with moisture indicator for diagnostics and verification of operation



NOMENCLATURE:

Item Number: 805494
 Type: SEHI-T
 21 ODF x 25 ODM 20' - S

SEHI-T CAPACITY:

Refrigerant	Evaporator Temperature (°F)																	
	40°F						20°F						0°F					
	Pressure Drop Across Valve (psid)																	
	40	60	80	100	120	140	40	60	80	100	120	140	40	60	80	100	120	140
R-134a	419	513	592	662	725	783	399	489	565	631	691	747	379	465	537	600	657	710

Refrigerant	Evaporator Temperature (°C)																	
	5°C						-10°C						-20°C					
	Pressure Drop Across Valve (bar)																	
	2.5	4	5.5	8	8.5	10	2.5	4	5.5	8	8.5	10	2.5	4	5.5	8	8.5	10
R-134a	1612	2038	2390	2883	2972	3223	1509	1908	2238	2699	2782	3017	1437	1818	2132	2571	2651	2875

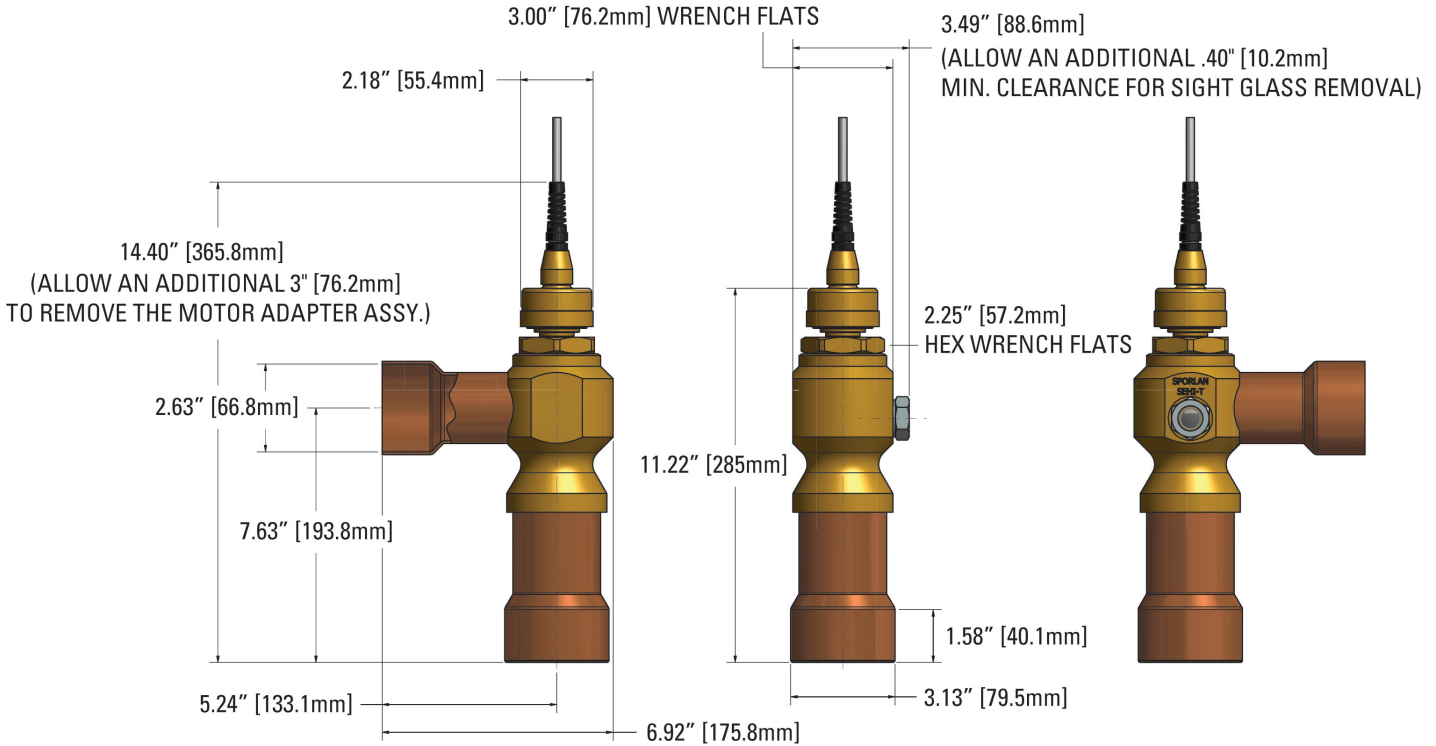
LIQUID CORRECTION FACTORS

°F	0	10	20	30	40	50	60	70	80	90	100	110	120	130	140
°C	-18	-12	-7	-1	4	10	16	21	27	32	38	43	49	54	60
R-134a	1.70	1.63	1.56	1.49	1.42	1.36	1.29	1.21	1.14	1.07	1.00	0.93	0.85	0.78	0.71

SPECIFICATIONS

Motor Type	Permanent magnet bipolar internal (wet) motor
Compatible Refrigerant	R-134a
Compatible Oil	POE, PAG
Supply Voltage (unless current limited)	12 VDC +10%-5%
Cable	Hermetic 4 conductor w/ stripped ends
Phase Resistance	75Ω ±10% at 70°F (21°C)
Stepping Current	160 mA / winding
Holding Current	Not recommended
Number of Full Steps	6,386
Step Rate	200 steps / second (PPS)
Initialization	7,500 steps closing
Overdriving	Recommended one 10% overdrive closed per day maximum (overdriving open not permitted)
MRP/MAP/MWP	500 psig (34 bar)
Ultimate Strength	1,900 psig (131 bar)
MOPD	150 psid (10.3 bar)
Max Internal Leakage	400 cc/min. at 100 psid (6.9 bar) dry air (bi-sealing)
Max External Leakage	0.10 oz./yr. at 300 psig (2.8 gram/yr. at 20 bar)
Liquid Temperature Range	-40°F to 155°F (-40°C to 68°C)
Ambient Temperature Range	-40°F to 140°F (-40°C to 60°C)
Installation Maximum Temperature	230°F (110°C) for 15 minutes (wet rag required for brazing)
Relative Humidity	0-100% (Condensing)
Mounting Orientation	Motor assembly above horizontal
Flow Direction	Forward flow only (side inlet) - Seals against pressure in both directions
Certifications	UL (SA5460), CE, ROHS, REACH

DIMENSIONS



⚠ WARNING – USER RESPONSIBILITY

Failure or improper selection or improper use of the products described herein or related items can cause death, personal injury and property damage.

This document and other information from Parker Hannifin Corporation, its subsidiaries and authorized distributors provide product or system options for further investigation by users having technical expertise.

The user, through its own analysis and testing, is solely responsible for making the final selection of the system and components and assuring that all performance, endurance, maintenance, safety and warning requirements of the application are met. The user must analyze all aspects of the application, follow applicable industry standards, and follow the information concerning the product in the current product catalog and in any other materials provided from Parker or its subsidiaries or authorized distributors.

To the extent that Parker or its subsidiaries or authorized distributors provide component or system options based upon data or specifications provided by the user, the user is responsible for determining that such data and specifications are suitable and sufficient for all applications and reasonably foreseeable uses of the components or systems.

For safety information see the Safety Guide at www.parker.com/safety or call 1-800-CParker.

OFFER OF SALE

The items described in this document are hereby offered for sale by Parker Hannifin Corporation, its subsidiaries or its authorized distributors. This offer and its acceptance are governed by the provisions stated in the detailed "Offer of Sale" elsewhere in this document or available at www.parker.com.

FOR USE ON AIR CONDITIONING and HEAT PUMP SYSTEMS ONLY

