

Diesel Pump - P Series

FUEL

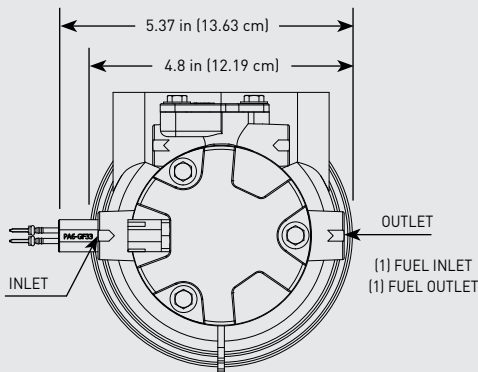
Specifications:

| | |
|---------------------------|--|
| Height: | P3: 7.76" (19.71 cm) P4: 8.9" (22.6 cm) P5: 11.58" (29.41 cm) |
| Width: | 4.8" (12.19 cm) |
| Depth: | 5.14" (13.05 cm) |
| Weight (Dry): | P3: 3.5 lbs (1.6 kg) P4: 3.8 lbs (1.7 kg) P5: 4.2 lbs (1.9 kg) |
| Ports: | 3/8-18 NPT |
| Service Clearance: | 6.5" (16.51 cm) Below |

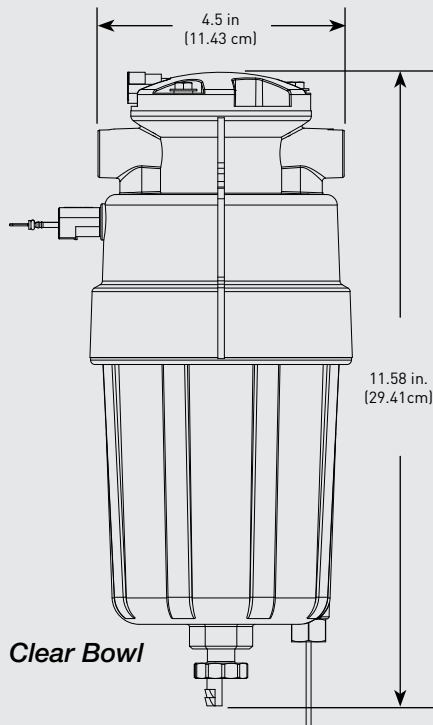
Create a Part Number

| Mounting Head | Pump - 2 Fuel Ports |
|-----------------|--|
| Fuel Flow Rate | 30 gph Flow Rate 40 gph Flow Rate 50 gph Flow Rate |
| Pump Voltage | 12 vdc Pump |
| Filtration Type | 10 micron filter |
| Port Size | 3/8" ports |
| Heater Type | 12 vdc 150 watt Heater |
| P | 3 4 5 2 10 N H |

Dimensions:

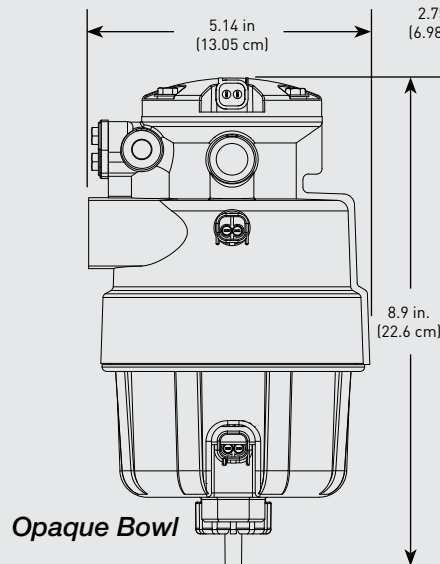


Top



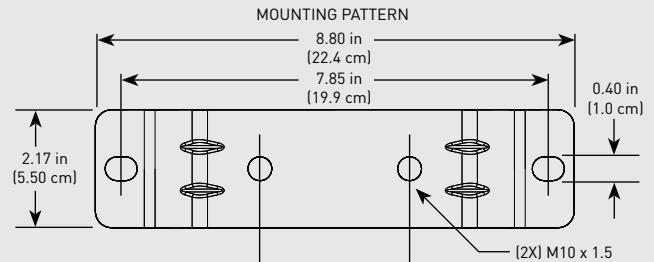
Clear Bowl

Front



Opaque Bowl

Profile



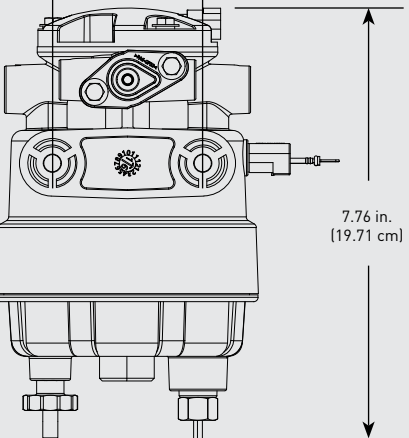
MOUNTING PATTERN

(2X) M10 x 1.5

Assemblies Include: Universal Mounting Bracket, Under Dash Control Panel, Wiring and Connector Harness

ASSEMBLIES DESCRIPTION

| | |
|---------|---|
| P3210NH | Pump, Diesel FF/WS, 30 gph Flow Rate, 10 Micron Filtration, 12 volt Heater, Clear Bowl |
| P4210NH | Pump, Diesel FF/WS, 40 gph Flow Rate, 10 Micron Filtration, 12 volt Heater, Black (Opaque) Bowl |
| P5210NH | Pump, Diesel FF/WS, 50 gph Flow Rate, 10 Micron Filtration, 12 volt Heater, Clear Bowl |



Clear Bowl

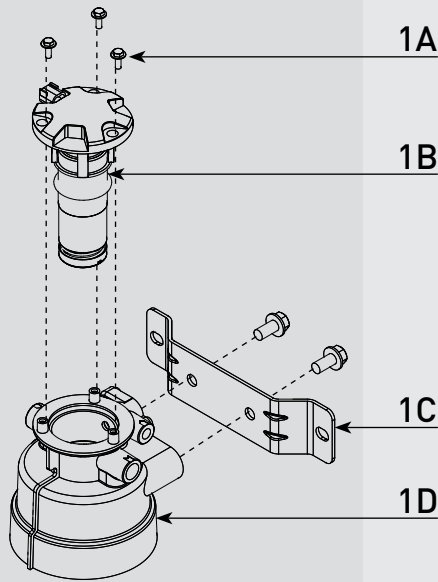
Back



PARTS

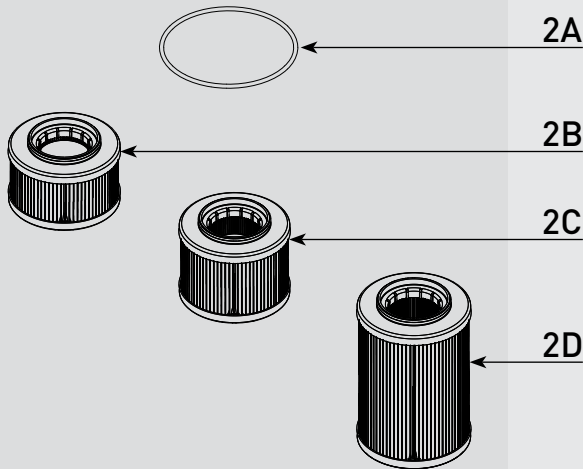
Diesel Pump - P Series

1



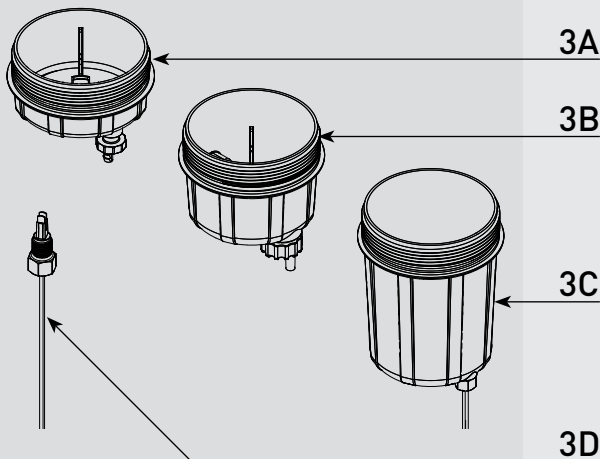
| Part # | Description |
|--------|------------------------------------|
| 1A | Bolts |
| 1B | PPF58752 Replacement Pump Assembly |
| 1C | Universal Mounting Bracket |
| 1D | P-Series Head Assembly |

2



| | |
|----|--|
| 2A | Bowl O-ring - <i>Included in 2B & 2C</i> |
| 2B | R58060-10 P3 Replacement Filter - 10 micron - <i>Includes 2A</i> |
| 2C | R58095-10 P4 Replacement Filter - 10 micron - <i>Includes 2A</i> |
| 2D | R58039-10 P5 Replacement Filter - 10 micron - <i>Includes 2A</i> |

3



| | |
|----|--|
| 3A | P3 Replacement Bowl Assembly - <i>Includes 2A & 3D</i> |
| 3B | RK 58010 P4 Replacement Bowl Assembly - <i>Includes 2A</i> |
| 3C | RK58181 P5 Replacement Bowl Assembly - <i>Includes 2A & 3D</i> |
| 3D | RK 21069 Replacement WIF Probe |

Online Link
Diesel Fuel Conditioning Module Product Selector

