

Specifications:

- Steel body
- Side Inlet Grid
- Outlet Ports: 6.0" and 7.0" Diameter
- Flow rates: 820-1950 cfm
- Assembly Lengths: 15.0" - 24.0"
- Assembly Diameters: 9.7" - 13.4"
- Optional Inlet Transition Adapter

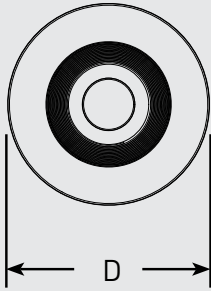
Engine Displacement Formula:

$$CFM = HP \times SA$$

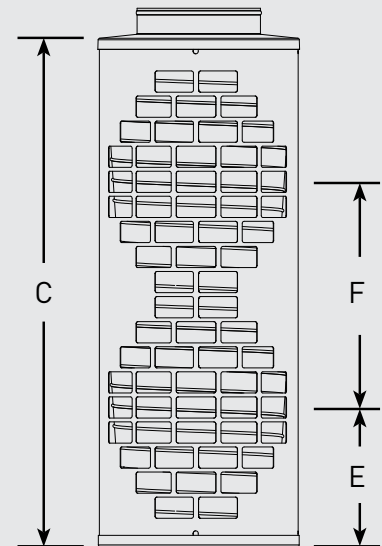
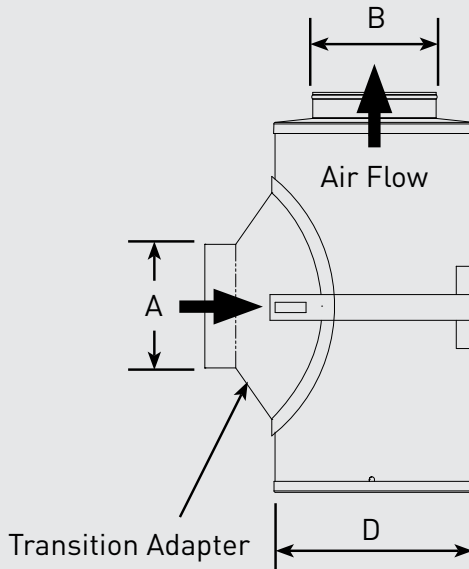
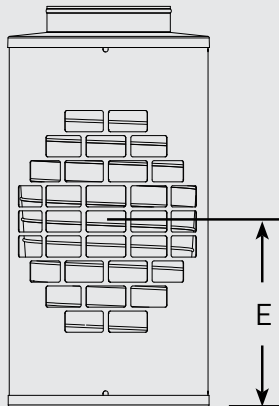
SA = Specific Airflow rating

- 4-Stroke naturally aspirated diesel engine: **SA = 2.0**
- 4-Stroke turbo charged diesel engine: **SA = 2.3**
- 4-Stroke turbo charged after cooled diesel engine: **SA = 2.3**
- 2-Stroke naturally aspirated diesel engine: **SA = 2.0**
- 2-Stroke scavenge blower diesel engine: **SA = 3.3**
- 2-Stroke turbo charged diesel engine: **SA = 3.6**

Dimensions:



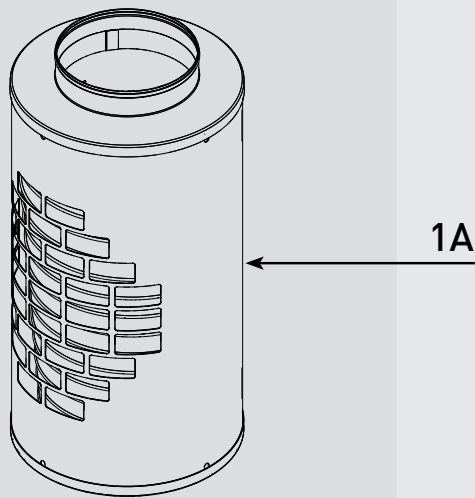
| SINGLE GRID INLET | (A) INLET OD IN (CM) | (B) OUTLET OD IN (CM) | (C) LENGTH IN (CM) | (D) DIAMETER IN (CM) | (E) DISTANCE IN (CM) | (F) DISTANCE IN (CM) | FLOW RATE CFM | WEIGHT LBS (KG) |
|-------------------|----------------------------|-----------------------------|--------------------------|----------------------------|----------------------------|----------------------------|------------------|--------------------|
| 071338001 | N/A | 6.0 (15.2) | 24.0 (61.0) | 9.7 (24.6) | 9.0 (22.9) | N/A | 820-1220 | 15.5 (7.1) |
| 071338002 | N/A | 7.0 (17.8) | 24.0 (61.0) | 10.9 (27.7) | 9.0 (22.9) | N/A | 1200-1700 | 19.2 (8.8) |
| 071338003 | N/A | 7.0 (17.8) | 24.0 (61.0) | 13.4 (34.0) | 9.0 (22.9) | N/A | 1370-1950 | 22.0 (10.0) |
| 071338004 | N/A | 7.0 (17.8) | 18.0 (45.7) | 13.4 (34.0) | 9.0 (22.9) | N/A | 1350-1800 | 19.9 (9.1) |
| 071338005 | N/A | 7.0 (17.8) | 15.0 (38.1) | 13.4 (34.0) | 7.5 (19.0) | N/A | 1350-1800 | 17.0 (7.7) |
| 071338007 | N/A | 7.0 (17.8) | 24.0 (61.0) | 10.9 (27.7) | 12.0 (30.5) | N/A | 1200-1700 | 17.5 (7.9) |
| 071338008 | N/A | 6.0 (15.2) | 18.0 (45.7) | 9.7 (24.6) | 9.0 (22.9) | N/A | 920-1190 | 12.1 (5.5) |
| DOUBLE GRID INLET | (A) INLET OD IN (CM) | (B) OUTLET ID IN (CM) | (C) LENGTH IN (CM) | (D) DIAMETER IN (CM) | (E) DISTANCE IN (CM) | (F) DISTANCE IN (CM) | FLOW RATE CFM | WEIGHT LBS/KG |
| 071338009 | N/A | 7.0 (17.8) | 24.0 (61.0) | 13.4 (34.0) | 7.7 (19.6) | 8.5 (21.6) | 1210-1910 | 9.0 (4.1) |



PARTS

ECO-II Series

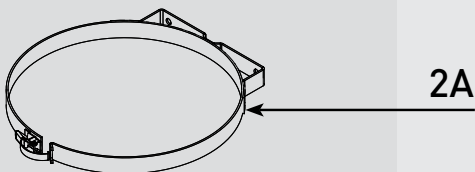
1



1A

| Part # | Description |
|---------------------|--|
| 1A 071338001 | Single Grid - (D) 9.7 in., (L) 24.0 in., (OD) 6.0 in., (Inlet Port Location from Base) 9.0 in. |
| 071338002 | Single Grid - (D) 10.9 in., (L) 24.0 in., (OD) 7.0 in., (Inlet Port Location from Base) 9.0 in. |
| 071338003 | Single Grid - (D) 13.4 in., (L) 24.0 in., (OD) 7.0 in., (Inlet Port Location from Base) 9.0 in. |
| 071338004 | Single Grid - (D) 13.4 in., (L) 18.0 in., (OD) 7.0 in., (Inlet Port Location from Base) 9.0 in. |
| 071338005 | Single Grid - (D) 13.4 in., (L) 15.0 in., (OD) 7.0 in., (Inlet Port Location from Base) 7.5 in. |
| 071338007 | Single Grid - (D) 10.9 in., (L) 24.0 in., (OD) 7.0 in., (Inlet Port Location from Base) 11.5 in. |
| 071338008 | Single Grid - (D) 9.7 in., (L) 18.0 in., (OD) 6.0 in., (Inlet Port Location from Base) 9.0 in. |
| 071338009 | Double Grid - (D) 13.4 in., (L) 24.0 in., (OD) 7.0 in., (Inlet Port Location from Base) 7.7 in. |
| 2A 071921001 | Mounting Clamp - (D) 9.8 in. |
| 071921002 | Mounting Clamp - (D) 11.0 in. |
| 071921003 | Mounting Clamp - (D) 13.5 in. |

2



2A

Online Link
Disposable Engine Air Filters Product Selector



RSL0392_CUT_ECO-II (03/25 Rev A)

Questions? Email: racortech@parker.com Phone: 800-344-3286 News: www.racornews.com