

## Specifications:

- Beaded urethane outlet with Steel body
- Straight through or side Inlet Port
- Outlet Ports: 3.0", 4.0", 4.5", 5.0", 5.5" and 7.0" Inner Diameter
- Flow rates: 240 - 1180 cfm
- Assembly Lengths: 14.2" - 24.0"
- Assembly Diameters: 6.8" - 11.0"

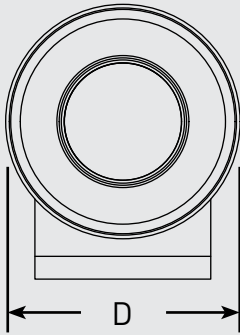
## Engine Displacement Formula:

$$CFM = HP \times SA$$

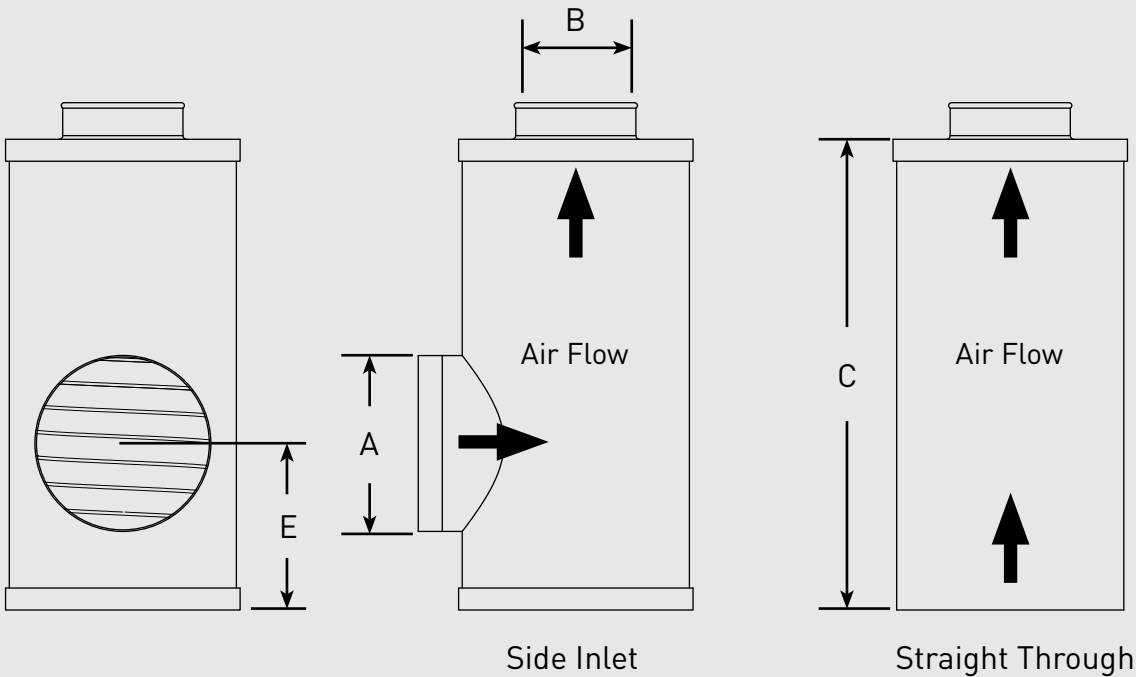
SA = Specific Airflow rating

- 4-Stroke naturally aspirated diesel engine: SA = 2.0
- 4-Stroke turbo charged diesel engine: SA = 2.3
- 4-Stroke turbo charged after cooled diesel engine: SA = 2.3
- 2-Stroke naturally aspirated diesel engine: SA = 2.0
- 2-Stroke scavenge blower diesel engine: SA = 3.3
- 2-Stroke turbo charged diesel engine: SA = 3.6

## Dimensions:



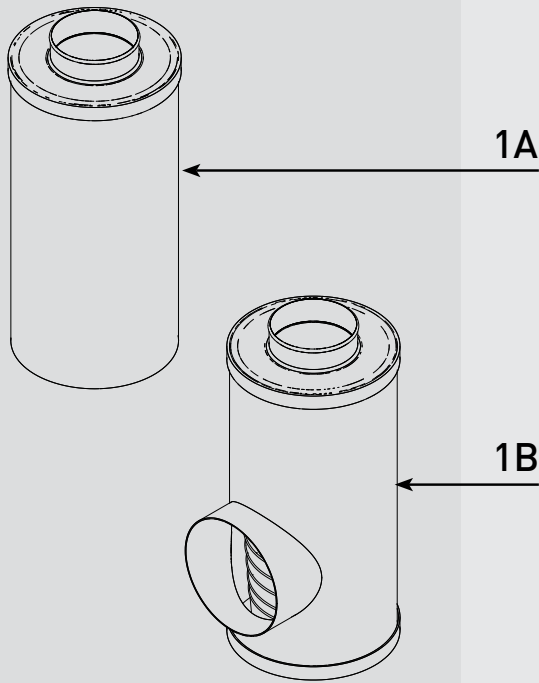
STRAIGHT THROUGH ASSEMBLY	(A) INLET OD IN (CM)	(B) OUTLET ID IN (CM)	(C) LENGTH IN (CM)	(D) DIAMETER IN (CM)	(E) DISTANCE IN (CM)	FLOW RATE CFM	WEIGHT LBS (KG)
114500001	N/A	3.0 (7.6)	14.2 (36.1)	6.8 (17.3)	N/A	240-340	5.0 (2.3)
114500002	N/A	4.0 (10.2)	17.2 (43.7)	7.8 (19.8)	N/A	355-510	6.5 (2.9)
114500003	N/A	5.0 (12.7)	18.9 (48.0)	9.7 (24.6)	N/A	610-890	7.9 (3.6)
SIDE INLET ASSEMBLY	(A) INLET OD IN (CM)	(B) OUTLET ID IN (CM)	(C) LENGTH IN (CM)	(D) DIAMETER IN (CM)	(E) DISTANCE IN (CM)	FLOW RATE CFM	WEIGHT LBS (KG)
114880003	6.0 (15.2)	5.5 (14.0)	19.4 (49.3)	9.7 (24.6)	4.0 (10.2)	600-900	9.0 (4.1)
114880005	6.0 (15.2)	4.5 (11.4)	17.2 (43.7)	7.8 (19.8)	5.5 (14.0)	420-800	7.0 (3.2)



# PARTS

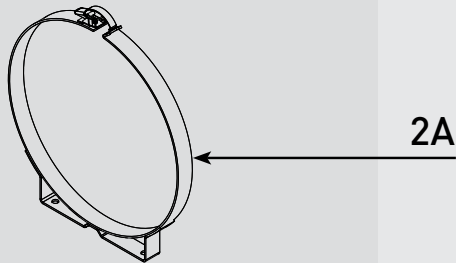
## ECO-SE Series

1



	Part #	Description
<b>1A</b>	114500001	Straight Through - (D) 6.8 in., (L) 14.2 in., (OD) 3.0 in.
	114500002	Straight Through - (D) 7.8 in., (L) 17.2 in., (OD) 4.0 in.
	114500003	Straight Through - (D) 9.7 in., (L) 18.9 in., (OD) 5.0 in.
<b>1B</b>	114880003	Side Inlet - (D) 9.7 in., (L) 19.4 in., (OD) 5.5 in., (ID) 6.0 in., (Inlet Port Location from Base) 4.0 in.
	114880005	Side Inlet - (D) 7.8 in., (L) 15.3 in., (OD) 4.5 in., (ID) 6.0 in., (Inlet Port Location from Base) 5.5 in.
<b>2A</b>	099049002	Mounting Clamp - (D) 7.9 in.
	099049003	Mounting Clamp - (D) 9.8 in.

2



Online Link  
 Disposable Engine Air Filters Product Selector



RSL0389\_CUT\_ECO-SE (03/25 Rev A)

Questions? Email: [racortech@parker.com](mailto:racortech@parker.com) Phone: 800-344-3286 News: [www.racornews.com](http://www.racornews.com)