

# Diesel Spin-On - 200 Series

# FUEL

## Specifications:

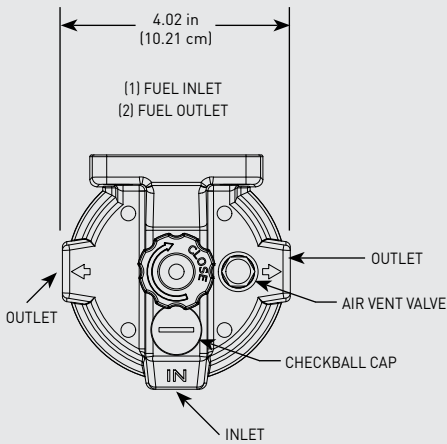
<b>Height:</b>	215: 8.3" (21.1 cm) 230: 9.0" (22.9 cm) 245: 10.5" (26.4 cm)
<b>Width:</b>	4.02" (10.21 cm)
<b>Depth:</b>	3.91" (9.93 cm)
<b>Weight (Dry):</b>	215: 1.8 lbs (0.82 kg) 230: 2.0 lbs (0.91 kg) 245: 2.2 lbs (1.0 kg)
<b>Ports:</b>	1/4-18 NPTF
<b>Service Clearance:</b>	1.25" (3.2 cm)

## Create a Part Number

Mounting Head	Flow Rating	Optional Heater	Micron Rating
Hand Primer - 3 Port	15 gph (57 lph) 30 gph (114 lph) 45 gph (170 lph)	12 volt	2 Micron 10 Micron 30 Micron
2	15R 30R 45R	12	2 10 30

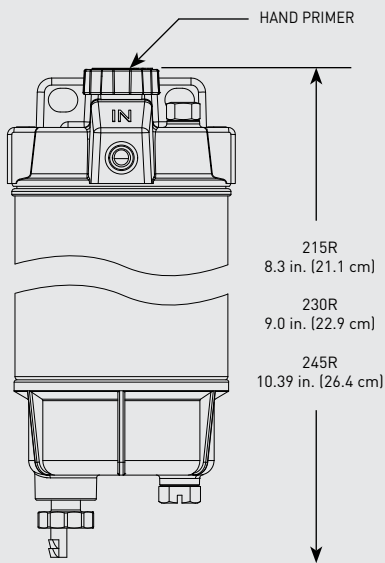
**RACOR®**

## Dimensions:

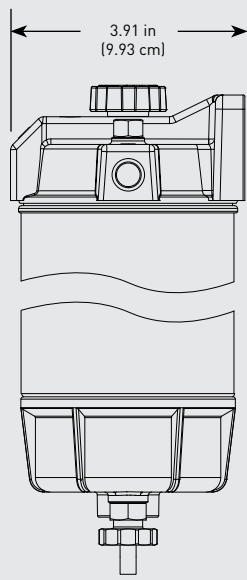


**200 Series Top**

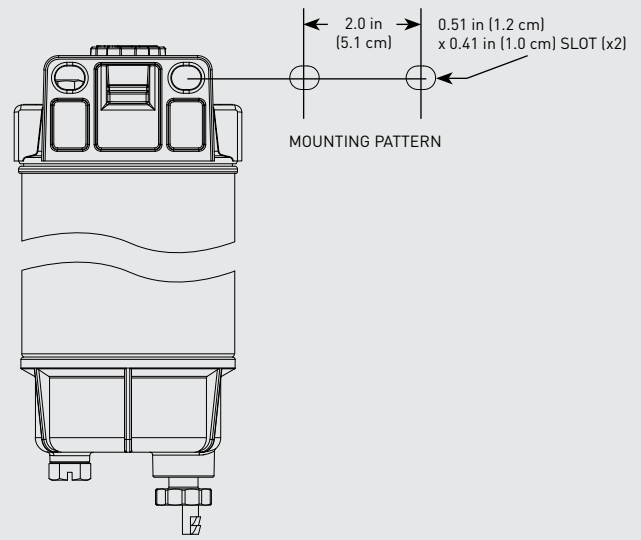
ASSEMBLIES	DESCRIPTION
215R2	FF/WS, 15 gph Flow Rate, 2 Micron Filtration, Hand Primer
215R10	FF/WS, 15 gph Flow Rate, 10 Micron Filtration, Hand Primer
215R30	FF/WS, 15 gph Flow Rate, 30 Micron Filtration, Hand Primer
215R1230	FF/WS, 15 gph Flow Rate, 30 Micron Filtration, Hand Primer, 12v Bowl Heater
230R2	FF/WS, 30 gph Flow Rate, 2 Micron Filtration, Hand Primer
230R10	FF/WS, 30 gph Flow Rate, 10 Micron Filtration, Hand Primer
230R30	FF/WS, 30 gph Flow Rate, 30 Micron Filtration, Hand Primer
230R1210	FF/WS, 30 gph Flow Rate, 10 Micron Filtration, Hand Primer, 12v Bowl Heater
230R1230	FF/WS, 30 gph Flow Rate, 30 Micron Filtration, Hand Primer, 12v Bowl Heater
245R2	FF/WS, 45 gph Flow Rate, 2 Micron Filtration, Hand Primer
245R10	FF/WS, 45 gph Flow Rate, 10 Micron Filtration, Hand Primer
245R30	FF/WS, 45 gph Flow Rate, 30 Micron Filtration, Hand Primer



**200 Series Front**



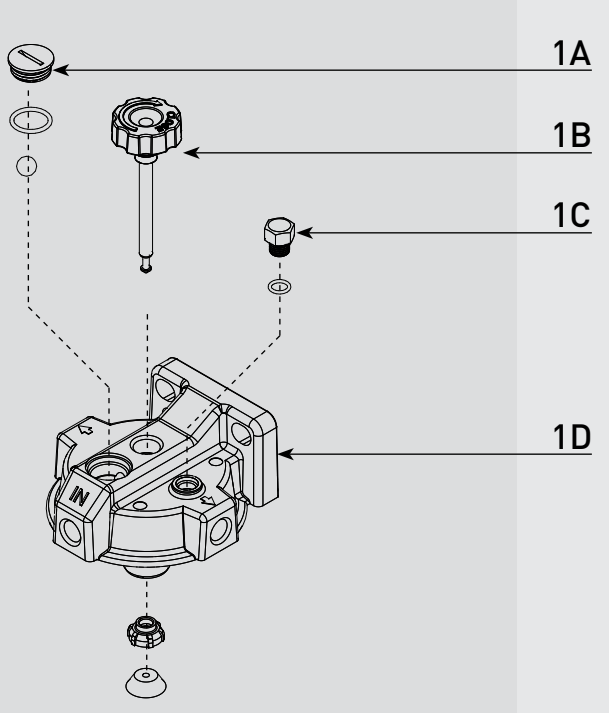
**200 Series Profile**



# PARTS

# Diesel Spin-On - 200 Series

1



Part #	Description
1A	RK20011-01 Checkball Cap/Ball Replacement Kit - <i>O-ring and checkball Included in 4A</i>
1B	RK20025-01 Plunger Pump Assembly - <i>Includes 1A, Seal Washer, Shaft O-ring, Plunger Support Ring, &amp; Pump Plunger</i>
1C	Vent Plug - <i>Included in 4A</i>
1D	200 Series Head Assembly

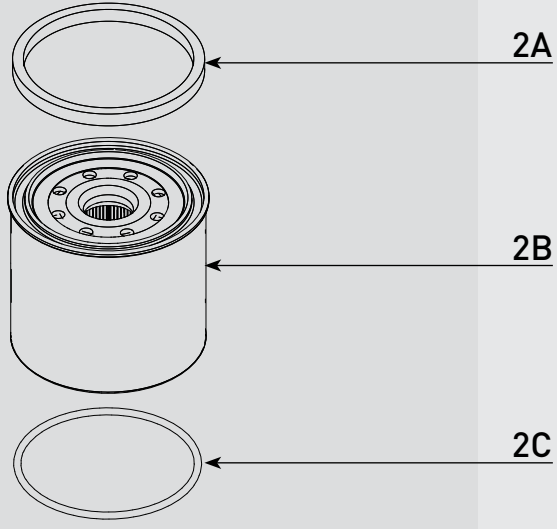
2A	Square Cut Gasket - <i>Included in 2B, &amp; 4A</i>
2B	R15S 215 Replacement Filter - 2 micron - <i>Includes 2A, 2C</i> R15T 215 Replacement Filter - 10 micron - <i>Includes 2A, 2C</i> R15P 215 Replacement Filter - 30 micron - <i>Includes 2A, 2C</i> R20S 230 Replacement Filter - 2 micron - <i>Includes 2A, 2C</i> R20T 230 Replacement Filter - 10 micron - <i>Includes 2A, 2C</i> R20P 230 Replacement Filter - 30 micron - <i>Includes 2A, 2C</i> R25S 245 Replacement Filter - 2 micron - <i>Includes 2A, 2C</i> R25T 245 Replacement Filter - 10 micron - <i>Includes 2A, 2C</i> R25P 245 Replacement Filter - 30 micron - <i>Includes 2A, 2C</i>
2C	Bowl O-ring - <i>Included in 2B, 3A, 3B &amp; 4A</i>

3A	RK 22350-02 Replacement Bowl Kit - <i>Includes 2C, 3C, and 4B</i>
3B	RK 22354-01 Heated Bowl Kit - Clear bowl with 12 vdc heater - <i>Includes 2C, 3C, 4B - Initial installations require heater relay RK 11861 - See 4E</i>
3C	Bowl Plug - <i>O-ring Included in 4A</i>

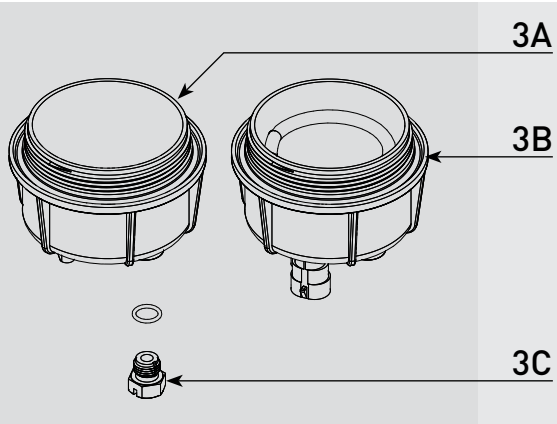
Additional Parts (not shown)

4A	RK20075-01 Complete Seal Service Kit
4B	Self-Venting Drain
4C	RK30880E WIF Sensor/Detection Kit - 1/2"-20 UNF RK33802 WIF Probe Kit (1/2"-20 SAE) - No Internal Resistor, 12/24V - <i>Requires Water Detection Amplifier See RSL7529 for available Probes, Sensors, and Amplifiers</i>
4D	RK 12870 Water Detection Module Kit - 12 vdc - <b>Includes Amplifier (Light and Buzzer) &amp; RK 21069 (WIF Probe)</b> <i>See RSL7529 for available Probes, Sensors, and Amplifiers</i>
4E	RK 11861 Heater Relay Kit - 12 Volt
4F	RK 22368 Replacement Metal Bowl Kit - Includes 2C, Metal WIF Port Plug and Metal Drain Plug

2



3



Online Link  
Diesel Spin-On Product Selector

