

Gasoline Spin-On - 660R-RAC Series

FUEL

Specifications:

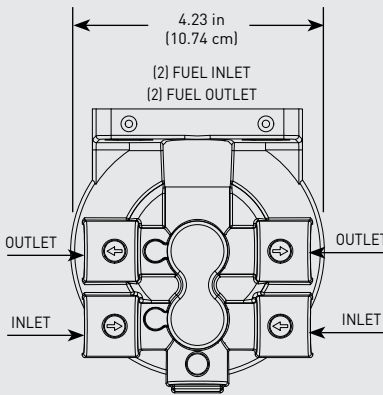
Height:	660R-RAC-01: 10.69" (27.15 cm) 660R-RAC-02: 9.96" (25.29 cm)
Width:	4.23" (10.74 cm)
Depth:	4.73" (12.01 cm)
Weight (Dry):	660R-RAC-01: 2.47 lbs (1.12 kg) 660R-RAC-02: 2.82 lbs (1.27 kg)
Fuel Flow Rate:	90 gph (341 lph)
Ports:	3/8-18 NPTF
Service Clearance:	2.0" (5.1 cm)

Create a Part Number

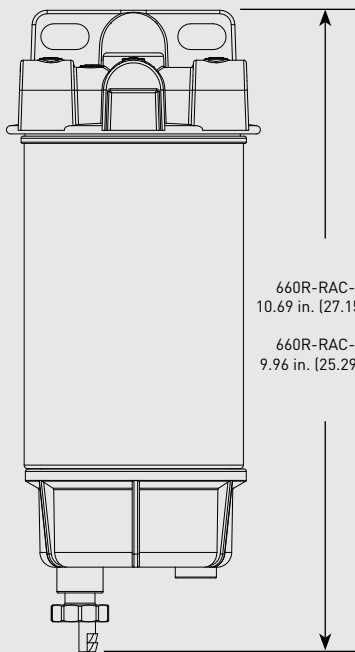
Mounting Head	4 Fuel Ports 90 gph (341 lph) Marine Gasoline	Bowl Material	Clear Bowl - Outboard Only	Metal Bowl - Inboard/Outboard
	660R-RAC		-01	-02

RACOR®

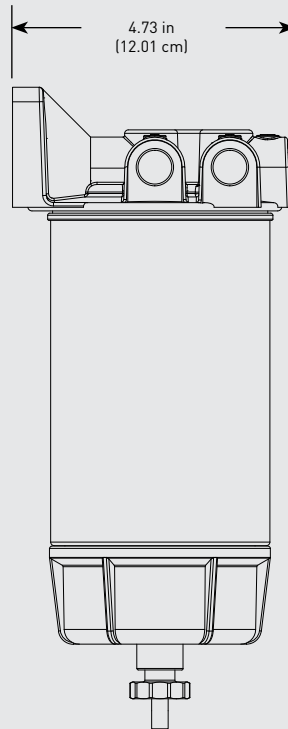
Dimensions:



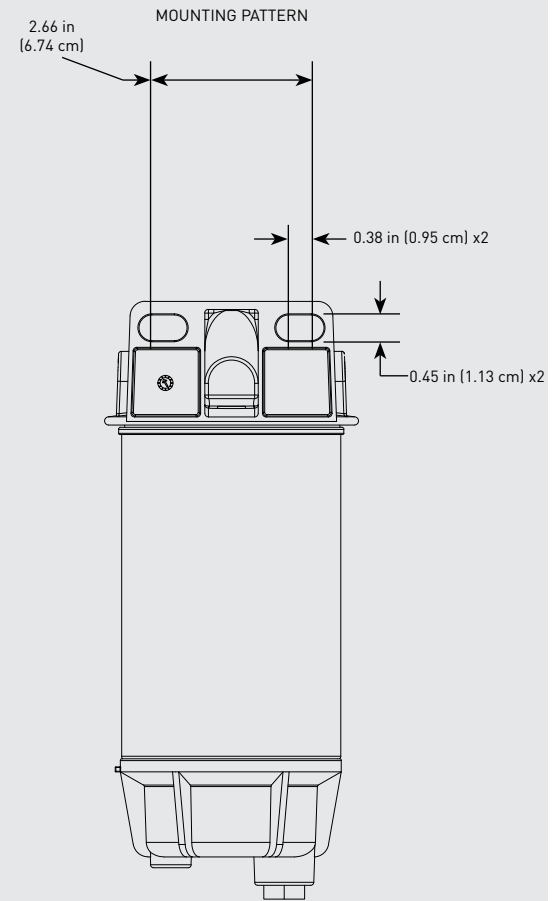
660R-RAC Series Top



660R-RAC-01 Front



660R-RAC-01 Profile



660R-RAC-02 Back

ASSEMBLIES DESCRIPTION

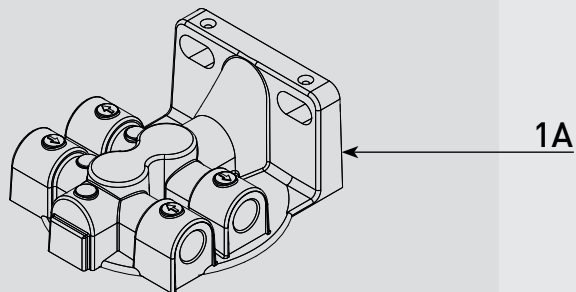
660R-RAC-01	Outboard Only - Marine Gasoline, FF/WS, Clear Bowl, 90 gph Flow Rate, 10 Micron Filtration
660R-RAC-02	Inboard/Outboard - Marine Gasoline, FF/WS, Metal Bowl, 90 gph Flow Rate, 10 Micron Filtration



PARTS

Gasoline Spin-On - 660R-RAC Series

1

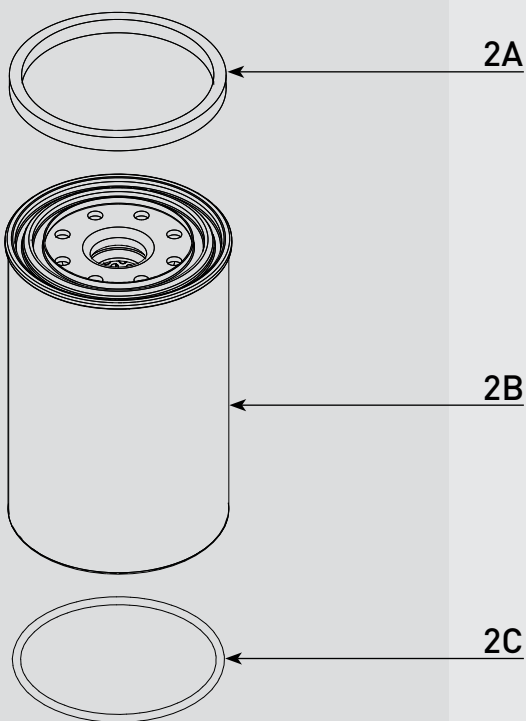


Part #	Description
1A	660 Series Head Assembly
2A	Square Cut Gasket - <i>Included in 2B</i>
2B	S3232 660R-RAC-01 Replacement Filter - 10 micron - <i>Includes 2A, 2C</i> S3232TUL 660R-RAC-02 Replacement Filter - 10 micron - <i>Includes 2A, 2C</i>
2C	Bowl O-ring - <i>Included in 2B & 3A</i>
3A	RK 30475 Replacement Clear Bowl Kit - <i>Includes 2C and 4A</i>
3B	RK 30473-02 Replacement Metal Bowl Kit - <i>Includes 2C and 3C</i>
3C	Bowl Drain Port Plug Kit - 3/8-18 NPTF Steel Hex Plug

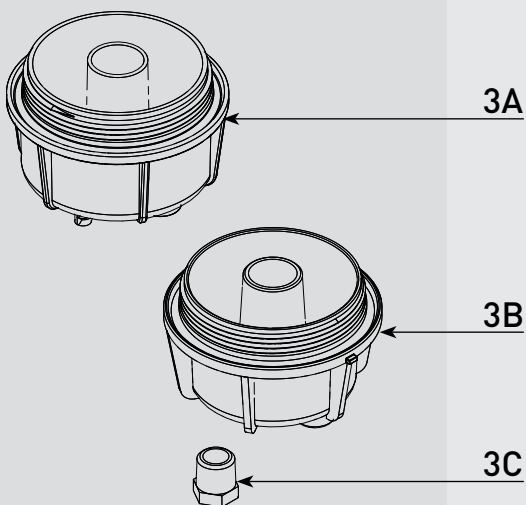
Additional Parts (not shown)

4A	Self-Venting Drain
-----------	--------------------

2



3



Online Link
Marine Fuel Spin-On Product Selector



RSL0372_CUT_SpinOn_660R-RAC-Series (03/25 Rev A)

Questions? Email: racortech@parker.com Phone: 800-344-3286 News: www.racornews.com