

# Gasoline Spin-On - 490R-RAC Series

# FUEL

## Specifications:

**Height:** 9.94" (25.25 cm)  
**Width:** 4.41" (11.2 cm)  
**Depth:** 4.73" (12.01 cm)  
**Weight (Dry):** 2.78 lbs (1.26 kg)  
**Fuel Flow Rate:** 90 gph (341 lph)  
**Ports:** 3/8"-18 NPTF  
 Assembly includes Port Plugs (X2)  
**Service Clearance:** 2.0" (5.1 cm)

Create a Part Number

**Mounting Head**

4 Fuel Ports  
 Hand Primer  
 90 gph (341 lph)  
 Marine Gasoline

490R-RAC

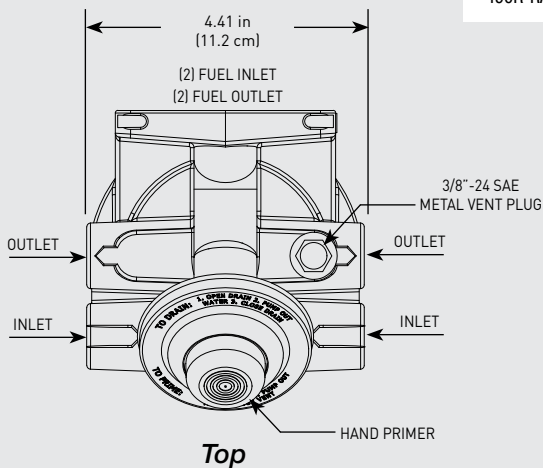
**Bowl Material**

Clear Bowl -  
 Outboard Only

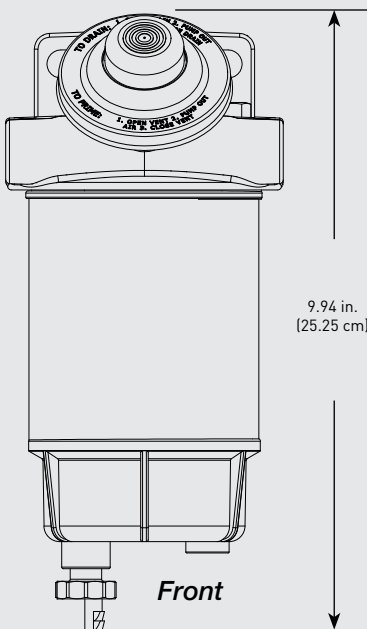
-01

**RACOR®**

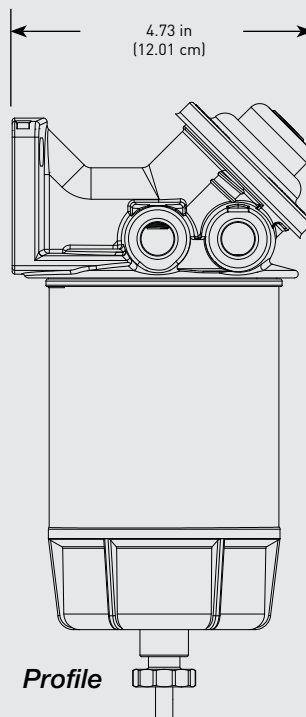
## Dimensions:



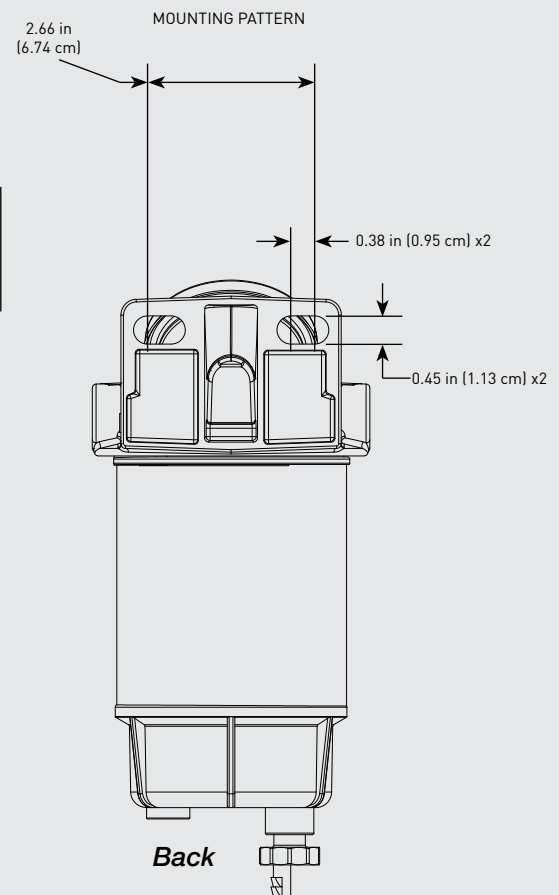
Top



Front



Profile



Back

## ASSEMBLIES DESCRIPTION

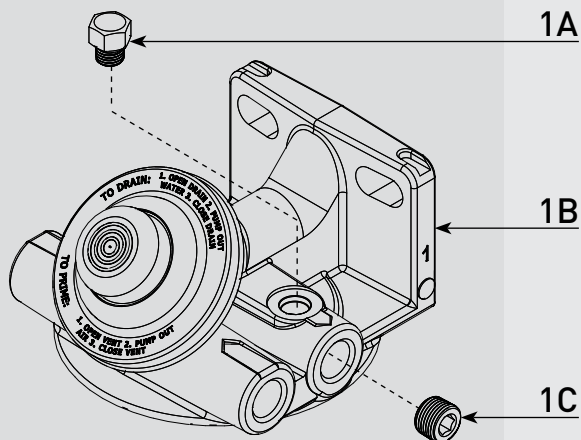
490R-RAC-01 Outboard Only - Marine Gasoline, Hand Primer, FF/WS, Clear Bowl, 90 gph Flow Rate, 10 Micron Filtration



# PARTS

## Gasoline Spin-On - 490R-RAC Series

1



Part #	Description
1A	RK 10110 Metal Vent Plug Kit (3/8"-24 SAE)
1B	490 Series Head Assembly - <b>OUTBOARD USE ONLY</b>
1C	Metal Plug (3/8"-18 NPTF)

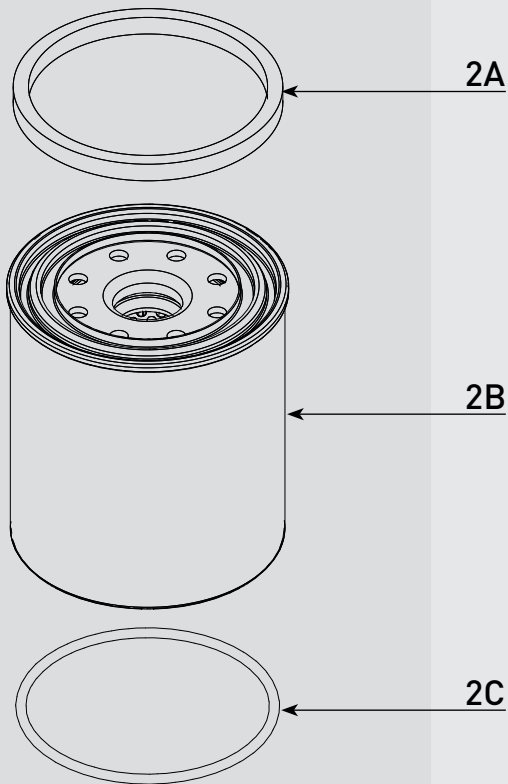
2A	Square Cut Gasket - <i>Included in 2B</i>
2B	S3227 Also Available 490R-RAC-01 Replacement Filter - 10 micron - <i>Includes 2A, 2C</i> <b>NOTE: Use of UL labeled elements does not allow for inboard application.</b> S3228SUL Replacement Filter - 2 micron - <i>Includes 2A, 2C</i> S3228TUL Replacement Filter - 10 micron - <i>Includes 2A, 2C</i>
2C	Bowl O-ring - <i>Included in 2B &amp; 3A</i>

3A	RK 30475 Replacement Clear Bowl Kit - <i>Includes 2C and 4A</i>
----	---

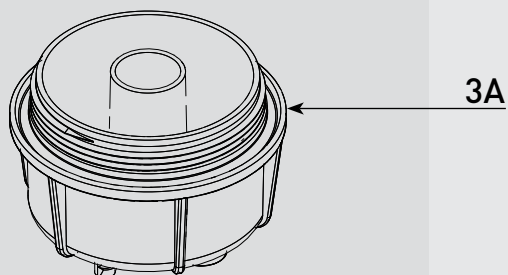
### Additional Parts (not shown)

4A	Self-Venting Drain
4B	RK 30473-02 Replacement Metal Bowl Kit - <i>Includes 2C and 4C</i> <b>NOTE: Use of metal bowl does not allow for inboard application.</b>
4C	Bowl Drain Port Plug Kit - 3/8"-18 NPTF Steel Hex Plug

2



3



Online Link  
Marine Fuel Spin-On Product Selector



RSL0371\_CUT\_SpinOn\_490R-RAC-Series (03/25 Rev A)

Questions? Email: [racortech@parker.com](mailto:racortech@parker.com) Phone: 800-344-3286 News: [www.racornews.com](http://www.racornews.com)