

Diesel Spin-On - 600 Series

FUEL

Specifications:

Height: 645: 8.13" (20.7 cm)
 660: 9.88" (25.1 cm)
 690: 10.88" (27.6 cm)
 6120: 14.2" (36.07 cm)
 6125: 13.9" (35.3 cm)

Width: 4.48" (11.38 cm)

Depth: 4.61" (11.7 cm)

Ports: 3/8-18 NPTF

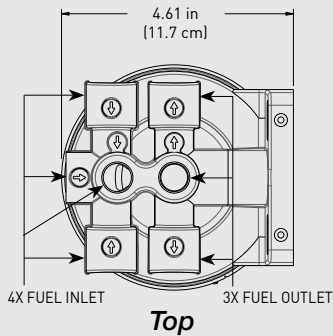
Service Clearance: 2.0" (5.1 cm)

Create a Part Number

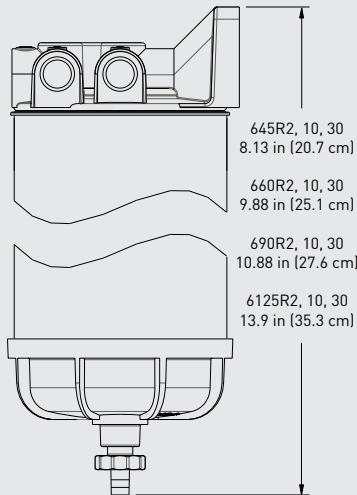
Mounting Head	Flow Rating				Heater (Optional)		Micron Rating		
	Multi-port - 7 Port	45 gph (170 lph) - Standard Bowl	60 gph (227 lph) - Standard Bowl	90 gph (341 lph) - Standard Bowl	120 gph (454 lph) - Deep Bowl	12 volt Heater	24 volt Heater	2 Micron	10 Micron
6	45R	60R	90R	120R	12	24	2	10	30

RACOR®

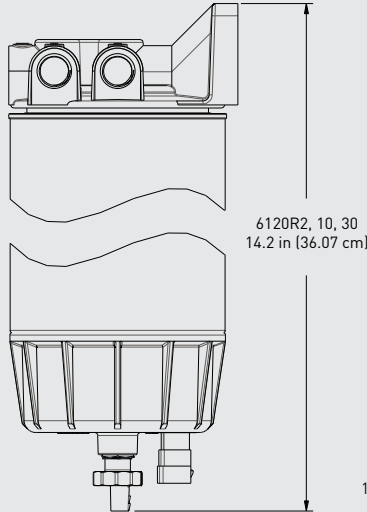
Dimensions:



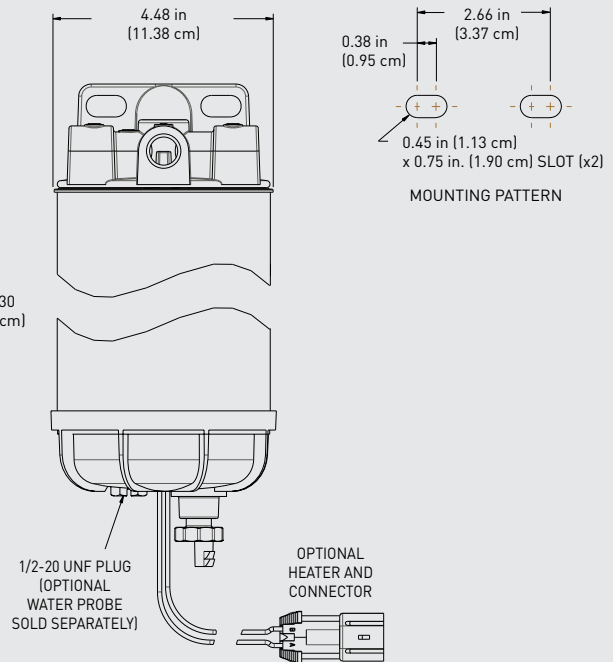
ASSEMBLIES	DESCRIPTION
645R10, 645R30	FF/WS, 45 gph Flow Rate, 2, 10, or 30 Micron Filtration
660R10, 660R30	FF/WS, 60 gph Flow Rate, 10, or 30 Micron Filtration
660R1210	FF/WS, 60 gph Flow Rate, 12 volt Heater, 10 Micron Filtration
690R2, 690R10, 690R30	FF/WS, 90 gph Flow Rate, 2, 10, or 30 Micron Filtration
6120R2	FF/WS, Deep Bowl, 120 gph Flow Rate, 2 Micron Filtration
6120R1210	FF/WS, Deep Bowl, 120 gph Flow Rate, 12 volt Heater, 2, or 10 Micron Filtration



645R, 660R, 690R,
6125 Profile



6120R Profile

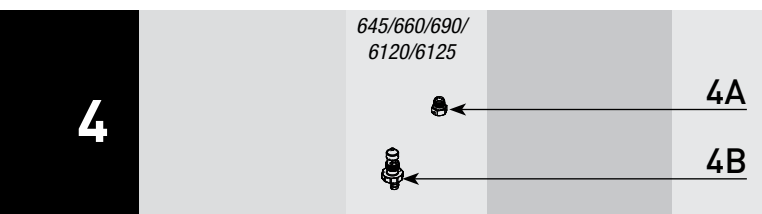
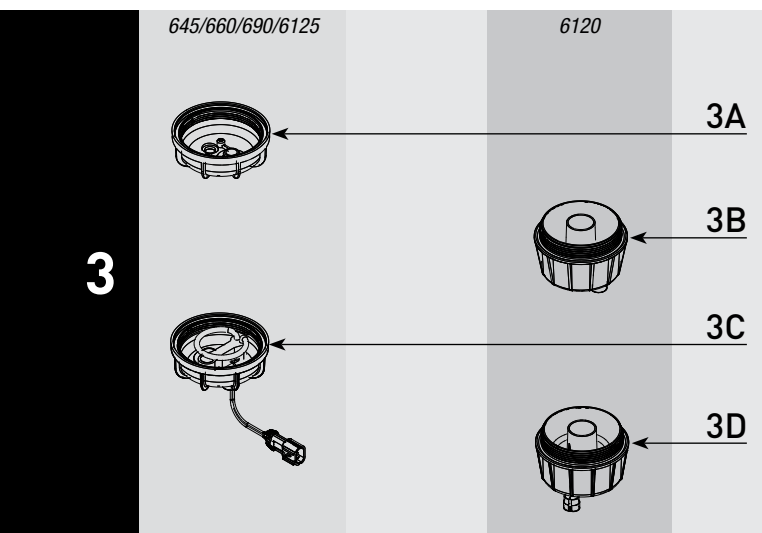
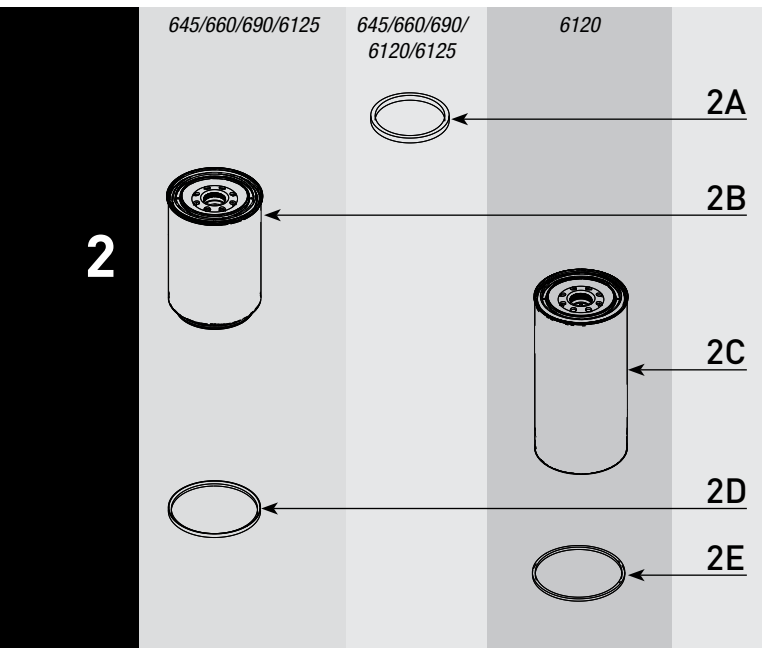
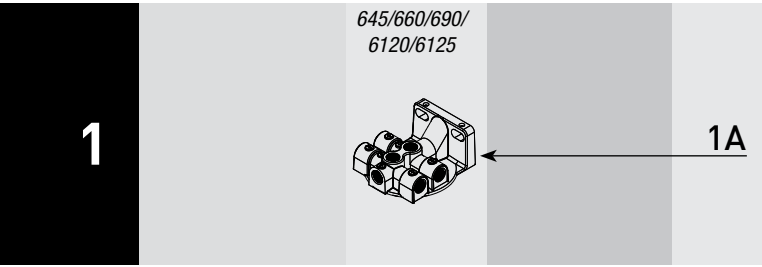


Front



PARTS

Diesel Spin-On - 600 Series



Part #	Description
1A	Mounting Head Kit - 3/8"-18 NPTF Ports

2A	Filter Gasket - <i>Included in 2B or 2C</i>
-----------	---

2B	R45S 645 Replacement Filter - 2 micron - <i>Includes 2A, 2D</i> R45T 645 Replacement Filter - 10 micron - <i>Includes 2A, 2D</i> R45P 645 Replacement Filter - 30 micron - <i>Includes 2A, 2D</i> R60S 660 Replacement Filter - 2 micron - <i>Includes 2A, 2D</i> R60T 660 Replacement Filter - 10 micron - <i>Includes 2A, 2D</i> R60P 660 Replacement Filter - 30 micron - <i>Includes 2A, 2D</i> R90S 690 Replacement Filter - 2 micron - <i>Includes 2A, 2D</i> R90T 690 Replacement Filter - 10 micron - <i>Includes 2A, 2D</i> R90P 690 Replacement Filter - 30 micron - <i>Includes 2A, 2D</i> R125T 6125 Replacement Filter - 10 micron - <i>Includes 2A, 2D</i> R125P 6125 Replacement Filter - 30 micron - <i>Includes 2A, 2D</i>
-----------	--

2C	R120S 6120 Replacement Filter - 2 micron - <i>Includes 2A, 2E</i> R120T 6120 Replacement Filter - 10 micron - <i>Includes 2A, 2E</i> R120P 6120 Replacement Filter - 30 micron - <i>Includes 2A, 2E</i>
-----------	--

2D	Bowl Gasket - <i>Included in 2B, 3A, or 3C</i>
-----------	--

2E	Bowl Gasket - <i>Included in 2C, 3B, or 3D</i>
-----------	--

3A	RK21113-01 Clear Bowl Kit (645/660/690/6125) - <i>Includes 2D, 4A, & 4B</i> RK21113-02 Clear Bowl & WIF Sensor Kit (645/660/690/6125) - <i>Includes 2D, 4B, & 5A</i>
-----------	---

3B	RK 30063 Deep Clear Bowl Kit (4120) - <i>Includes 2E, 4A, & 4B</i>
-----------	---

3C	RK21113-12-10 Heated Bowl Kit (645/660/690/6125) - Clear bowl with 12 vdc heater - <i>Includes 2D, 4B, 5A - Initial installations require heater relay RK 11861 - See 5C</i> RK21113-24-10 Heated Bowl Kit (645/660/690/6125) - Clear bowl with 24 vdc heater - <i>Includes 2D, 4B, 5A - Initial installations require heater relay RK 11862 - See 5C</i>
-----------	--

3D	RK 30900 Heated Bowl Kit (6120)- Clear bowl with 12 vdc heater - <i>Includes 2E, 4A, 4B - Initial installations require heater relay RK 11861 - See 5C</i> RK 30925 Heated Bowl Kit (6120) - Clear bowl with 24 vdc heater - <i>Includes 2E, 4A, 4B - Initial installations require heater relay RK 11862 - See 5C</i>
-----------	---

4A	RK 20126 WIF Port Plug Kit (1/2"-20 SAE)
-----------	---

4B	Self-Venting Drain Kit
-----------	------------------------

Additional Parts (not shown)

5A	RK30880E WIF Sensor/Detection Kit - 1/2"-20 UNF RK33802 Replacement WIF Probe (1/2"-20 SAE) - No Internal Resistor, 12/24V - <i>Requires Water Detection Amplifier</i> <i>See RSL7529 for available Probes, Sensors, and Amplifiers</i>
-----------	---

5B	RK 11-1570 Water Detection Module Kit - 12 or 24 vdc - Includes Amplifier (Light and Buzzer) & RK 21069 (WIF Probe) <i>See RSL7529 for available Probes, Sensors, and Amplifiers</i>
-----------	---

5C	RK 11861 Heater Relay Kit - 12 Volt RK 11862 Heater Relay Kit - 24 Volt
-----------	--

Online Link
Diesel Spin-On Product Selector



RSL0367_CUT_SpinOn_600-Series (03/25 Rev C)

Questions? Email: racortech@parker.com Phone: 800-344-3286 News: www.racornews.com