

Specifications:

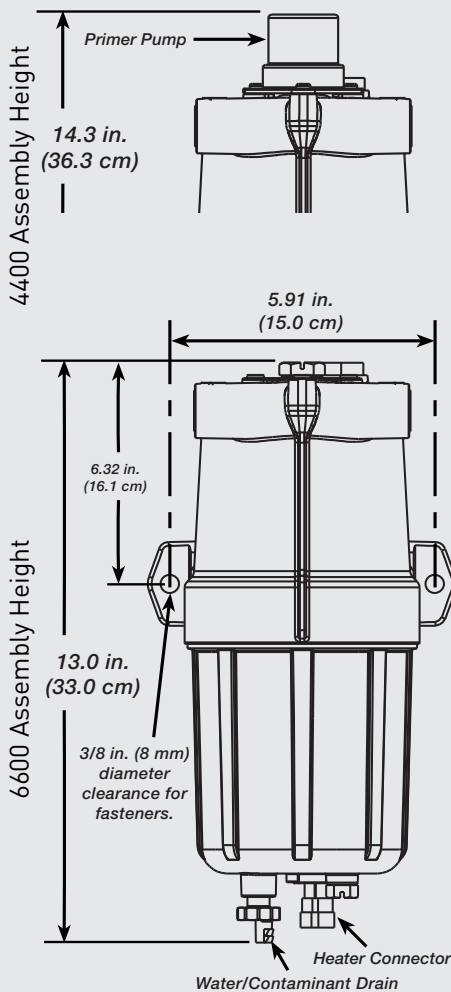
- Suction-side installations only
- Fuel Ports: 7/8"-14 UNF (SAE J1926)
- Return Fuel Heat Fittings: 8 SAE 45° Flare (3/4"-16)
- Max. Flow Rate: 150 GPH (568 LPH)
- Clean Pressure Drop (@150 GPH): 0.5 PSI (0.03 bar)
- Max. Allowable Pressure: 30 PSI (2.07 bar)
- Bowl Capacity: 10.1 oz (300 ml)
- Ambient Temp. Range: -22° to +212°F (-30° to +100°C), Max. Fuel Temp: 158°F (70°C)
- Fuel compatibility: diesel fuel per ASTM D975 and biodiesel blends up to B20 per ASTM D7467

Create a Part Number

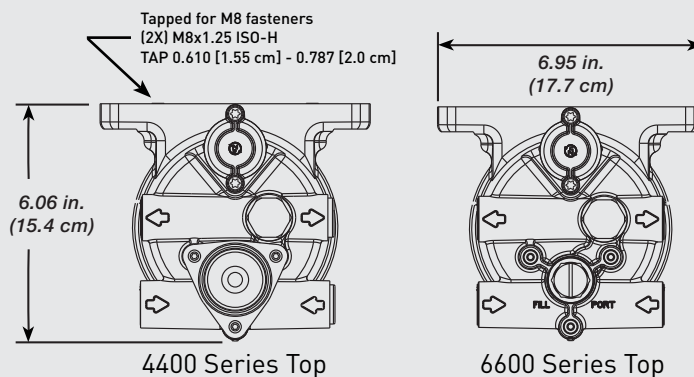
Priming Type	Primer Pump	44
	Fill Port	66
Bowl Length	Long	00
	Short	60
R - Racor	R	R
Optional Bowl Heater	12 Volt	12
	24 Volt	24
Micron Rating	2 micron	02
	10 micron	10
	30 micron	30
	Depth Coalescer*	DC
Optional RFH Valve	Return Fuel Heat	-01

* DC - Meets 2017 Cummins Specifications

Dimensions:



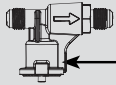
ASSEMBLY	DESCRIPTION
4400R02, 4400R10, 4400R30	FF/WS, W/Hand Primer Pump, 2, 10, or 30 Micron
4400RDC	FF/WS, W/Hand Primer Pump, Depth Coalescer
4400R1202, 4400R1210, 4400R1230	FF/WS, W/Hand Primer Pump, 12VDC in bowl heater, 2, 10, or 30 Micron
4400R12DC	FF/WS, W/Hand Primer Pump, 12VDC in bowl heater, Depth Coalescer
4400R2402, 4400R2410, 4400R2430	FF/WS, W/Hand Primer Pump, 24VDC in bowl heater, 2, 10, or 30 Micron
4400R24DC	FF/WS, W/Hand Primer Pump, 24VDC in bowl heater, Depth Coalescer
4400R1210-01	FF/WS, W/Hand Primer Pump, 12VDC Bowl Heater, 10 Micron, Return Fuel Heat
4400R2410-01	FF/WS, W/Hand Primer Pump, 24VDC Bowl Heater, 10 Micron, Return Fuel Heat
4460R02, 4460R10	FF/WS, W/Hand Primer Pump, Short Bowl, 2 or 10 Micron
4460R1202, 4460R1210	FF/WS, W/Hand Primer Pump, Short Bowl with 12VDC heater, 2 or 10 Micron
4460R2402, 4460R2410	FF/WS, W/Hand Primer Pump, Short Bowl with 24VDC heater, 2 or 10 Micron
6600R02, 6600R10, 6600R30	FF/WS, 2, 10, or 30 Micron
6600RDC	FF/WS, Depth Coalescer
6600R1202, 6600R1210, 6600R1230	FF/WS, 12VDC in bowl heater, 2, 10, or 30 Micron
6600R2402, 6600R2410, 6600R2430	FF/WS, 24VDC in bowl heater, 2, 10, or 30 Micron
6600R1210-01	FF/WS, 12VDC Bowl Heater, 10 Micron, Return Fuel Heat
6600R2410-01	FF/WS, 24VDC Bowl Heater, 10 Micron, Return Fuel Heat
6660R02, 6660R10	FF/WS, Short Bowl, 2 or 10 Micron
6660R1202, 6660R1210	FF/WS, Short Bowl with 12VDC heater, 2 or 10 Micron
6660R2402, 6660R2410	FF/WS, Short Bowl with 24VDC heater, 2 or 10 Micron



PARTS

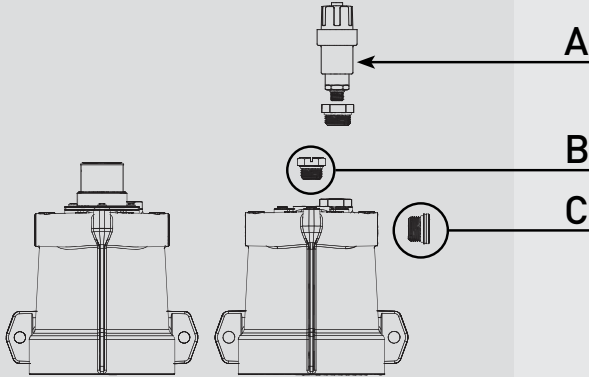
GreenMAX Series

1



A

2

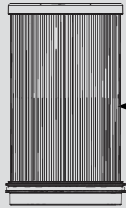


A

B

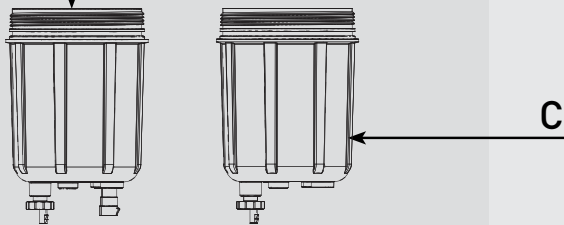
C

3



A

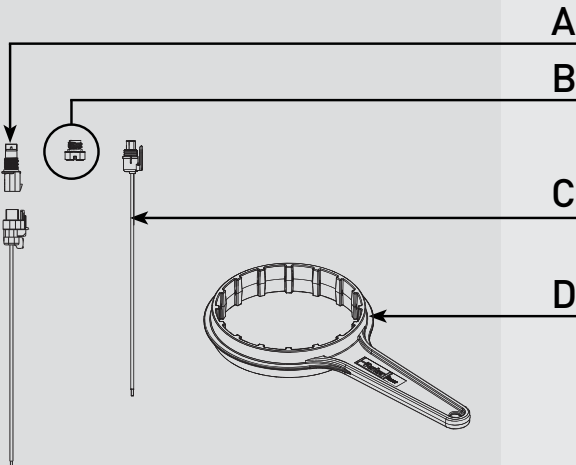
4



A/B

C

5



A

B

C

D

Part #		Description
1A	RK6165804	Engine Return Fuel Heat Kit
2A	RK32036-01	Fuel Filter Restriction Indicator Kit
2B	RK22100	Fill Port Plug Kit (6600 Assy)
2C	RK61713	Fuel Port Plug Replacement Kit
3A	R61691S	Element Assembly, GreenMAX 2 Micron
	R61691T	Element Assembly, GreenMAX 10 Micron
	R61691P	Element Assembly, GreenMAX 30 Micron
	R61762	Element Assembly, GreenMAX Depth Coalescer
4A	RK6166312	Clear Bowl Kit, 12VDC Heater - Relay Needed: RK 11861
4B	RK6166324	Clear Bowl Kit, 24VDC Heater - Relay Needed: RK 11862
4C	RK6166301	Clear Bowl Kit, No Heater
5A	RK30880E	WIF Sensor/Amplifier and Harness Assembly, 12/24V
	RK 55484	WIF Sensor Cummins ECU - 1216200 Delphi Packard Connector - 220K ohm, 12/24V
	RK56235	WIF Sensor 1216200 Delphi Packard Connector - 220K ohm Internal Resistor, 12/24V
	RK33801	WIF Sensor Cummins ISC03/ISL03 - No Connector - 82.5K ohm Internal Resistor, 12/24V
	RK33802	WIF Sensor Aftermarket - No Connector - No Internal Resistor, 12/24V
	RK55725	WIF Sensor Cummins ECU - DT042P-E003 Deutsch Connector - 82.5K ohm Internal Resistor, 12/24V
	RK55726	WIF Sensor Onan -DT042P-E003 Deutsch Connector - 82.5K ohm Internal Resistor, 12/24V
	RK56237	WIF Sensor Daimler - 1205641 Delphi Packard Connector - 220K ohm Internal Resistor, 12/24V
5B		WIF Plug Kit (Bowl)
5C	RK 30876	Heater Connector Kit
5D	PFRK61730	Bowl Wrench

Additional parts not shown	
RK 11861	Heater Relay Kit - 12VDC (includes 25 amp fuse)
RK 11862	Heater Relay Kit - 24VDC (includes 15 amp fuse)
RK 14329	Water Detection Module; 12VDC Sends (+) hot signal when WIF sensor grounds - requires relay to power lamp or horn if greater than 1 amp draw - WIF sensor, relay, lamp or horn not included
RK 14321	Water Detection Module; 24VDC Sends (+) hot signal when WIF sensor grounds - requires relay to power lamp or horn if greater than 1 amp draw - WIF sensor, relay, lamp or horn not included
14332	Water Detection Module; 12VDC Sends (-) ground signal when WIF sensor grounds - requires relay to power lamp or horn if greater than 1 amp draw - WIF sensor, relay, lamp or horn not included