

Diesel Spin-On - 490RPDC Series

FUEL

Specifications:

Height: 11.66" (29.61 cm)

Width: 4.39" (11.15 cm)

Depth: 4.79" (12.17 cm)

Ports: 3/4-16 UNF

Max Flow Rate: 90 gph (360 lph)

Max Operating Pressure: 15 PSI (103 kPa)

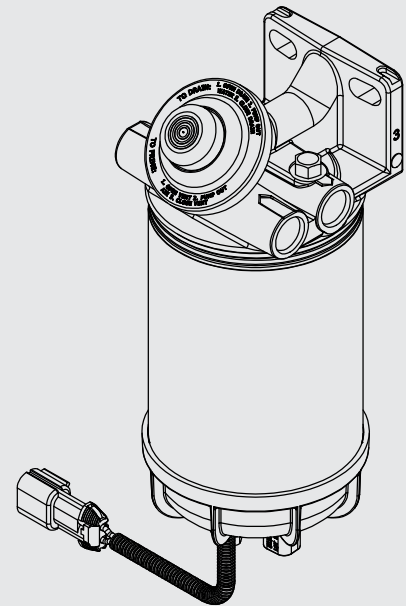
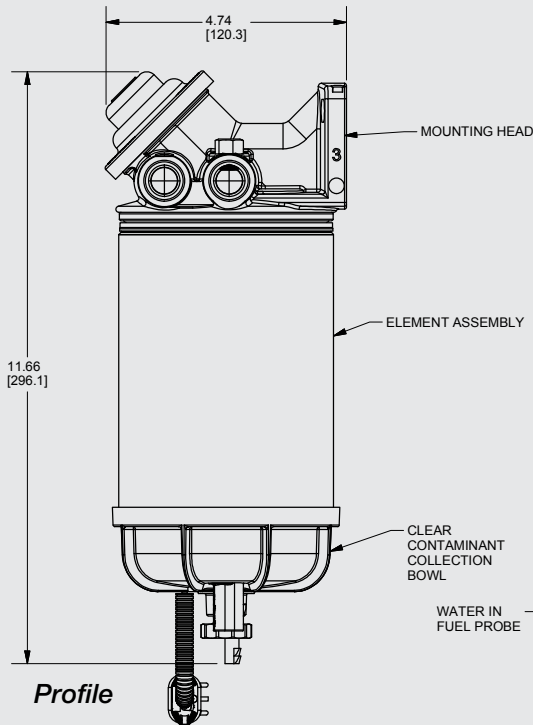
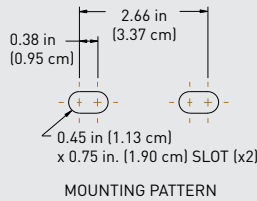
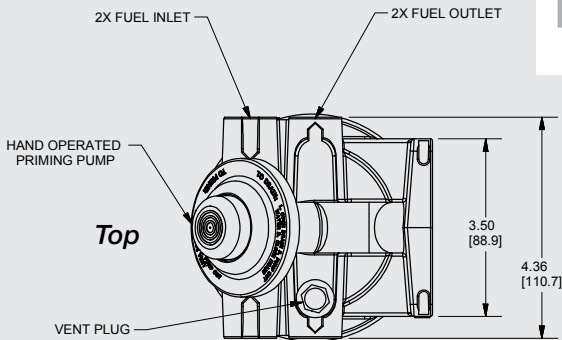
Service Clearance: 2.0" (5.1 cm)

**Can be used with post 2017 ISL & ISB engines*

Create a Part Number

Mounting Head	Hand Primer - 4 Port
Flow Rating	90 gph (34.1 lph)
Probe	Water-in-Fuel Probe
Filtration Type	Depth Coalescer
Heater (Optional)	12 volt Heater 24 volt Heater
	4 90R P DC 12 24

Dimensions:



NOTE: BOWL ORIENTATION MAY VARY

ASSEMBLIES	DESCRIPTION
490RPDC	FF/WS, Hand Primer, WIF Probe, Depth Coalescing Filtration
490RPDC12	FF/WS, Hand Primer, WIF Probe, Depth Coalescing Filtration, 12 volt Heater
490RPDC24	FF/WS, Hand Primer, WIF Probe, Depth Coalescing Filtration, 24 volt Heater

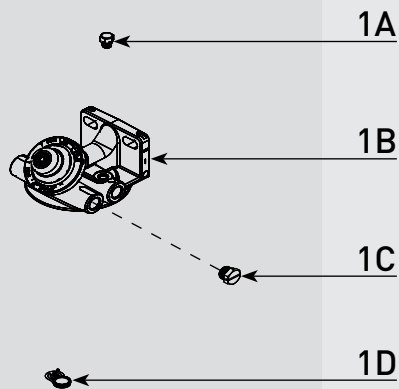


RACOR®

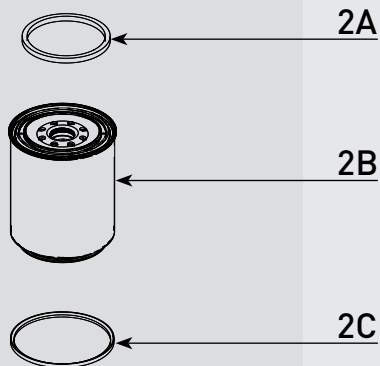
PARTS

Diesel Spin-On - 490RPDC Series

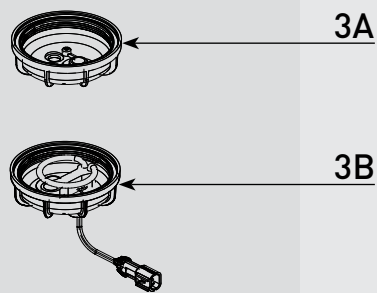
1



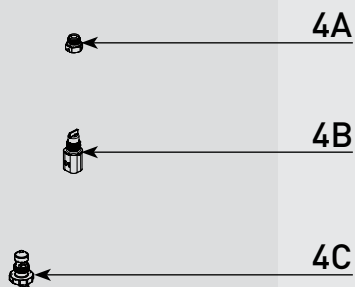
2



3



4



Part #		Description
1A	RK 10110	Metal Vent Plug Kit (3/8"-24 SAE)
1B	RK 22168	Mounting Head Kit - 3/4"-16 SAE Ports
1C		Fuel Port Plug (3/4"-16 SAE)
1D	RK 22798	Hand Primer Bypass Valve Kit
2A		Filter Gasket - <i>Included in 2B</i>
2B	R90DCM	490 Replacement Filter - Depth Coalescer - <i>Includes 2A & 2C</i>
2C		Bowl Gasket - <i>Included in 2B, 3A, & 3B</i>
3A	RK21113-01	Clear Bowl & Port Plug Kit - <i>Includes 2C, 4A, & 4C</i>
3B	RK21113-12-01	Heated Bowl Kit - Clear bowl with 12 vdc heater - <i>Includes 2C, 4A, & 4C - Initial installations require heater relay RK 11861 - See 5A</i>
	RK21113-24-01	Heated Bowl Kit - Clear bowl with 24 vdc heater - <i>Includes 2C, 4A, & 4C - Initial installations require heater relay RK 11862 - See 5A</i>
4A	RK 20126	WIF Port Plug Kit (1/2"-20 SAE) - <i>Included in 3A, & 3B</i>
4B	RK51522-02	Replacement WIF Probe (1/2"-20 SAE) - 82.5 KOHM, 12/24V
4C		Self-Venting Drain Kit - <i>Included in 3A, & 3B</i>

Additional Parts (not shown)

5A	RK 11861	Heater Relay Kit - 12 Volt
	RK 11862	Heater Relay Kit - 24 Volt