

Diesel Spin-On - 400 Series

FUEL

Specifications:

Height: 445: 8.83" (22.4 cm)
 460: 10.55" (26.8 cm)
 490: 11.55" (29.3 cm)
 4120: 14.83" (37.7 cm)
 4125: 14.17" (35.9 cm)

Width: 4.39" (11.15 cm)

Depth: 4.79" (12.17 cm)

Ports: 445, 460, 490:
 3/8-18 NPTF

4120, 4125:
 3/4-16 UNF-2B

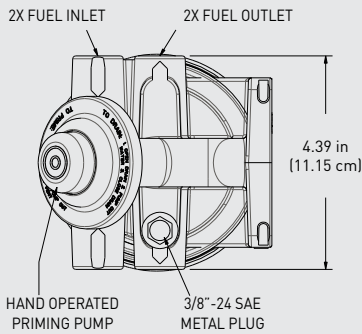
Service Clearance: 2.0" (5.1 cm)

Create a Part Number

Mounting Head	Flow Rating	Heater (Optional)	Micron Rating
Hand Primer - 4 Port	45 gph (170 lph) - Standard Bowl	12 volt Heater	2 Micron
	60 gph (227 lph) - Standard Bowl	24 volt Heater	10 Micron
	90 gph (341 lph) - Standard Bowl		30 Micron
	120 gph (454 lph) - Deep Bowl		
	120 gph (454 lph) - Standard Bowl		
4	45R 60R 90R 120R 125R	12 24	2 10 30

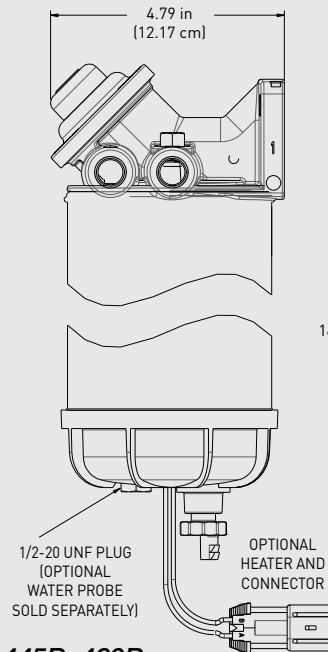
RACOR®

Dimensions:

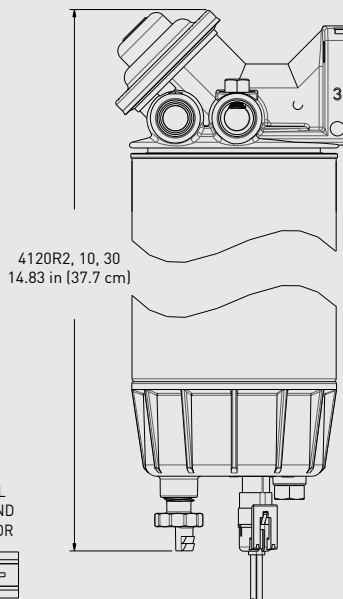


Top

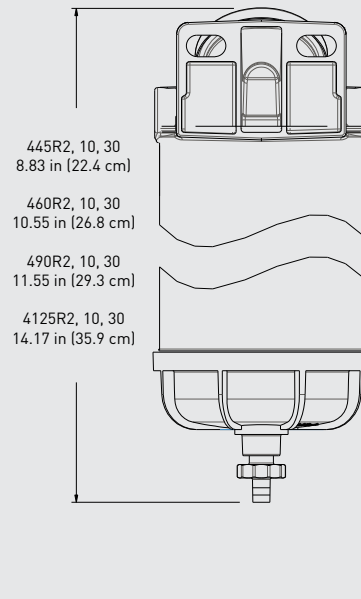
ASSEMBLIES	DESCRIPTION
445R2, 445R10, 445R30	FF/WS, Hand Primer, 45 gph Flow Rate, 2, 10, or 30 Micron Filtration
445R1230	FF/WS, Hand Primer, 45 gph Flow Rate, 12 volt Heater, 30 Micron Filtration
460R2, 460R10, 460R30	FF/WS, Hand Primer, 60 gph Flow Rate, 2, 10, or 30 Micron Filtration
460R1230	FF/WS, Hand Primer, 60 gph Flow Rate, 12 volt Heater, 30 Micron Filtration
460R2430	FF/WS, Hand Primer, 60 gph Flow Rate, 24 volt Heater, 30 Micron Filtration
490R2, 490R10, 490R30	FF/WS, Hand Primer, 90 gph Flow Rate, 2, 10, or 30 Micron Filtration
490R1210, 490R1230	FF/WS, Hand Primer, 90 gph Flow Rate, 12 volt Heater, 2, 10, or 30 Micron Filtration
490R2410	FF/WS, Hand Primer, 90 gph Flow Rate, 24 volt Heater, 10 Micron Filtration
4125R10	FF/WS, Hand Primer, 120 gph Flow Rate, 10 Micron Filtration
4120R10, 4120R30	FF/WS, Hand Primer, Deep Bowl, 120 gph Flow Rate, 10, or 30 Micron Filtration
4120R1230	FF/WS, Hand Primer, Deep Bowl, 120 gph Flow Rate, 12 volt Heater, 30 Micron Filtration



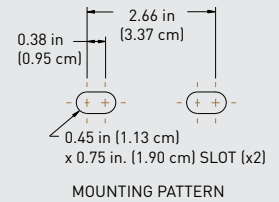
445R, 460R,
 490R, 4125R Profile



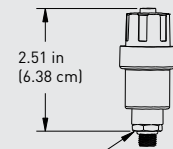
4120R Profile



Back



MOUNTING PATTERN



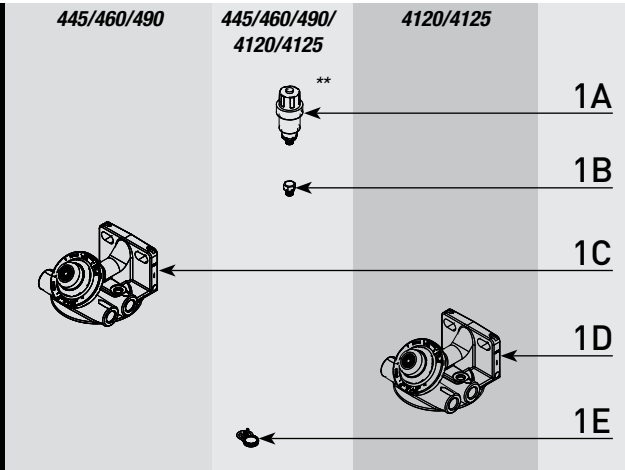
FILTER RESTRICTION INDICATOR
 SUPPLIED WITH UNIT
 (INSTALLED BY CUSTOMER)



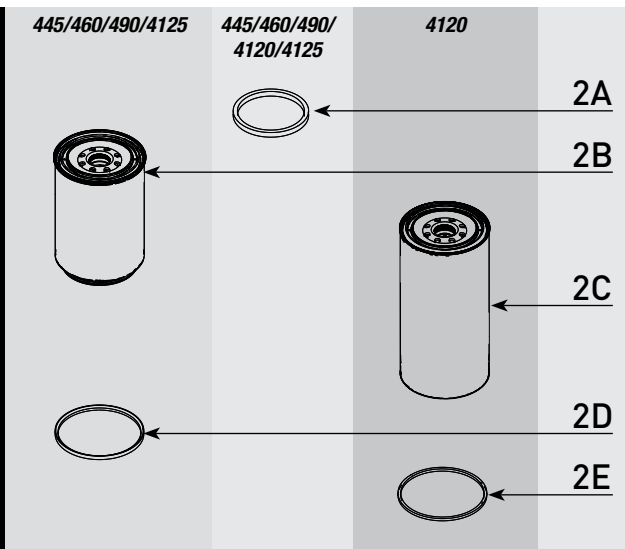
PARTS

Diesel Spin-On - 400 Series

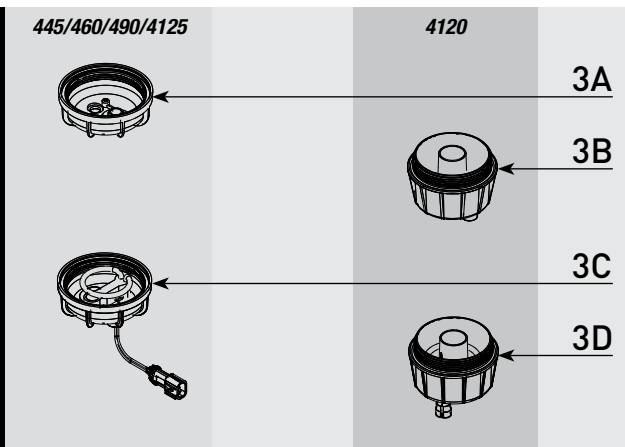
1



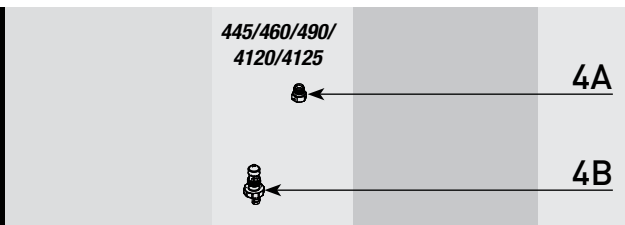
2



3



4



Part #	Description
1A	RK 32036 Fuel Restriction Indicator 3/8" SAE Threads **
1B	RK 10110 Metal Vent Plug Kit (3/8"-24 SAE)
1C	Mounting Head Kit (445/460/490) - 3/8"-18 NPTF Ports
1D	Mounting Head Kit (4120/4125) - 3/4"-16 SAE Ports
1E	RK 22798 Hand Primer Bypass Valve Kit

2A	Filter Gasket - <i>Included in 2B or 2C</i>																						
2B	<table border="0"> <tr><td>R45S</td><td>445 Replacement Filter - 2 micron - <i>Includes 2A, 2D</i></td></tr> <tr><td>R45T</td><td>445 Replacement Filter - 10 micron - <i>Includes 2A, 2D</i></td></tr> <tr><td>R45P</td><td>445 Replacement Filter - 30 micron - <i>Includes 2A, 2D</i></td></tr> <tr><td>R60S</td><td>460 Replacement Filter - 2 micron - <i>Includes 2A, 2D</i></td></tr> <tr><td>R60T</td><td>460 Replacement Filter - 10 micron - <i>Includes 2A, 2D</i></td></tr> <tr><td>R60P</td><td>460 Replacement Filter - 30 micron - <i>Includes 2A, 2D</i></td></tr> <tr><td>R90S</td><td>490 Replacement Filter - 2 micron - <i>Includes 2A, 2D</i></td></tr> <tr><td>R90T</td><td>490 Replacement Filter - 10 micron - <i>Includes 2A, 2D</i></td></tr> <tr><td>R90P</td><td>490 Replacement Filter - 30 micron - <i>Includes 2A, 2D</i></td></tr> <tr><td>R125T</td><td>4125 Replacement Filter - 10 micron - <i>Includes 2A, 2D</i></td></tr> <tr><td>R125P</td><td>4125 Replacement Filter - 30 micron - <i>Includes 2A, 2D</i></td></tr> </table>	R45S	445 Replacement Filter - 2 micron - <i>Includes 2A, 2D</i>	R45T	445 Replacement Filter - 10 micron - <i>Includes 2A, 2D</i>	R45P	445 Replacement Filter - 30 micron - <i>Includes 2A, 2D</i>	R60S	460 Replacement Filter - 2 micron - <i>Includes 2A, 2D</i>	R60T	460 Replacement Filter - 10 micron - <i>Includes 2A, 2D</i>	R60P	460 Replacement Filter - 30 micron - <i>Includes 2A, 2D</i>	R90S	490 Replacement Filter - 2 micron - <i>Includes 2A, 2D</i>	R90T	490 Replacement Filter - 10 micron - <i>Includes 2A, 2D</i>	R90P	490 Replacement Filter - 30 micron - <i>Includes 2A, 2D</i>	R125T	4125 Replacement Filter - 10 micron - <i>Includes 2A, 2D</i>	R125P	4125 Replacement Filter - 30 micron - <i>Includes 2A, 2D</i>
R45S	445 Replacement Filter - 2 micron - <i>Includes 2A, 2D</i>																						
R45T	445 Replacement Filter - 10 micron - <i>Includes 2A, 2D</i>																						
R45P	445 Replacement Filter - 30 micron - <i>Includes 2A, 2D</i>																						
R60S	460 Replacement Filter - 2 micron - <i>Includes 2A, 2D</i>																						
R60T	460 Replacement Filter - 10 micron - <i>Includes 2A, 2D</i>																						
R60P	460 Replacement Filter - 30 micron - <i>Includes 2A, 2D</i>																						
R90S	490 Replacement Filter - 2 micron - <i>Includes 2A, 2D</i>																						
R90T	490 Replacement Filter - 10 micron - <i>Includes 2A, 2D</i>																						
R90P	490 Replacement Filter - 30 micron - <i>Includes 2A, 2D</i>																						
R125T	4125 Replacement Filter - 10 micron - <i>Includes 2A, 2D</i>																						
R125P	4125 Replacement Filter - 30 micron - <i>Includes 2A, 2D</i>																						
2C	<table border="0"> <tr><td>R120S</td><td>4120 Replacement Filter - 2 micron - <i>Includes 2A, 2E</i></td></tr> <tr><td>R120T</td><td>4120 Replacement Filter - 10 micron - <i>Includes 2A, 2E</i></td></tr> <tr><td>R120P</td><td>4120 Replacement Filter - 30 micron - <i>Includes 2A, 2E</i></td></tr> </table>	R120S	4120 Replacement Filter - 2 micron - <i>Includes 2A, 2E</i>	R120T	4120 Replacement Filter - 10 micron - <i>Includes 2A, 2E</i>	R120P	4120 Replacement Filter - 30 micron - <i>Includes 2A, 2E</i>																
R120S	4120 Replacement Filter - 2 micron - <i>Includes 2A, 2E</i>																						
R120T	4120 Replacement Filter - 10 micron - <i>Includes 2A, 2E</i>																						
R120P	4120 Replacement Filter - 30 micron - <i>Includes 2A, 2E</i>																						
2D	Bowl Gasket - <i>Included in 2B, 3A, or 3C</i>																						
2E	Bowl Gasket - <i>Included in 2C, 3B, or 3D</i>																						

3A	<table border="0"> <tr><td>RK21113-01</td><td>Clear Bowl Kit (445/460/490/4125) - <i>Includes 2D, 4A, & 4B</i></td></tr> <tr><td>RK21113-02</td><td>Clear Bowl & WIF Sensor Kit (445/460/490/4125) - <i>Includes 2D, 4B, & 5A</i></td></tr> </table>	RK21113-01	Clear Bowl Kit (445/460/490/4125) - <i>Includes 2D, 4A, & 4B</i>	RK21113-02	Clear Bowl & WIF Sensor Kit (445/460/490/4125) - <i>Includes 2D, 4B, & 5A</i>
RK21113-01	Clear Bowl Kit (445/460/490/4125) - <i>Includes 2D, 4A, & 4B</i>				
RK21113-02	Clear Bowl & WIF Sensor Kit (445/460/490/4125) - <i>Includes 2D, 4B, & 5A</i>				
3B	RK 30063 Deep Clear Bowl Kit (4120) - <i>Includes 2E, 4A, & 4B</i>				
3C	<table border="0"> <tr><td>RK21113-12-10</td><td>Heated Bowl Kit (445/460/490/4125) - Clear bowl with 12 vdc heater - <i>Includes 2D, 4B, 5A - Initial installations require heater relay RK 11861 - See 5C</i></td></tr> <tr><td>RK21113-24-10</td><td>Heated Bowl Kit (445/460/490/4125) - Clear bowl with 24 vdc heater - <i>Includes 2D, 4B, 5A - Initial installations require heater relay RK 11862 - See 5C</i></td></tr> </table>	RK21113-12-10	Heated Bowl Kit (445/460/490/4125) - Clear bowl with 12 vdc heater - <i>Includes 2D, 4B, 5A - Initial installations require heater relay RK 11861 - See 5C</i>	RK21113-24-10	Heated Bowl Kit (445/460/490/4125) - Clear bowl with 24 vdc heater - <i>Includes 2D, 4B, 5A - Initial installations require heater relay RK 11862 - See 5C</i>
RK21113-12-10	Heated Bowl Kit (445/460/490/4125) - Clear bowl with 12 vdc heater - <i>Includes 2D, 4B, 5A - Initial installations require heater relay RK 11861 - See 5C</i>				
RK21113-24-10	Heated Bowl Kit (445/460/490/4125) - Clear bowl with 24 vdc heater - <i>Includes 2D, 4B, 5A - Initial installations require heater relay RK 11862 - See 5C</i>				
3D	<table border="0"> <tr><td>RK 30900</td><td>Heated Bowl Kit (4120) - Clear bowl with 12 vdc heater - <i>Includes 2E, 4A, 4B - Initial installations require heater relay RK 11861 - See 5C</i></td></tr> <tr><td>RK 30925</td><td>Heated Bowl Kit (4120) - Clear bowl with 24 vdc heater - <i>Includes 2E, 4A, 4B - Initial installations require heater relay RK 11862 - See 5C</i></td></tr> </table>	RK 30900	Heated Bowl Kit (4120) - Clear bowl with 12 vdc heater - <i>Includes 2E, 4A, 4B - Initial installations require heater relay RK 11861 - See 5C</i>	RK 30925	Heated Bowl Kit (4120) - Clear bowl with 24 vdc heater - <i>Includes 2E, 4A, 4B - Initial installations require heater relay RK 11862 - See 5C</i>
RK 30900	Heated Bowl Kit (4120) - Clear bowl with 12 vdc heater - <i>Includes 2E, 4A, 4B - Initial installations require heater relay RK 11861 - See 5C</i>				
RK 30925	Heated Bowl Kit (4120) - Clear bowl with 24 vdc heater - <i>Includes 2E, 4A, 4B - Initial installations require heater relay RK 11862 - See 5C</i>				

4A	RK 20126 WIF Port Plug Kit (1/2"-20 SAE)
4B	Self-Venting Drain Kit

Additional Parts (not shown)

5A	<table border="0"> <tr><td>RK30880E</td><td>WIF Sensor/Detection Kit - 1/2"-20 UNF</td></tr> <tr><td>RK33802</td><td>Replacement WIF Probe (1/2"-20 SAE) - No Internal Resistor, 12/24V - <i>Requires Water Detection Amplifier</i> <i>See RSL7529 for available Probes, Sensors, and Amplifiers</i></td></tr> </table>	RK30880E	WIF Sensor/Detection Kit - 1/2"-20 UNF	RK33802	Replacement WIF Probe (1/2"-20 SAE) - No Internal Resistor, 12/24V - <i>Requires Water Detection Amplifier</i> <i>See RSL7529 for available Probes, Sensors, and Amplifiers</i>
RK30880E	WIF Sensor/Detection Kit - 1/2"-20 UNF				
RK33802	Replacement WIF Probe (1/2"-20 SAE) - No Internal Resistor, 12/24V - <i>Requires Water Detection Amplifier</i> <i>See RSL7529 for available Probes, Sensors, and Amplifiers</i>				
5B	RK 11-1570 Water Detection Module Kit - 12 or 24 vdc - <i>Includes Amplifier (Light and Buzzer) & RK 21069 (WIF Probe)</i> <i>See RSL7529 for available Probes, Sensors, and Amplifiers</i>				
5C	<table border="0"> <tr><td>RK 11861</td><td>Heater Relay Kit - 12 Volt</td></tr> <tr><td>RK 11862</td><td>Heater Relay Kit - 24 Volt</td></tr> </table>	RK 11861	Heater Relay Kit - 12 Volt	RK 11862	Heater Relay Kit - 24 Volt
RK 11861	Heater Relay Kit - 12 Volt				
RK 11862	Heater Relay Kit - 24 Volt				



Online Link
Diesel Spin-On Product Selector

** Note: Not for use in gasoline applications

RSL0366_CUT_SpinOn_400-Series (03/25 Rev C)

Questions? Email: racortech@parker.com Phone: 800-344-3286 News: www.racornews.com