

Turbine Series - 75500MAX-MAXM

FUEL

Specifications:

Height: MAX/MAXP 11.5" (29.21 cm)
MAXM 10.58" (29.08 cm)

Width: 14.5" (36.8 cm) with Bracket

Depth: 9.88" (25.1 cm) with Bracket

Weight: 17.0 lbs (7.7 kg)

Ports: 3/4"-16 UNF-2B
(SAE J1926 O-ring Boss)

Service Clearance (Top): 4.0" (10.16 cm)

Vacuum Installation Recommended
Maximum Pressure: 15 psi (1.03 bar)

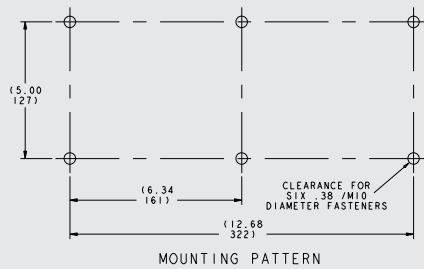
Max Flow Rate: 120 gph (454 lph)

Create a Part Number

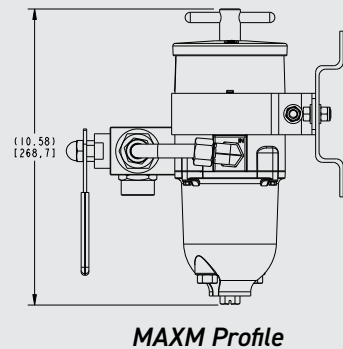
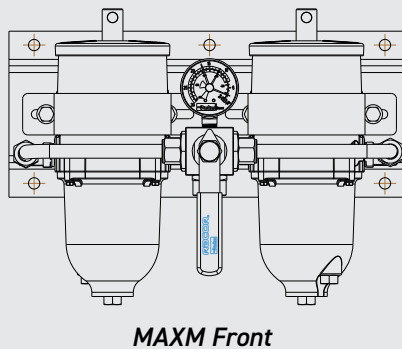
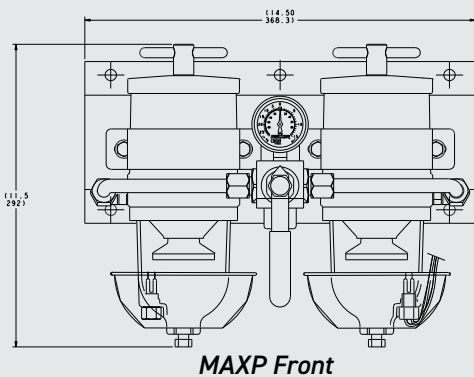
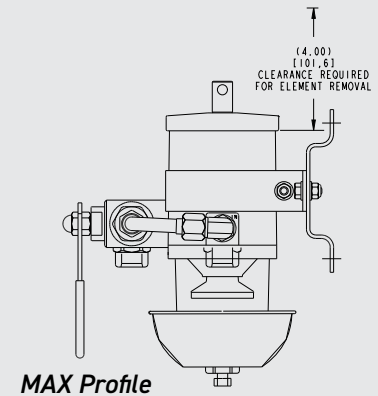
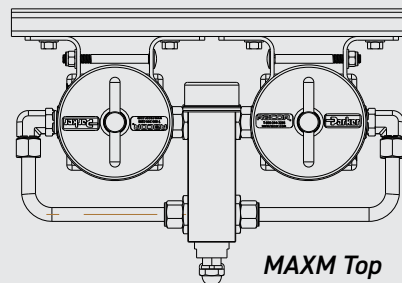
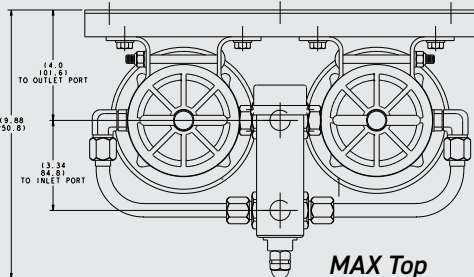
Housing Type	Dual Assembly	75
Filtration Model	Turbine Model 60/120 GPH Flow Rate	500MA
Valve Type	6 Port Valve	X
Assembly Options	Metal Bowl Option WIF Probe Option	M P
Filtration Rating	2 micron 10 micron 30 micron	2 10 30

RACOR®

Dimensions:



ASSEMBLY	DESCRIPTION
75500MAX2	Marine - Dual 500 Turbine Assy., 2 micron Filter
75500MAX10	Marine - Dual 500 Turbine Assy., 10 micron Filter
75500MAX30	Marine - Dual 500 Turbine Assy., 30 micron Filter
75500MAXM2	Marine - Metal Bowl - Dual 500 Turbine Assy., 2 micron Filter
75500MAXM10	Marine - Metal Bowl - Dual 500 Turbine Assy., 10 micron Filter
75500MAXM30	Marine - Metal Bowl - Dual 500 Turbine Assy., 30 micron Filter
75500MAXP30	Marine - Dual 500 Turbine Assy., Water Sensor Probe, 30 micron Filter



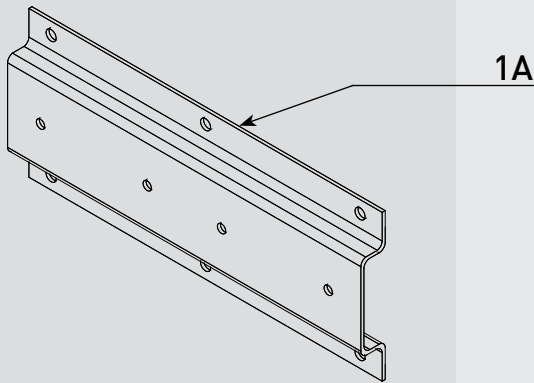
DUAL ASSEMBLIES



PARTS

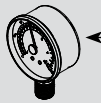
Turbine Series - 75500MAX-MAXM

1



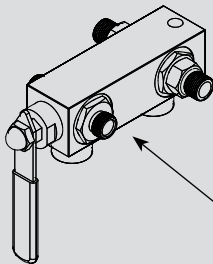
1A

2



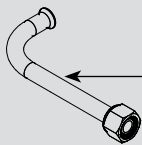
2A

3



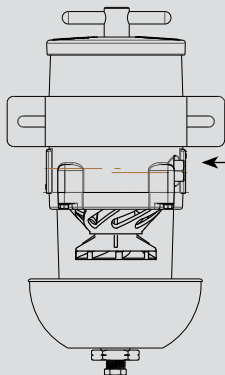
3A

4



4A

5



5A

See RSL0289
For 500MA/MAM
Parts Breakdown

Part #	Description
1A	Mounting Bracket
2A	RK19669 Vacuum Gauge (30" Hg) - 3 needles: Theshold (red), Max Change Out (Red - Adjustable), Gauge (Black) RK19667 <i>Optional</i> - Compound Gauge Kit (Vacuum 30" HG / Pressure 15psi)
3A	RK 15390 6-Port Ball Valve - 1.5 in. Body RK 15419 Valve Rebuild Kit - For 2.0 in. Valve Body Only
4A	Rigid Tubing
5A	Turbine Fuel Filter - 500MA/MAM Series See Cutsheet RSL0289 for available Parts and Accessories

Accessories and Parts Available (Not Shown)

6A	RK 15211	Complete Seal Service Kit - 500 Series Filters (<i>Requires 2</i>)
6B	RK 21069	WIF Probe Kit - 1/2"-20 UNF - 2-wire (MA) - Requires 6C
	RK23191	WIF Probe Kit (Stainless Steel) - 1/2"-20 UNF - 2-wire (MAM) - Requires 6C
6C	RK 14329	Water Detection Module - 12 vdc
	RK 14321	Water Detection Module - 24 vdc
7A		Bowl Gasket - Included in 6A
7B	RK 15279-01	Bowl Kit (Clear) - Includes 7A, 8A and Drain Seal/Gasket
7C	RK 15301-02	Bowl Kit (Metal) - Includes 7A, 8B, 9C and 10B
8A	RK 20126	Bowl Plug Kit (MA) - Nylon - 1/2"-20 UNF
8B	RK 20022	Bowl Plug Kit (MAM) - Metal - 1/2"-20 UNF
9A	RK 11-1910	Drain Plug Kit (MA)
9B	RK 15104	Heat Deflector (MA) - Includes 9A
9C		Drain Plug (MAM) - <i>Contact Technical Support</i>
10A	RK 15035-01	Bowl Ring - (For MA Only - White) Includes 7A
10B	RK 15081	Bowl Fasteners (set of 4)
11A	2010SM-OR	Replacement Element 2 micron
	2010TM-OR	Replacement Element 10 micron
	2010PM-OR	Replacement Element 30 micron

Valve Operations

