

Turbine Series - 500FG

FUEL

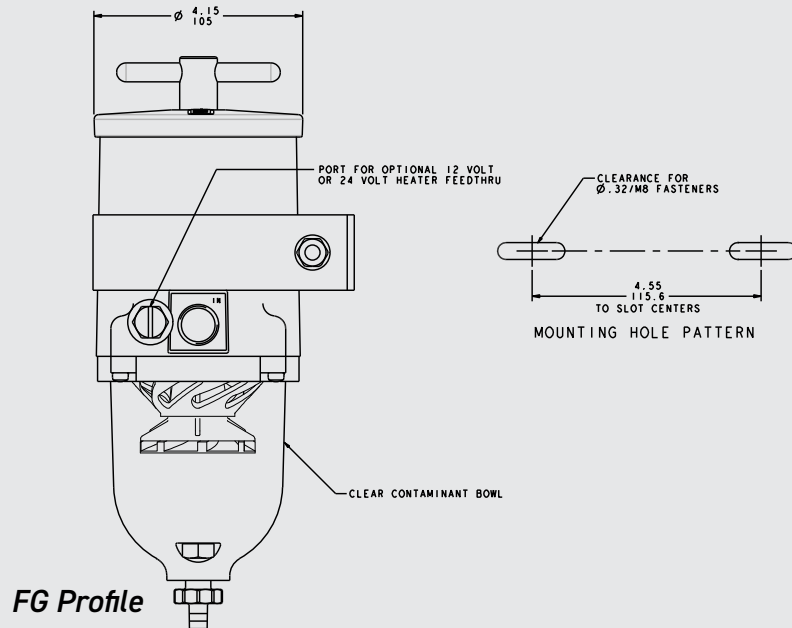
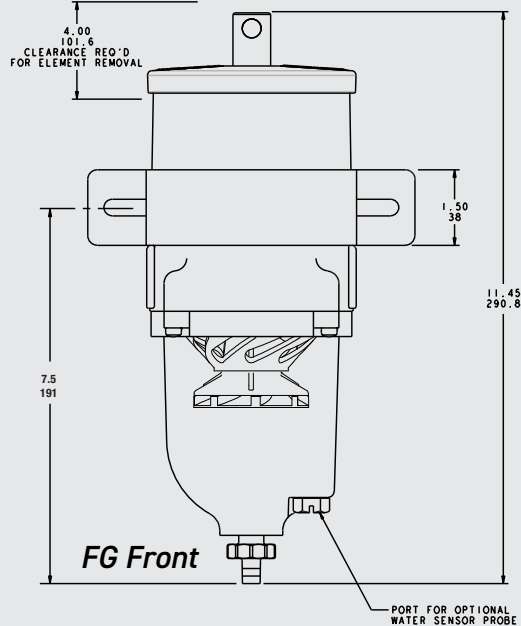
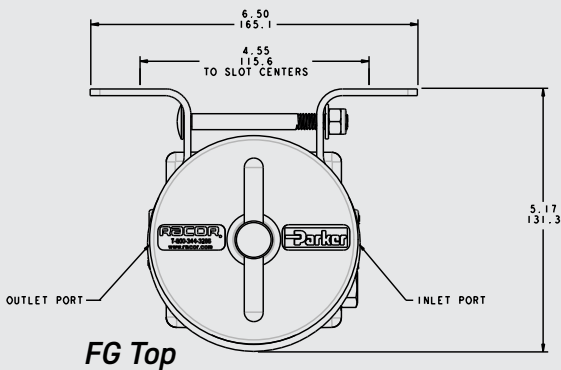
Specifications: Diesel Applications

Height: 11.45" (29.08 cm)
Width: 4.15" (10.5 cm)
 with Bracket 6.5" (16.51 cm)
Depth: 4.15" (10.5 cm)
 with Bracket 5.17" (13.13 cm)
Dry Weight: 4.0 lbs (1.8 kg)
Ports: 3/4"-16 UNF (SAE J1926)
Service Clearance (Top): 4.0" (10.16 cm)
Vacuum Installation Recommended
Maximum Head Pressure: 15 psi (1.03 bar)
Max Flow Rate: 60 gph (227 lph)

Create a Part Number

Housing Type	Heater Option	Filtration Rating
Turbine Model Standard 3/4"-16 Ports	12 VDC Heater (100 watt) 24 VDC Heater (100 watt)	2 micron 10 micron 30 micron
500FG	12 24	2 10 30

Dimensions:



ASSEMBLY	DESCRIPTION
500FG2	500 Turbine Assy., 2 micron Filter
500FG10	500 Turbine Assy., 10 micron Filter
500FG30	500 Turbine Assy., 30 micron Filter
500FG1230	500 Turbine Assy., 12VDC Heater, 30 micron Filter
500FG242	500 Turbine Assy., 24VDC Heater, 2 micron Filter
500FG2430	500 Turbine Assy., 24VDC Heater, 30 micron Filter

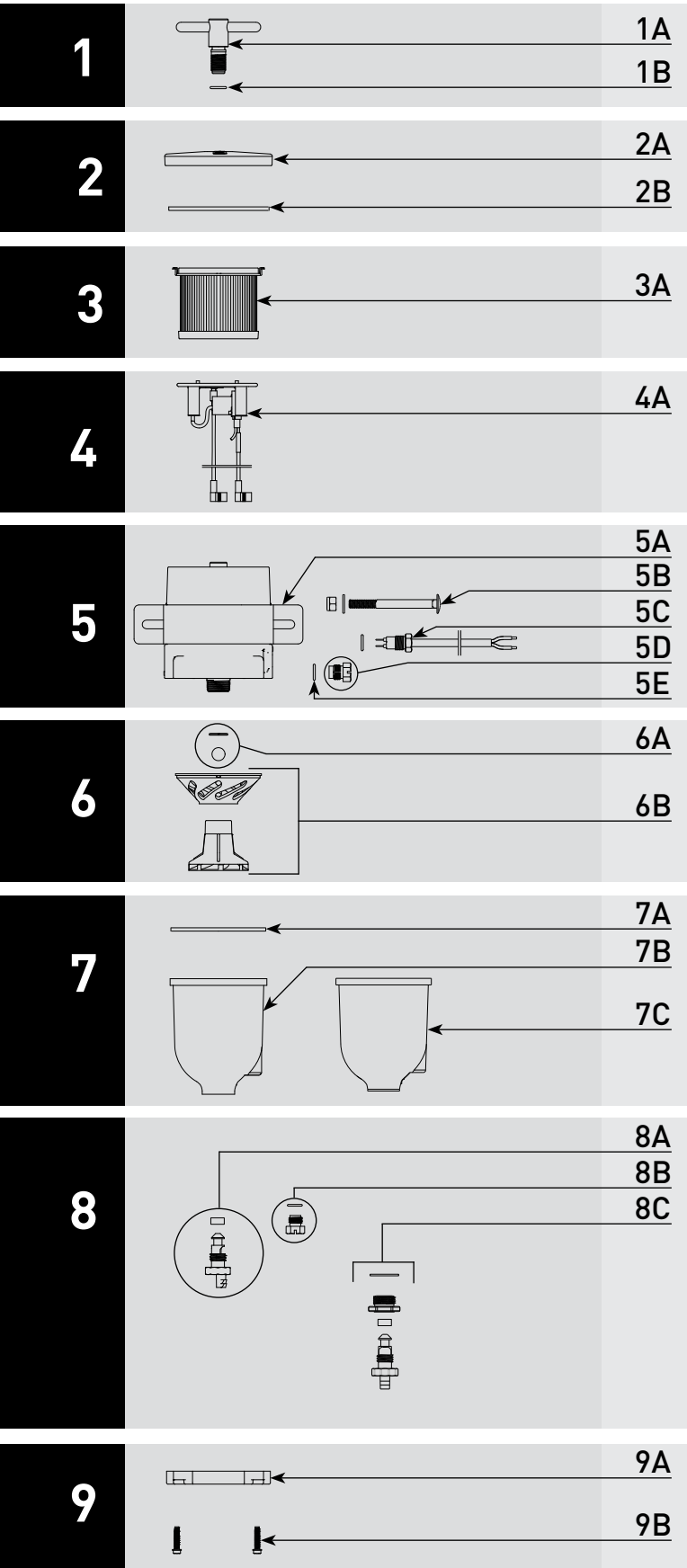
RACOR®

SINGLE ASSEMBLY



PARTS

Turbine - 500FG



Part #		Description
1A	RK23183	T-handle Kit - Includes 1B and 2B Optional - T-handle Vacuum Gauge Kit - For 500FG Assemblies Manufactured After 2002
	RK19671	
1B		T-handle O-ring
2A	RK 15078	500FG Lid Kit - Includes 1B and 2B
2B		Lid Gasket - Included in 10A
3A	2010SM-OR	Replacement Element 2 micron - Includes 1B and 2B
	2010TM-OR	Replacement Element 10 micron - Includes 1B and 2B
	2010PM-OR	Replacement Element 30 micron - Includes 1B and 2B
4A	RK15440-01	Heater Kit - 12 vdc, 100 watt - Includes 5C - 12 vdc 10 amp Automotive Relay recommended
	RK15440-02	Heater Kit - 24 vdc, 100 watt - Includes 5C - Relay RK 11862 recommended
5A	RK15441-01	Clamp Bracket Kit - (White) Includes (1) Bolt, (1) Washer, and (1) Nut
5B	RK 11838	Carriage Bolt Kit - Includes (2) Bolt, (2) Washer, and (2) Nut
5C		Heater Feed-thru - Includes 5E
5D	RK 11-1679	Feed-thru Plug Kit - Includes 5E
5E		Feed-thru or Plug O-ring - Included in 10A
6A	RK 15010B	Checkball and Gasket Kit
6B	RK 15013D	Centrifuge and Baffle Kit - Includes 6A and 7A
7A	RK15374	Bowl Gasket - Included in 10A
7B	RK15405	Bowl Kit (2002 to Present) - Includes 7A, 8A and 8B **Bowl has 5/8"-11 drain port
7C	RK 15279-01	Bowl Kit (Before 2002) - Includes 7A and 8B **Bowl has 7/8"-14 drain port
8A		Self-venting Drain (2002 to Present - Included in 7B)
8B	RK 20126	Bowl Plug Kit
8C	RK 30488	Self-venting Drain Kit (Pre-2002 - Use with 7C)
9A	RK 15035	Bowl Ring Kit (FG - Tan) - Includes 7A
9B	RK 15081	Bowl Fasteners (set of 4)

Accessories and Parts Available (Not Shown)

10A	RK 15211	Complete Seal Service Kit - 500 Series Filters
10B	RK33802	Replacement WIF Probe - 1/2"-20 UNF (Requires Water Detection Module Amplifier - See RSL7529 Brochure)
10C	RK30880E	WIF Sensor and Light Kit - 1/2"-20 UNF
10D	RK 11-1570	Water Detection Module Kit - 12 or 24 vdc - Includes Amplifier (Light and Buzzer), RK 21069 (WIF Probe), & Vacuum Switch
10E	RK 11862	Heater Relay Kit - 24 vdc