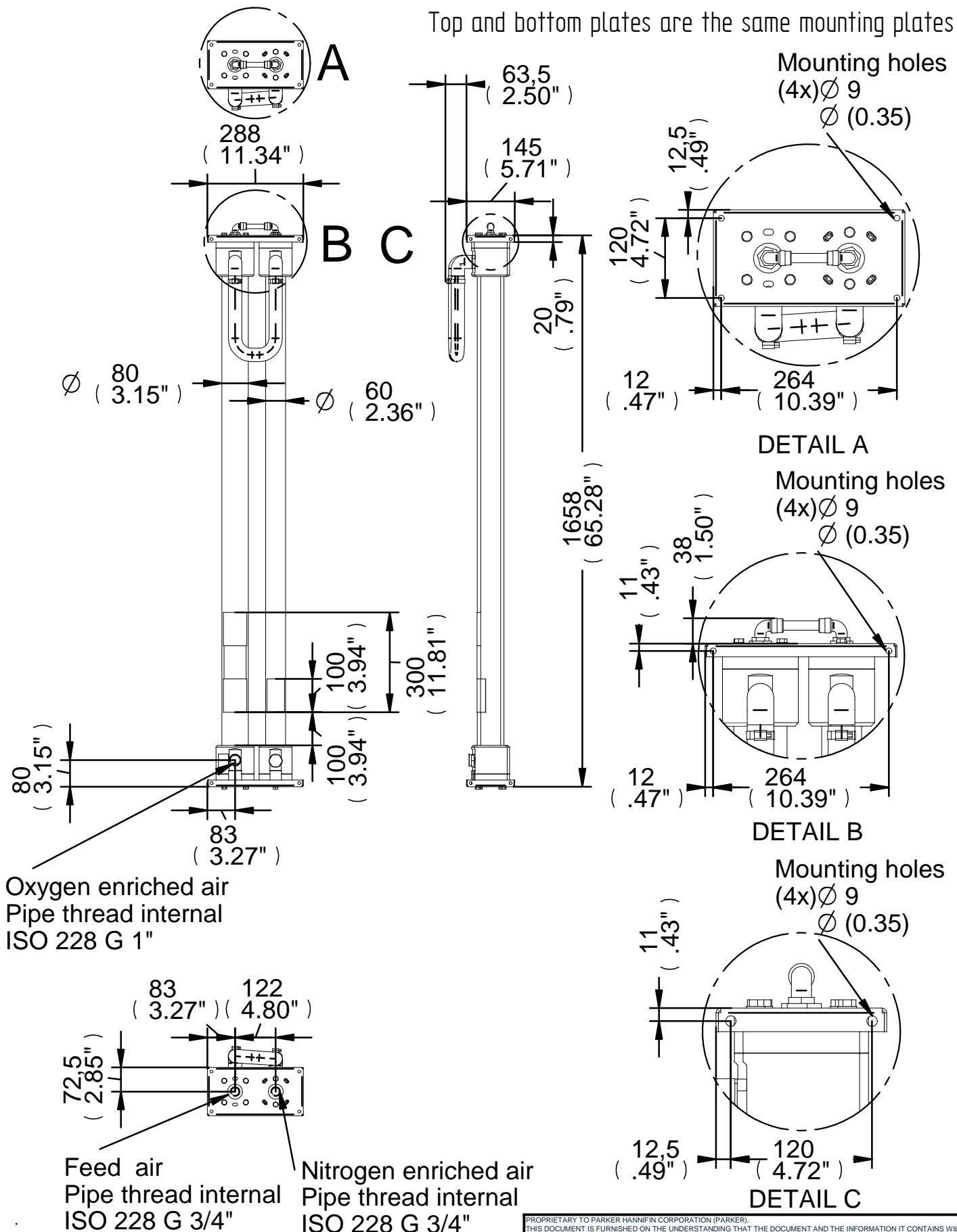


Top and bottom plates are the same mounting plates



PROPRIETARY TO PARKER HANNIFIN CORPORATION (PARKER).  
THIS DOCUMENT IS FURNISHED ON THE UNDERSTANDING THAT THE DOCUMENT AND THE INFORMATION IT CONTAINS WILL NOT BE COPIED OR DISCLOSED TO OTHERS OR USED FOR ANY PURPOSE OTHER THAN CONDUCTING BUSINESS WITH PARKER, AND WILL BE RETURNED AND ALL FURTHER USE DISCONTINUED UPON REQUEST BY PARKER. COPYRIGHT PARKER. YEAR OF COPYRIGHT IS FIRST YEAR INDICATED ON THIS DOCUMENT. ALL RIGHTS RESERVED.

THIRD ANGLE PROJECTION 	Units: MM (INCH)	Titel: Double module 1506-8 (4 to 8 barg)		Parker Filtration & Separation B.V. Oude Kerkstraat 4 4878 AA Etten-Leur The Netherlands Tel/Fax: 076 5085300/ 5085333	
	Date: 28-12-2010	Rev:	Total Sheets: 1	Design: EJ000159	Document number: K3.1.356
Drawing: sam 330-1 DD.dft			Format: A4		