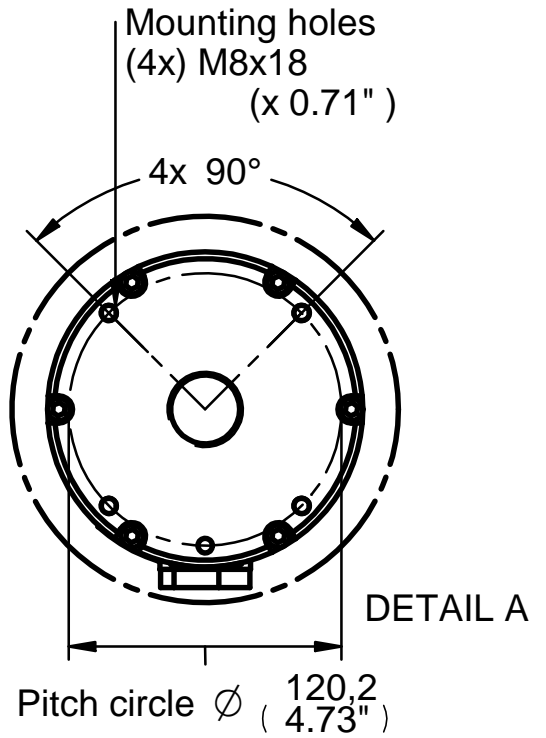


Nitrogen enriched air
Pipe thread internal
ISO 228 G 1"

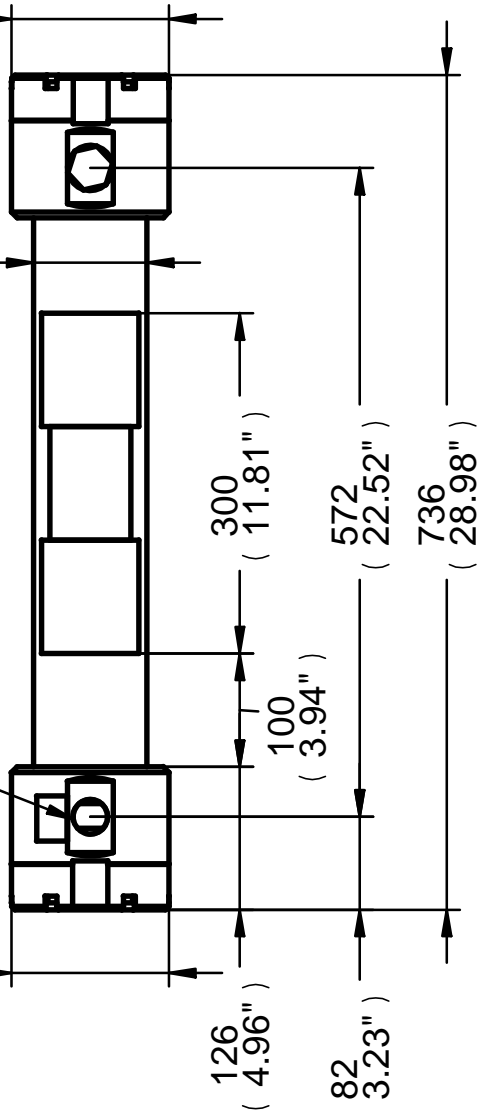


\varnothing 139
(5.47")

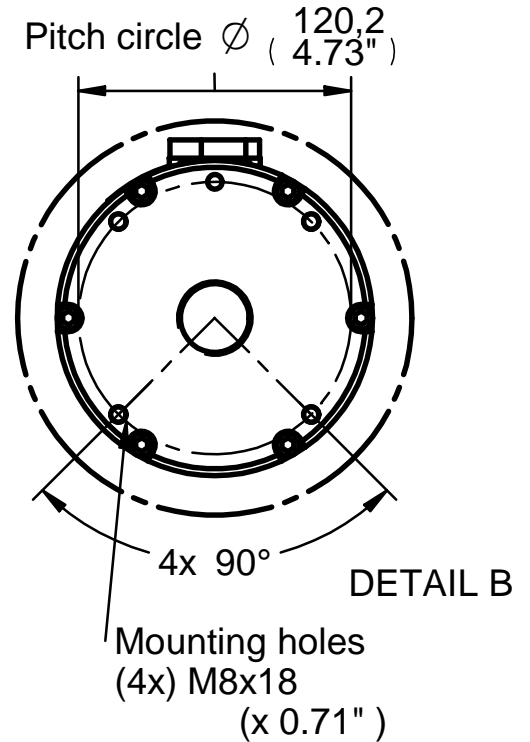
\varnothing 100
(3.94")

Oxygen enriched air
Pipe thread internal
ISO 228 G 1"

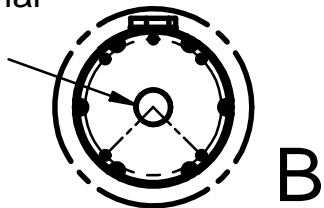
\varnothing 139
(5.47")



Pitch circle \varnothing (120,2 / 4.73")

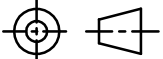


Feed air
Pipe thread internal
ISO 228 G 1"



PROPRIETARY TO PARKER HANNIFIN CORPORATION (PARKER).
THIS DOCUMENT IS FURNISHED ON THE UNDERSTANDING THAT THE DOCUMENT AND THE INFORMATION IT CONTAINS WILL
NOT BE COPIED OR DISCLOSED TO OTHERS OR USED FOR ANY PURPOSE OTHER THAN CONDUCTING BUSINESS WITH
PARKER, AND WILL BE RETURNED AND ALL FURTHER USE DISCONTINUED UPON REQUEST BY PARKER. COPYRIGHT
PARKER, YEAR OF COPYRIGHT IS FIRST YEAR INDICATED ON THIS DOCUMENT. ALL RIGHTS RESERVED.

THIRD ANGLE PROJECTION



Units: MM (INCH)

Date: 3-12-2010

Titel: Single module 6010

Rev:

Total Sheets: 1

Parker Filtration & Separation B.V.
Oude Kerkstraat 4
4878 AA Etten-Leur
The Netherlands
Tel/Fax: 076 5085300/ 5085333



Drawing:
sam 335-1 DD.dft

Design:
EJ000159

Document number:
K3.1.347

Format:
A4