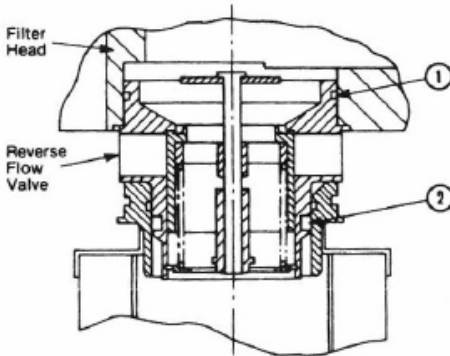


**Element location 1
34P**



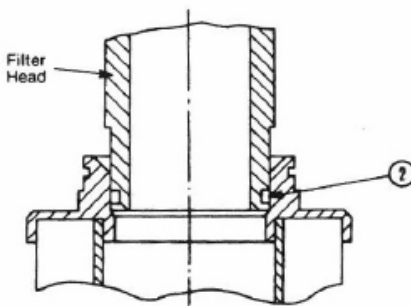
Seal 1



**Element location 2
34P Reverse flow**



Seal 2



**Element location 3
34PB**

Element location type	Seal required (Fit where indicated)
1	1
2	1 & 2
3	2

Seal provision & utilization warning label