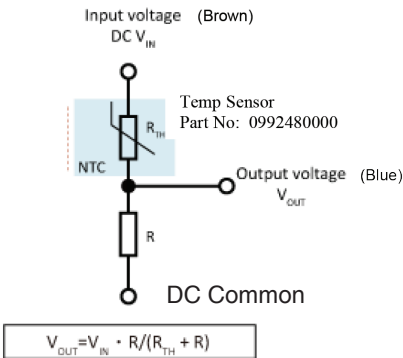




HAS 500 Temperature Monitoring Sensor

Reservoir Temperature: HAS 500 manifolds are equipped with mounting provisions to accept a thermistor. HAS 500 Series drive kits include the thermistor, 5 meter cable and macro in the drive to warn of High Oil Temp with the option to enable shut down of HAS operation on over temperature conditions. This technical bulletin is for use with Parker IQAN or other generic controllers

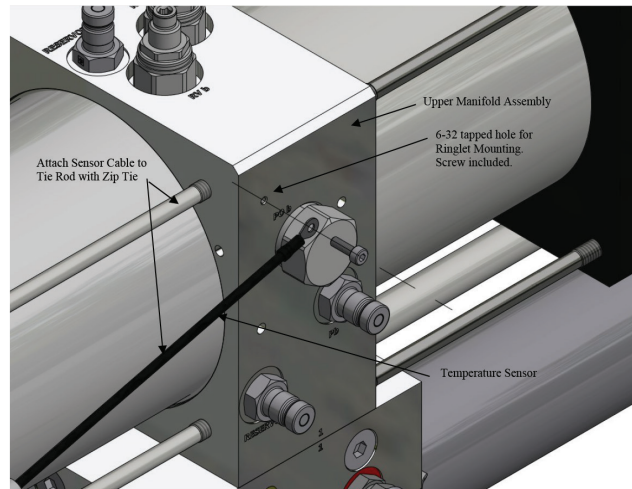
Temperature Sensor Wiring



Temp (°C)	Temp (°F)	DCV in = 5 Vout	DCV in = 10 Vout
-40	-40.0	0.144	0.288
-18	-0.4	0.518	1.036
-10	14.0	0.765	1.531
0	32.0	1.172	2.345
8	46.4	1.567	3.133
15	59.0	1.945	3.889
19	66.2	2.167	4.334
25	77.0	2.500	5.000
32	89.6	2.873	5.746
38	100.4	3.170	6.339
45	113.0	3.480	6.960
51	123.8	3.713	7.426
58	136.4	3.945	7.890
65	149.0	4.138	8.276
72	161.6	4.297	8.593
77	170.6	4.392	8.783
85	185.0	4.517	9.033
93	199.4	4.615	9.229
99	210.2	4.673	9.347

Voltage Outputs with R = 10K ohm

HAS Reservoir Temperature Sensor (Thermistor) Mounting



Temp Sensor Part No: 0992480000
 Mating Cable: 086620T005
 IP Rating: IP67
 Connector: M8 Nano 3 pin

1 = Brown
 4 = Black
 3 = Blue



Temp Sensor [Part No. 0992480000] can be used with other controllers with a power supply of either 5V (IQAN) or 10V power supplies. A Resistor (R) value of 1K ohm is required. The Table “DCV in = 5V” and “DC in 10V” show the valve in VDC that correspond to the HAS Temperature when properly connected to the HAS Unit. It is suggested to use a Lookup table or a multi-point linearization block in the main controller to determine the units temperature

HAS A Series Drive Kit include the multi-point linearization macro for temperature monitoring.

This sensor is useful when controlling the heat exchanger options and to protect the HAS unit from Over Temp condition.



WARNING: This product can expose you to chemicals including Lead and Lead Compounds which are known to the State of California to cause cancer and birth defects or other reproductive harm. For more information go to www.P65Warnings.ca.gov

