

DF25

Duplex Filter Series
Max 100 l/min. 40 bar



Duplex filter for fuel, lube and hydraulic systems

The DF25 is a duplex filter suitable for continuous operation. Both the selecting valve end positions are secured with a locking mechanism. Sturdy cast iron housing with a pressure rating of 40 bar. The DF25 has drain plugs at the bottom and air vent plugs at the top. Element change from the top provides for a clean and tidy service. There is an integrated connection for a differential pressure indicator. The filter has threaded connection ports and the flange can also be used for side-block mounting. Behind the flange there are plugged alternative connection ports: The IN-port on the left side and the OUT-port at the top.



Contact Information:

Parker Hannifin
Hydraulic Filter Division Europe
filtrationinfo@parker.com

www.parker.com

Applications:

- Diesel engine fuel systems
- Industrial lube oil systems
- Industrial medium pressure hydraulic systems



ENGINEERING YOUR SUCCESS.

Specification

Duplex filter:

Change-over valve with an open centre position. A locking device for both end positions. Safety guards ensure that pressure is released prior to opening the filter. Integrated indicator port with test connection.

Flow direction:

Element flow direction from out to in.

Connections:

Threaded ports G $\frac{3}{4}$: inlet on the side of the flange and outlet on top of the flange. Alternative G $\frac{3}{4}$ ports on the flange face (plugged with steel plugs).

Seal material:

Fluoroelastomer

Operating temperature:

0°C... +100°C

0°C... +160°C with metal mesh elements

Note: In diesel applications max. 60°C

Housing material:

Cast iron (GJS)

Weight:

31 kg

Nominal flow rate (30 cSt):

100 l/min (6 m 3 /h)

Bypass valve:

Standard without bypass, optimal opening pressure 1.7 bar or 3.5 bar.

Indicator options:

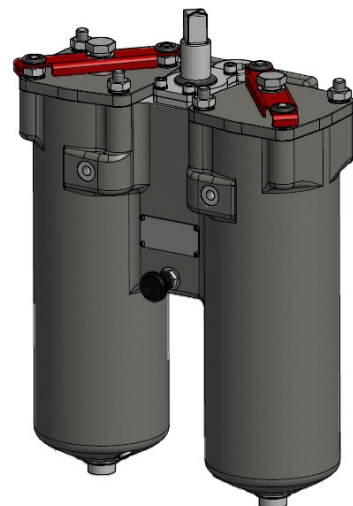
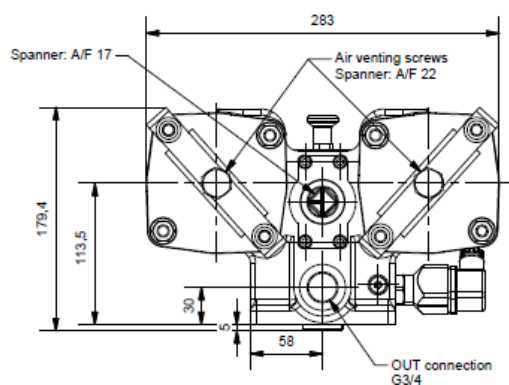
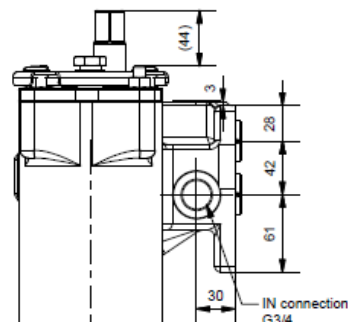
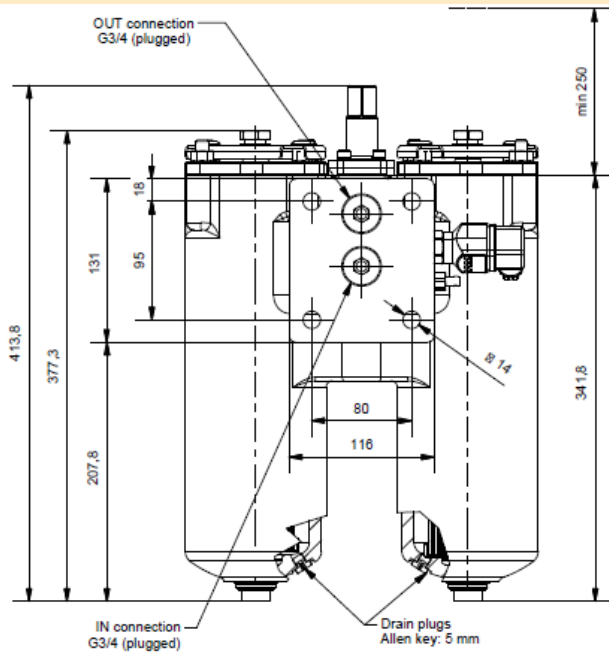
Integrated indicator port. Filter can be equipped with a visual, an electrical or an electronic differential pressure indicator. Settings and other details: see indicator options table on product description page and indicator section in the catalogue.

Filter elements:

- Environmentally friendly Quantumfiber Eco elements are available in micron ratings(abs): 2 μ m, 5 μ m, 10 μ m and 20 μ m. Eco elements contribute to ISO14001 because they do not include metal parts.
- Cleanable metal mesh elements, micron ratings(abs): 35 μ m and 60 μ m.
- Resin impregnated fine cellulose paper 10 μ m nominal.

Fluid compatibility:

Suitable for use with regular hydraulic and lubrication oils and light fuel oils. For heavy fuel oils and other fluids consult Parker Filtration.



DF25

Pressure Drop Curves

$$\Delta p_{\text{total}} = \Delta p_{\text{housing}} + \Delta p_{\text{element}}$$

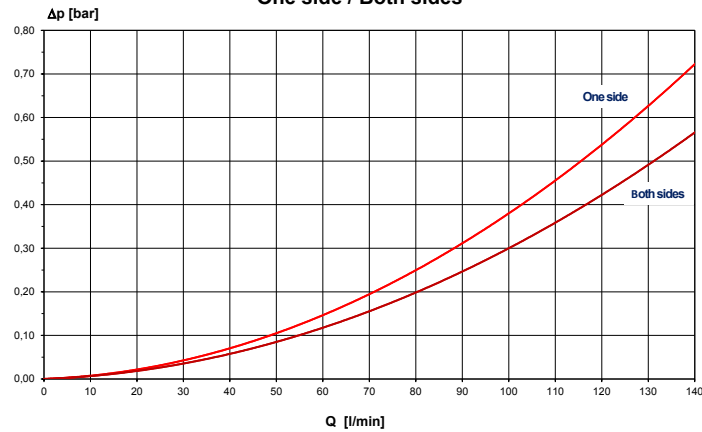
The recommended level of the initial pressure drop for the filter is maximum 0.8 bar.

Δp -curves are measured at 30 cSt.

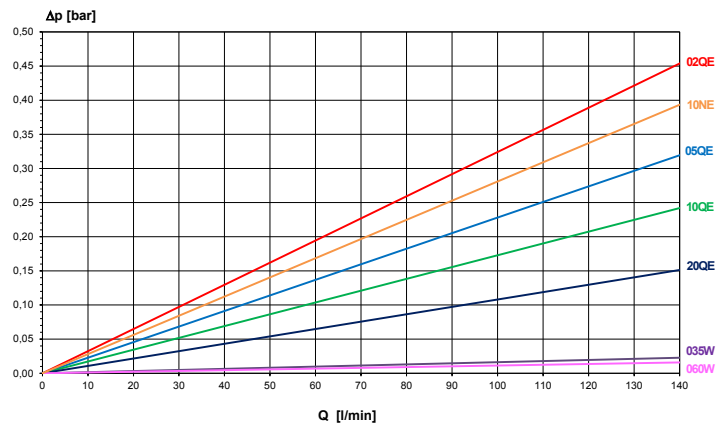
If the medium used has a viscosity different from 30 cSt, pressure drop over the filter can be estimated as follows:

$$\Delta p_{\text{total}} = \Delta p_{\text{housing}} + \Delta p_{\text{element}} \times \frac{\text{working viscosity}}{30 \text{ cSt}}$$

**PRESSURE DROP CURVE
DF25 housing
One side / Both sides**



**PRESSURE DROP CURVE
DF25 elements / One side**



DF25

Ordering information

Table 1	Table 2	Table 3	Table 4	Table 5	Table 6	Table 7	Table 8
DF25	1	10QE	V	T1	K	G 12	2

Table 1

SERIES	CODE
Duplex Filter	DF25

Table 2

LENGTH	CODE
Length 1	1

Table 3

MICRON RATING	CODE
Glassfibre	
Quantumfiber Eco 2 µm	2QE
Quantumfiber Eco 5 µm	5QE
Quantumfiber Eco 10 µm	10QE
Quantumfiber Eco 20 µm	20QE
Other media	
Cellulose 15 µm nominal	1ONE
Cleanable metal mesh 35 µm	035W
Cleanable metal mesh 60 µm	060W

Table 4

SEAL MATERIAL	CODE
Fluoroelastomer	V

Please note the bolded codes reflect standard options with reduced lead-time.

REPLACEMENT ELEMENTS WITH FLUOROELASTOMER	
Media code	Order code
Glassfibre	
02QE	939126Q
05QE	939127Q
10QE	939128Q
20QE	939129Q
Cellulose	
1ONE	939130
Cleanable metal mesh	
035W	939131
060W	939132

Table 5

INDICATOR	CODE
Indicator port plugged	P
Visual indicator	M3
Electrical indicator	T1
Electronic indicator (PNP/N.O.)	F1
Electronic indicator (NPN/N.O.)	F2
Electronic indicator (PNP/N.C.)	F3
Electronic indicator (NPN/N.C.)	F4

Table 6

BYPASS & INDICATOR SETTINGS	CODE
1.7 bar / 1.2 bar indicator**	G
3.5 bar / 2.5 bar indicator**	K
No / No*	X

Table 7

CONNECTIONS (Port size)	CODE
G 3/4	G12

Table 8

OPTIONS	CODE
With bypass	1
No bypass	2

SPARE PARTS	
Service seal kit	CODE
Seal material	
Fluoroelastomer	930000217

Seals needed in element service are included in Parker original replacement element package.

WARNING – USER RESPONSIBILITY

FAILURE OR IMPROPER SELECTION OR IMPROPER USE OF THE PRODUCT DESCRIBED HEREIN OR RELATED ITEMS CAN CAUSE DEATH, PERSONAL INJURY AND PROPERTY DAMAGE.

- This document and other information from Parker Hannifin Corporation, its subsidiaries and authorized distributors provide product or system options for further investigation by users having technical expertise.
- The user, through its own analysis and testing, is solely responsible for making the final selection of the system and components and assuring that all performance, endurance, maintenance, safety and warning requirements of the application are met. The user must analyze all aspects of the application, follow applicable industry standards, and follow the information concerning the product in the current product catalogue and in any other materials provided from Parker or its subsidiaries or authorized distributors.
- To the extent that Parker or its subsidiaries or authorized distributors provide component or system options based upon data or specifications provided by the user, the user is responsible for determining that such data and specifications are suitable and sufficient for all applications and reasonably foreseeable of the components or systems.

Parker Hannifin Manufacturing Ltd.
Hydraulic Filter Division Europe

FIN - 31700 Urjala As. FINLAND
filtration.finland@parker.com
Telephone +358 20 753 2500
Telefax +358 20 753 2501

