

### Specifications:

- Finished Aluminum Housing
- Inlet Ports: 1.0" and 1.25" Hose Barb
- Outlet Ports: 4.0", 5.0", 6.0" and 7.0" Diameter
- Assembly Length: 12.0"
- Assembly Diameters: 9.6" - 13.5"
- Flow rates: 0-2000 cfm

### Engine Displacement Formula:

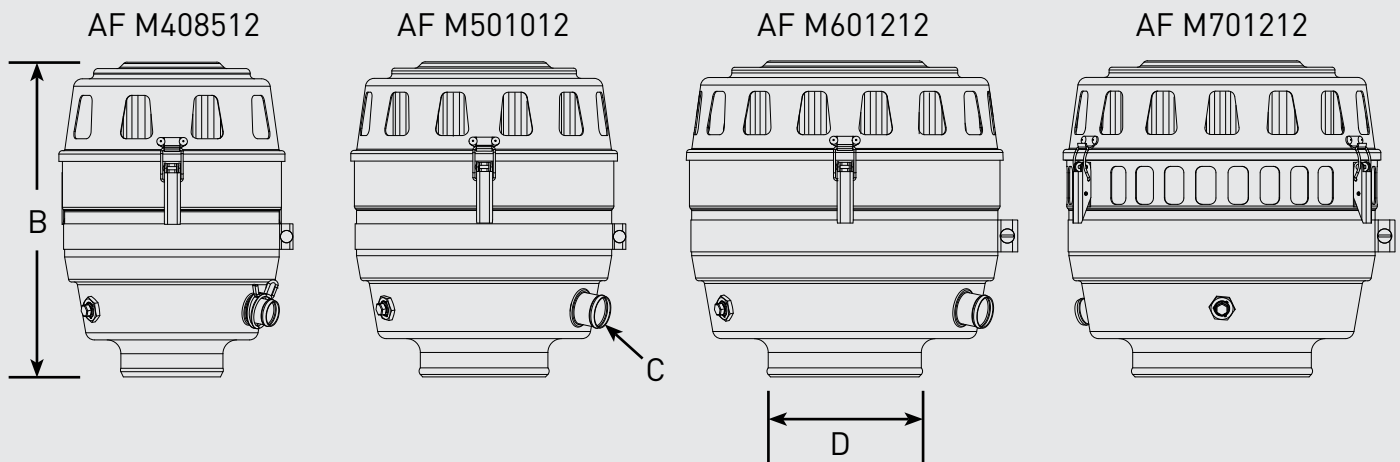
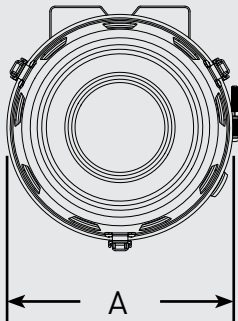
$$CFM = HP \times SA$$

SA = Specific Airflow rating

- 4-Stroke naturally aspirated diesel engine: **SA = 2.0**
- 4-Stroke turbo charged diesel engine: **SA = 2.3**
- 4-Stroke turbo charged after cooled diesel engine: **SA = 2.3**
- 2-Stroke naturally aspirated diesel engine: **SA = 2.0**
- 2-Stroke scavenge blower diesel engine: **SA = 3.3**
- 2-Stroke turbo charged diesel engine: **SA = 3.6**

SIDE INLET ASSEMBLY	(A) DIAMETER IN (CM)	(B) LENGTH IN (CM)	(C) HOSE BARB IN (CM)	(D) OUTLET DIAMETER IN (CM)	MAXIMUM FLOW RATE CFM	WEIGHT LBS (KG)
AF M408512	9.6 (24.4)	12.5 (31.8)	1.0 (2.54)	4.0 (10.2)	800	4.2 (1.9)
AF M501012	11.5 (29.2)	12.5 (31.8)	1.25 (3.2)	5.0 (12.7)	1200	5.0 (2.3)
AF M601212	13.5 (34.3)	12.5 (31.8)	1.25 (3.2)	6.0 (15.2)	1600	8.0 (3.6)
AF M701212	13.5 (34.3)	12.5 (31.8)	1.0 (2.54)	7.0 (17.8)	2000	8.0 (3.6)

### Dimensions:

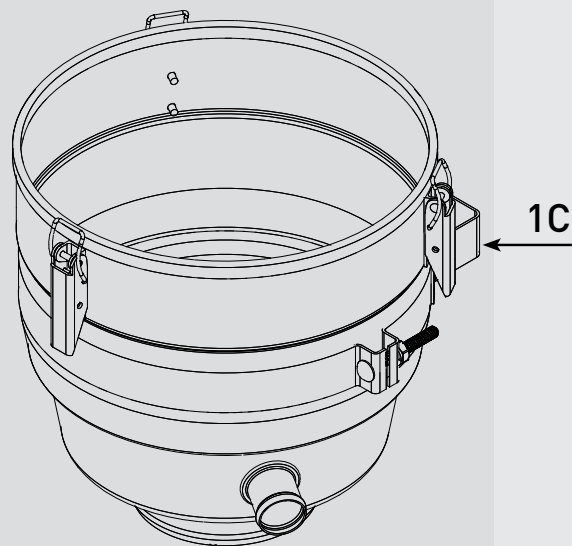
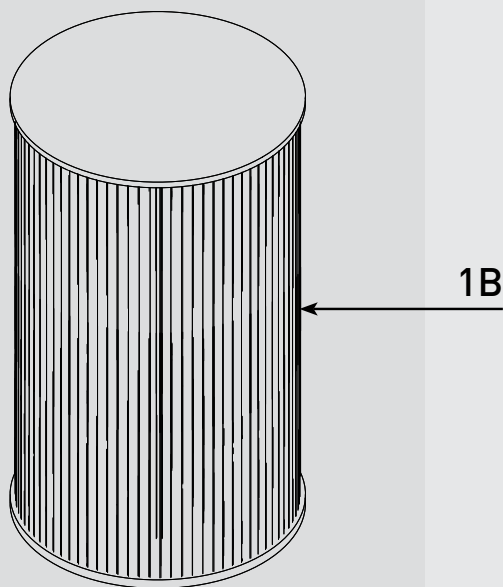
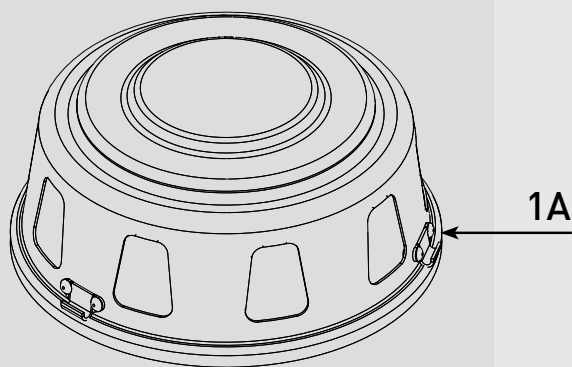


**WARNING:** The products described in this literature can expose you to chemicals including Diisononyl phthalate, Carbon black extract, which are known to the State of California to cause cancer. For more information go to [www.P65Warnings.ca.gov](http://www.P65Warnings.ca.gov).



# PARTS

## AF M Series



Part #	Description								
<b>1A</b>	AF M Housing - Top								
<b>1B</b>	<table border="1"> <tr> <td><b>AF M8040</b></td> <td>AF M408512 Replacement Filter</td> </tr> <tr> <td><b>AF M8050</b></td> <td>AF M501012 Replacement Filter</td> </tr> <tr> <td><b>AF M8060</b></td> <td>AF M601212 Replacement Filter</td> </tr> <tr> <td><b>AF M8070</b></td> <td>AF M701212 Replacement Filter</td> </tr> </table>	<b>AF M8040</b>	AF M408512 Replacement Filter	<b>AF M8050</b>	AF M501012 Replacement Filter	<b>AF M8060</b>	AF M601212 Replacement Filter	<b>AF M8070</b>	AF M701212 Replacement Filter
<b>AF M8040</b>	AF M408512 Replacement Filter								
<b>AF M8050</b>	AF M501012 Replacement Filter								
<b>AF M8060</b>	AF M601212 Replacement Filter								
<b>AF M8070</b>	AF M701212 Replacement Filter								
<b>1C</b>	AF M Housing - Base								

### Quick Guide

AF M for CCV applications

<b>AF M408512</b>	CCV4500
<b>AF M501012</b>	CCV4500 or CCV6000
<b>AF M601212</b>	CCV8000
<b>AF M701212</b>	CCV12000

Online Link  
MARINE CARTRIDGE ENGINE AIR FILTERS / SILENCERS  
Product Selector



RSL0395\_CUT\_AF M Series (07/18 Rev -)

Questions? Email: [racortech@parker.com](mailto:racortech@parker.com) Phone: 800-344-3286 News: [www.racornews.com](http://www.racornews.com)