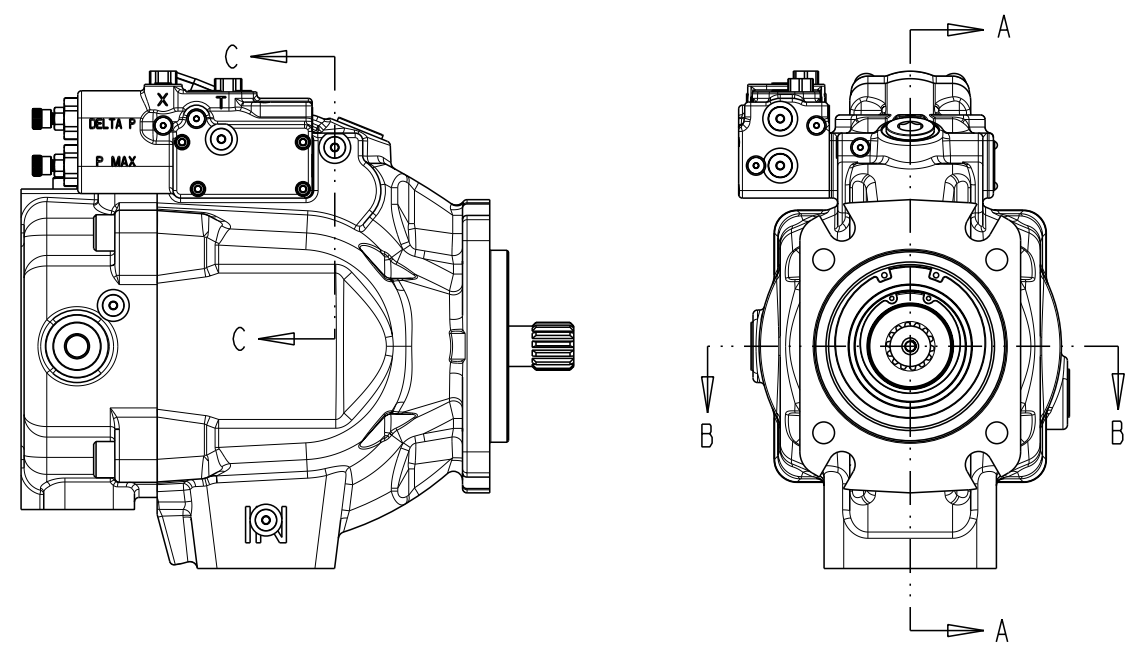
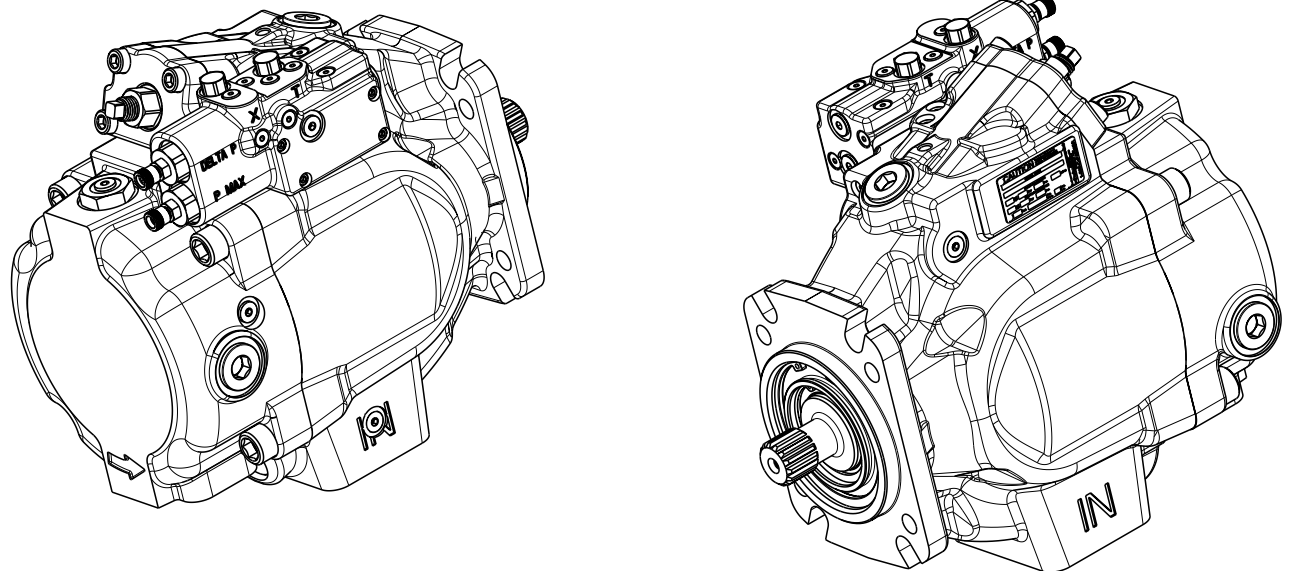
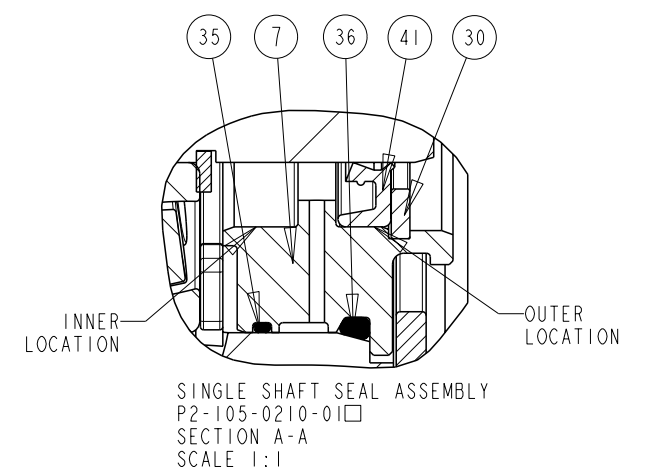
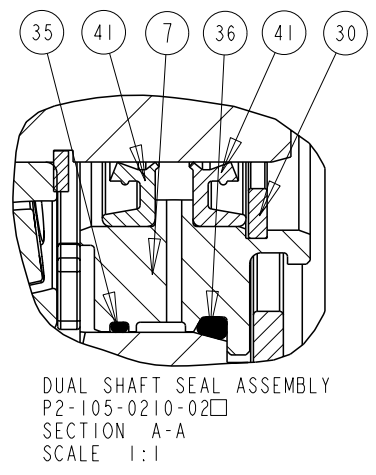
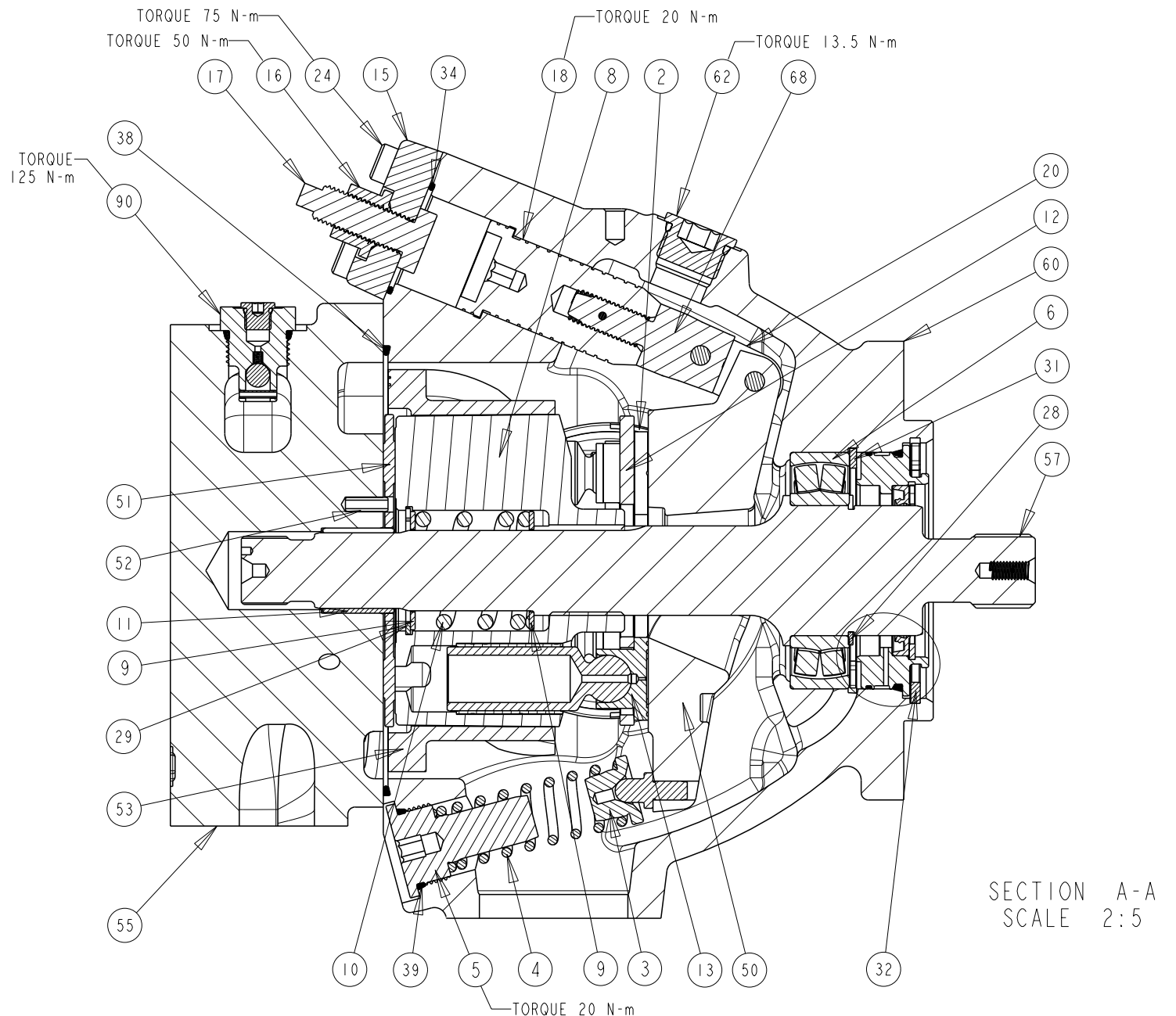


TITLE	SERVICE PARTS P3105 DESIGN SERIES 12	DRAWING NUMBER	P2-105-0406	REVISION	A	STATUS	PR	SHEET 1 OF 7
-------	---	----------------	-------------	----------	---	--------	----	--------------

DRAWN BY	J. HOEY	DATE	22NOV04	CHANGED BY	J. HOEY	DATE	11APR05	ECN NUMBER	134426
----------	---------	------	---------	------------	---------	------	---------	------------	--------



NOTES:  
 1 PUMP SHOWN IS A RIGHT HAND (CW) ROTATION PUMP. LEFT HAND (CCW) ROTATION PUMPS  
 HAVE OUTLET GAUGE PORT REVERSED.

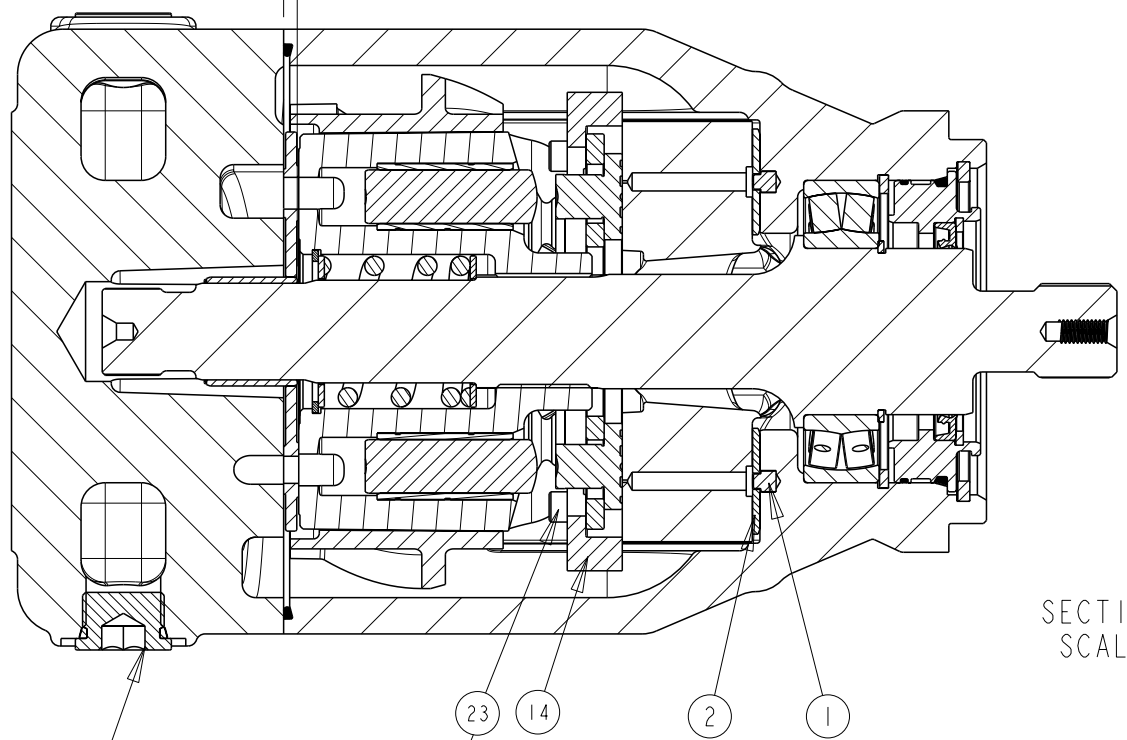


TITLE	SERVICE PARTS P3105 DESIGN SERIES 12	DRAWING NUMBER	P2-105-0406	REVISION	A	STATUS	PR	SHEET 2 OF 7
-------	---	----------------	-------------	----------	---	--------	----	--------------

DRAWN BY	J. HOEY	DATE	22NOV04	CHANGED BY	J. HOEY	DATE	11APR05	ECN NUMBER	134426
----------	---------	------	---------	------------	---------	------	---------	------------	--------

(INSTALL HEIGHT OF  
ITEM #11 AND ITEM #52)

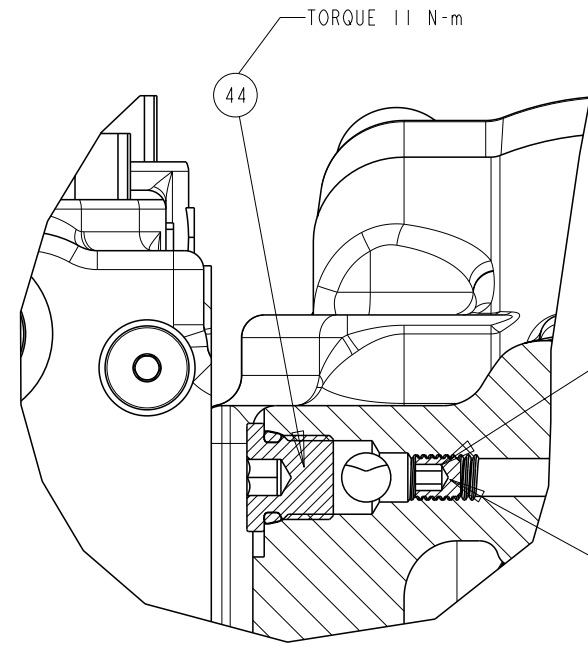
4.5	→
4.0	→



SECTION B-B  
SCALE 2:5

SAE: P2-000-8960-12□  
(108X12□)  
6149: P2-000-8964-12□  
(788516-12□)  
TORQUE 125 N-m

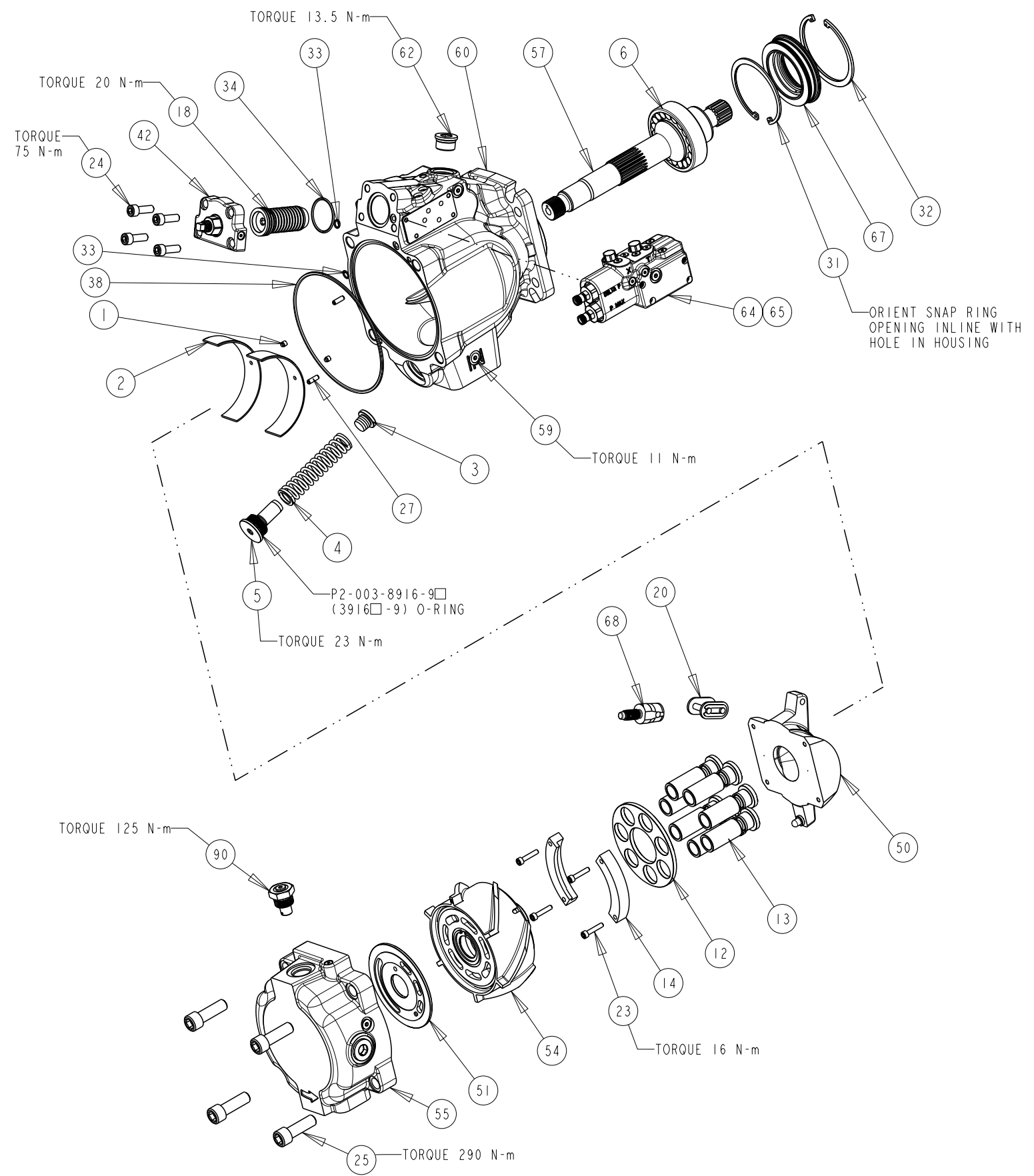
TORQUE 19 N-m



SECTION C-C  
SCALE 1:1

M6X6 SET SCREW INSTALLED FOR ALL NON  
TORQUE CONTROL OPTION PUMPS. REMOVE  
SET SCREW FOR PUMPS USING TORQUE CONTROL  
OPTION.

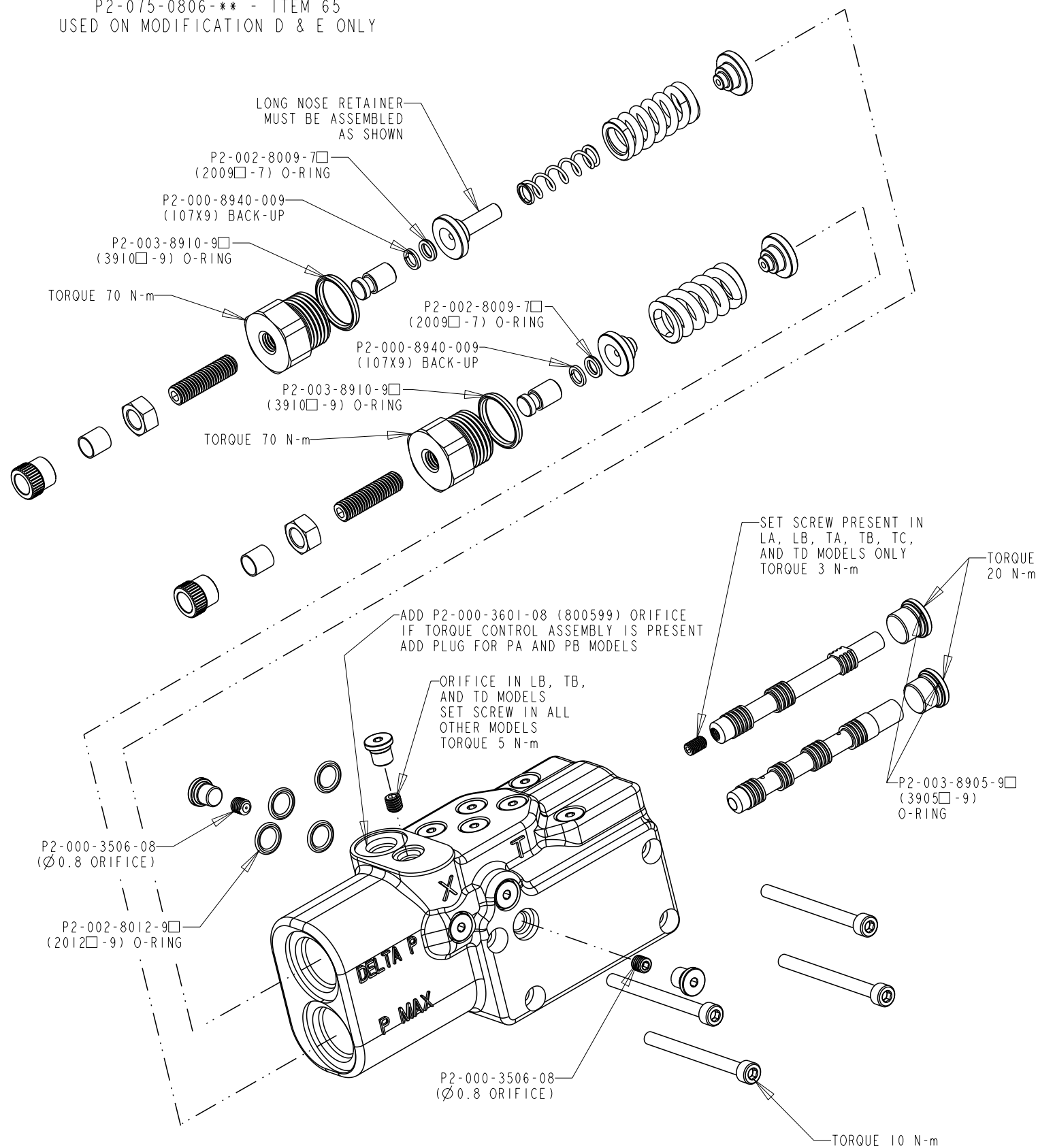
TORQUE 5 N-m



TITLE	DRAWING NUMBER	REVISION	STATUS	SHEET
SERVICE PARTS P3105 DESIGN SERIES 12	P2-105-0406	A	PR	3 OF 7

## COMPENSATOR KITS (A)

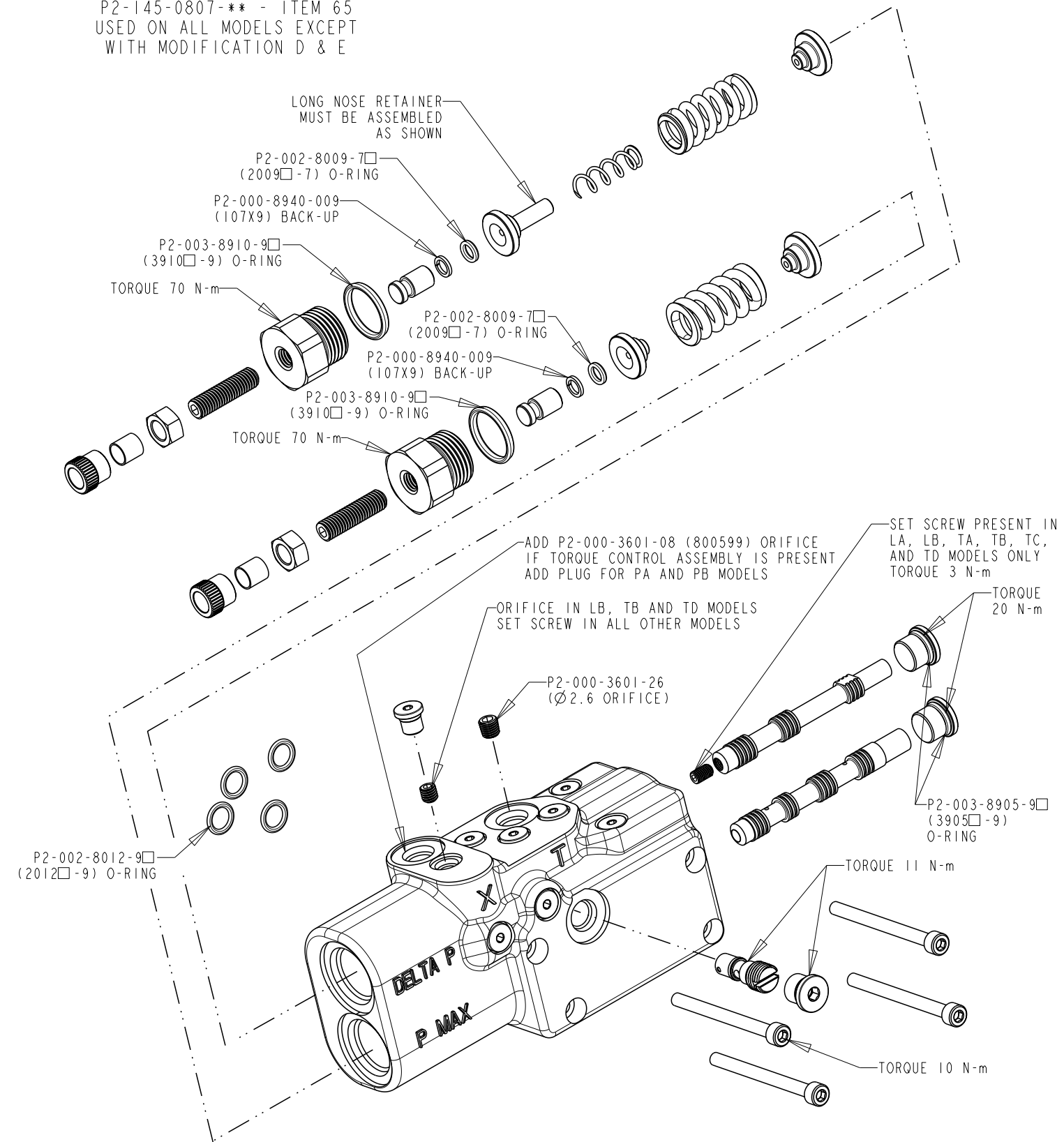
P2-075-0806-\*\*-ITEM 65  
USED ON MODIFICATION D & E ONLY



DRAWN BY	DATE	CHANGED BY	DATE	ECN NUMBER
J. HOEY	22NOV04	J. HOEY	11APR05	134426

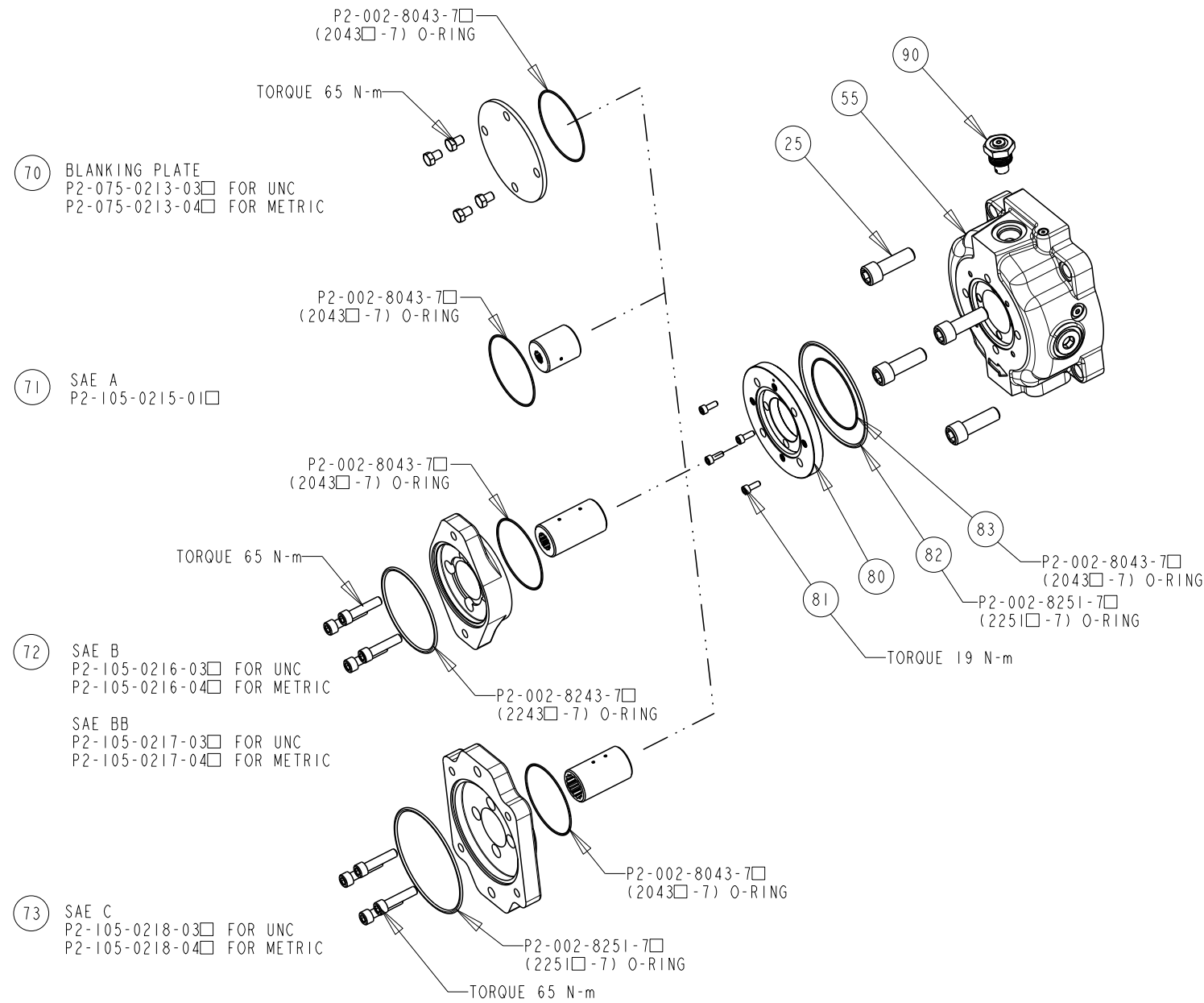
## COMPENSATOR KITS (A)

P2-145-0807-\*\*-ITEM 65  
USED ON ALL MODELS EXCEPT  
WITH MODIFICATION D & E



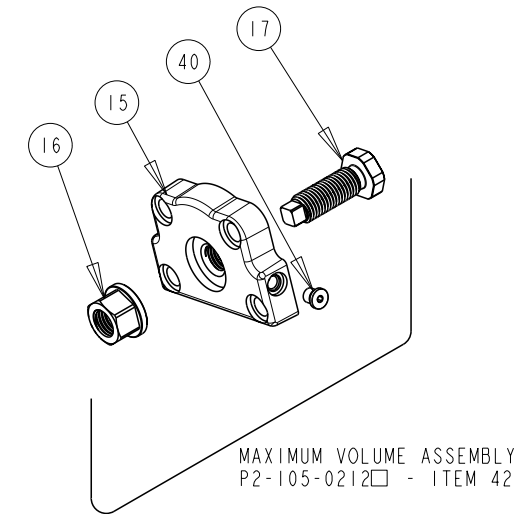
TITLE	DRAWING NUMBER	REVISION	STATUS	SHEET
SERVICE PARTS P3105 DESIGN SERIES 12	P2-105-0406	A	PR	4 OF 7

## THRU DRIVE KITS

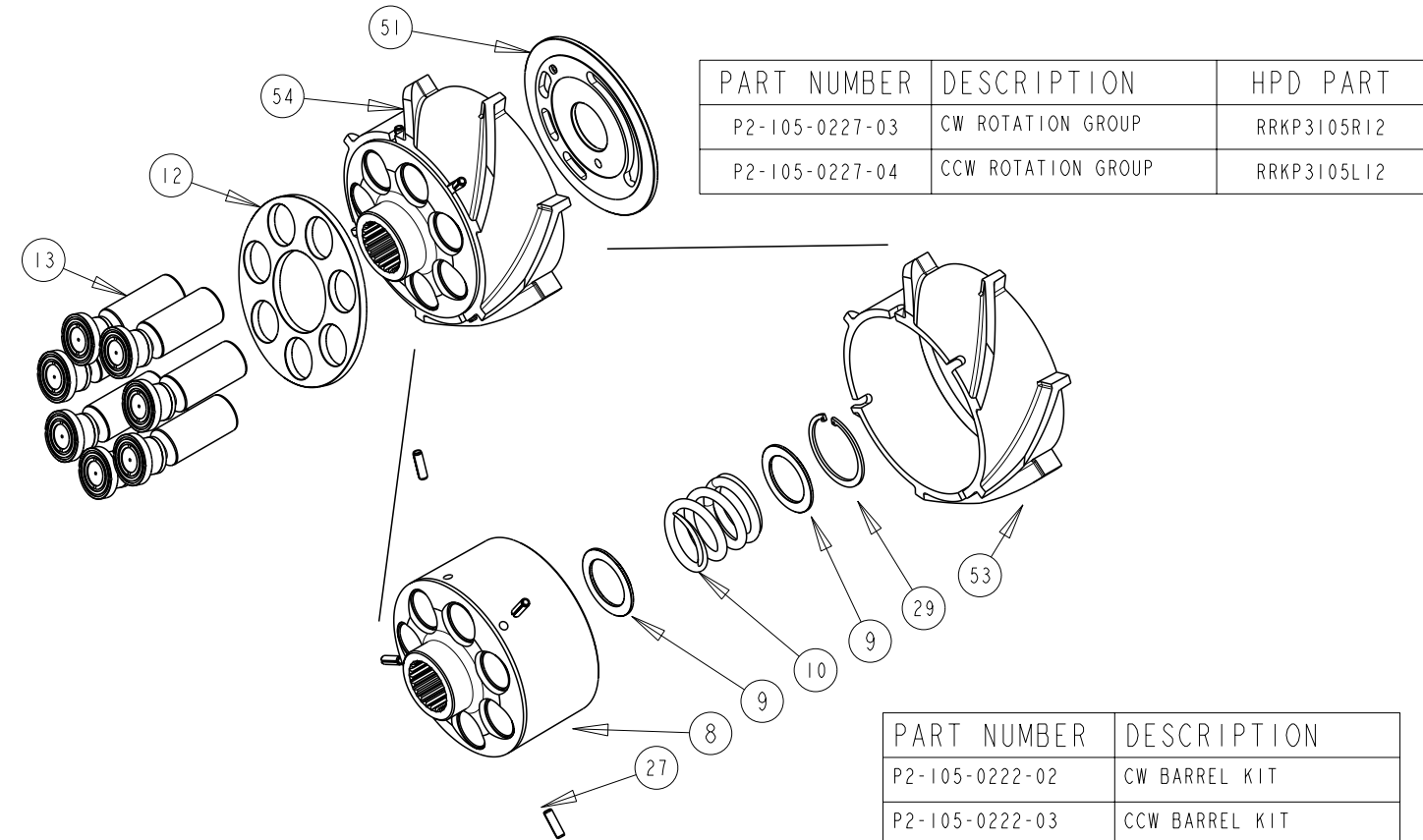


DRAWN BY	DATE	CHANGED BY	DATE	ECN NUMBER
J. HOEY	22NOV04	J. HOEY	11APR05	134426

## MAX VOLUME ASSEMBLY

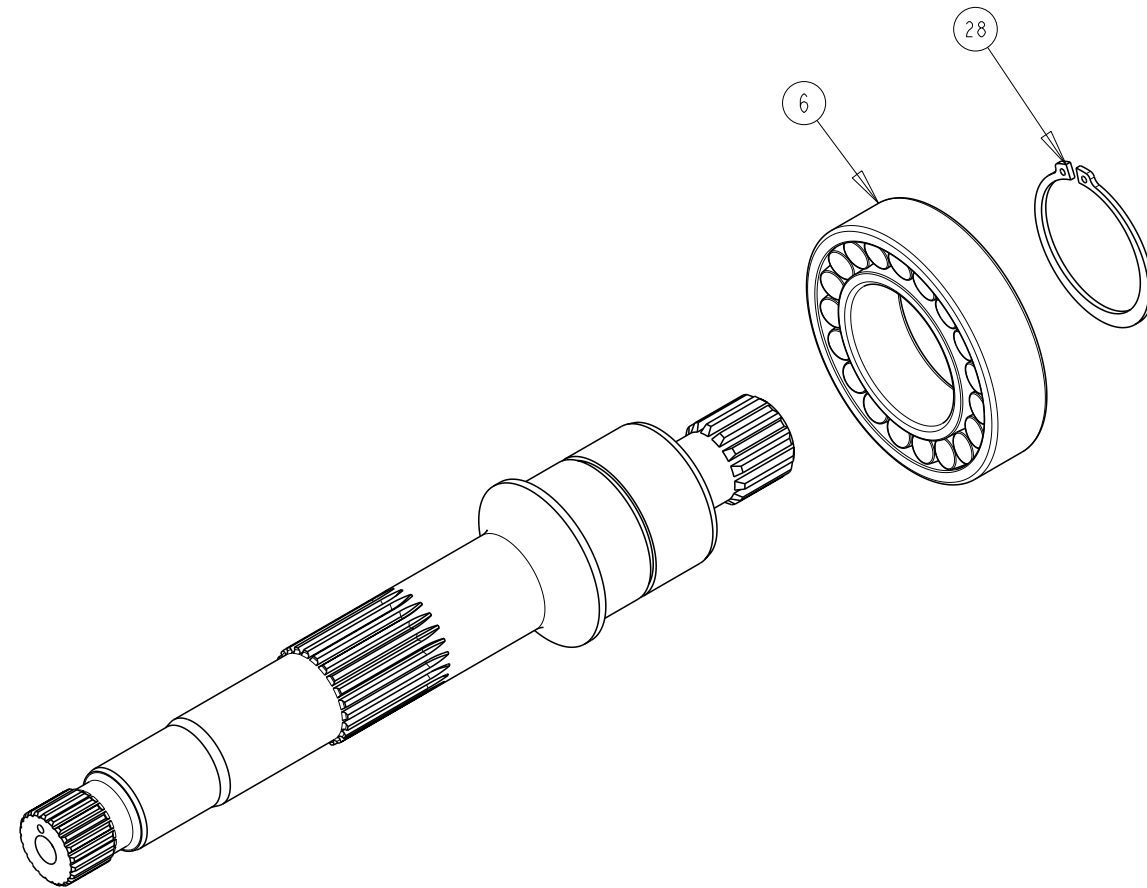


## BARREL KIT AND ROTATION GROUP KIT



TITLE	DRAWING NUMBER	REVISION	STATUS	SHEET
SERVICE PARTS P3105 DESIGN SERIES 12	P2-105-0406	A	PR	5 OF 7

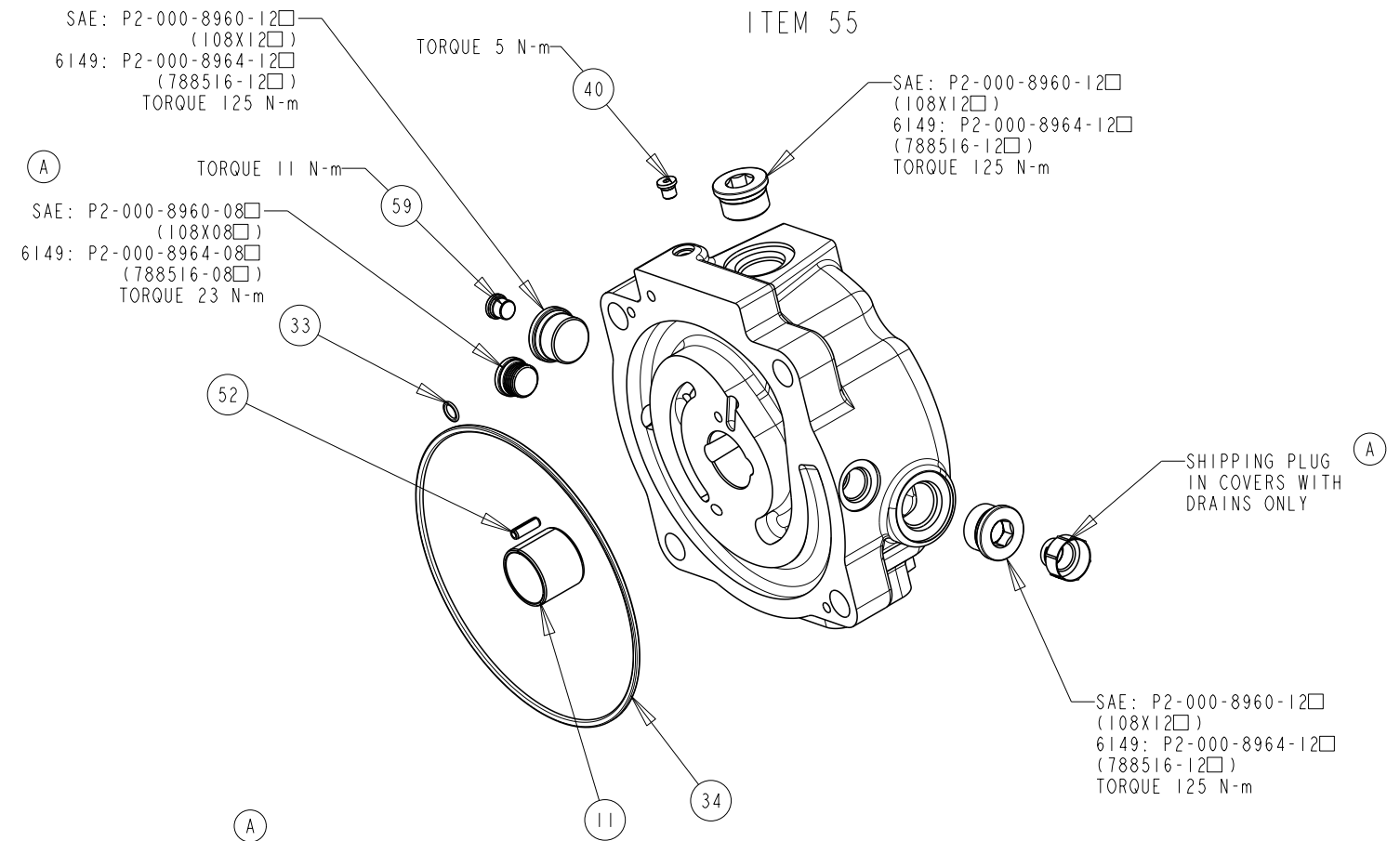
## SHAFT ASSEMBLY KITS ITEM 57



SHAFT ONLY	SHAFT ASSY	DESCRIPTION
P2-105-3525	P2-105-0225-36	C SPLINE THRU
P2-105-3527	P2-105-0225-38	CC SPLINE THRU
P2-105-3519	P2-105-0225-40	D SPLINE THRU
P2-105-3533	P2-105-0225-46	C KEY THRU
P2-105-3535	P2-105-0225-48	CC KEY THRU
P2-105-3520	P2-105-0225-56	C SPLINE THRU NO UNDERCUT
P2-105-3546	P2-105-0225-60	D SPLINE THRU NO UNDERCUT

DRAWN BY	DATE	CHANGED BY	DATE	ECN NUMBER
J. HOEY	22NOV04	J. HOEY	11APR05	134426

## COVER ASSEMBLY KITS ITEM 55



COVER ONLY	COVER ASSY	DESCRIPTION
P2-105-1015-01	P2-105-0226-09	SIDE PORT, CCW, UNC
P2-105-1015-02	P2-105-0226-10	SIDE PORT, CCW, UNC, THRU
P2-105-1015-03	P2-105-0226-11	SIDE PORT, CCW, METRIC
P2-105-1015-04	P2-105-0226-12	SIDE PORT, CCW, METRIC, THRU
P2-105-1015-05	P2-105-0226-37	SIDE PORT, CCW, UNC, DRAIN
P2-105-1015-06	P2-105-0226-38	SIDE PORT, CCW, UNC, THRU, DRAIN
P2-105-1015-07	P2-105-0226-39	SIDE PORT, CCW, METRIC, DRAIN
P2-105-1015-08	P2-105-0226-40	SIDE PORT, CCW, METRIC, THRU, DRAIN
P2-105-1016-01	P2-105-0226-13	SIDE PORT, CW, UNC
P2-105-1016-02	P2-105-0226-14	SIDE PORT, CW, UNC, THRU
P2-105-1016-03	P2-105-0226-15	SIDE PORT, CW, METRIC
P2-105-1016-04	P2-105-0226-16	SIDE PORT, CW, METRIC, THRU
P2-105-1016-05	P2-105-0226-41	SIDE PORT, CW, UNC, DRAIN
P2-105-1016-06	P2-105-0226-42	SIDE PORT, CW, UNC, THRU, DRAIN
P2-105-1016-07	P2-105-0226-43	SIDE PORT, CW, METRIC, DRAIN
P2-105-1016-08	P2-105-0226-44	SIDE PORT, CW, METRIC, THRU, DRAIN

TITLE	DRAWING NUMBER	REVISION	STATUS	SHEET
SERVICE PARTS P3105 DESIGN SERIES 12	P2-105-0406	A	PR	6 OF 7

DRAWN BY	DATE	CHANGED BY	DATE	ECN NUMBER
J. HOEY	22NOV04	J. HOEY	11APR05	134426

## TORQUE CONTROL CARTRIDGE

P2-000-0803 □ - ITEM 63

## ASSEMBLY, DIS-ASSEMBLY AND REPAIR NOTES

### DISASSEMBLY STEPS FOR ENTIRE PUMP

1. REMOVE COVER SCREWS AND COVER
2. REMOVE IMPELLER
3. DE-STROKE PUMP TO MINIMUM ANGLE WITH MAX VOLUME SCREW
4. REMOVE FIXED CLEARANCE HOLD DOWN SCREWS AND HOLD DOWN PARTS
5. REMOVE ROTATING GROUP (BARREL, SLIPPER RETAINER AND PISTONS)
6. REMOVE SHAFT SEAL CARRIER
7. REMOVE SHAFT
8. REMOVE BIAS SPRING PLUG, SPRING AND RETAINER
9. REMOVE MAX. VOLUME ASSY
10. REMOVE SERVO PISTON
11. REMOVE SWASHPLATE ASSEMBLY

### SHAFT SEAL REPLACEMENT

1. REMOVE SEAL CARRIER ONLY
2. REMOVE OLD SEAL
3. INSPECT SHAFT
4. IF SHAFT IS WORN INSTALL NEW SEAL IN INNER LOCATION FOR SINGLE SEAL APPLICATIONS (SEE SHEET 1).  
REPLACE SHAFT FOR DUAL SEAL APPLICATIONS

