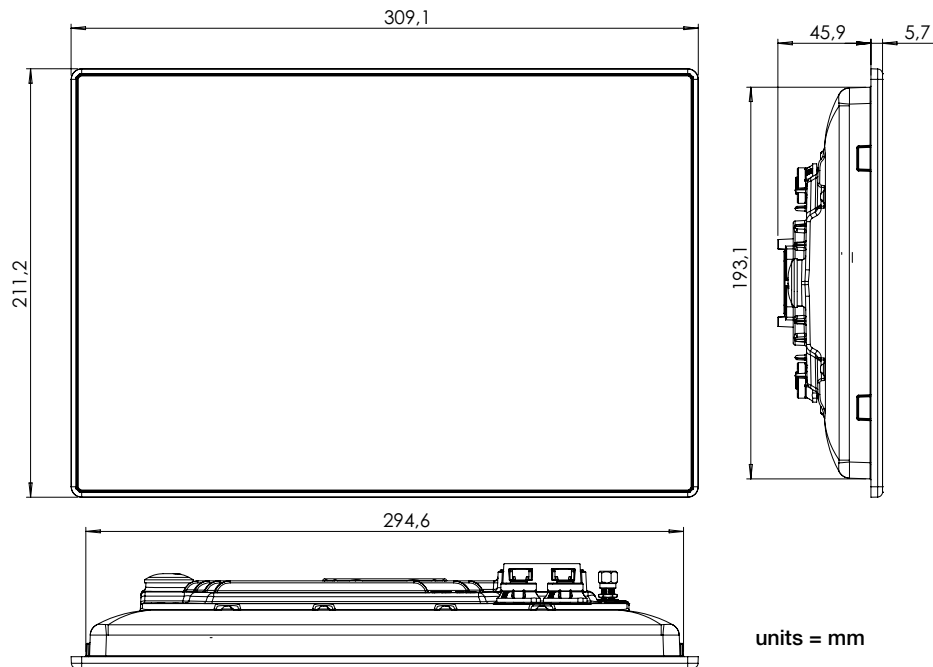


Dimensions



WARNING

FAILURE OR IMPROPER SELECTION OR IMPROPER USE OF THE PRODUCTS AND/OR SYSTEMS DESCRIBED HEREIN OR RELATED ITEMS CAN CAUSE DEATH, PERSONAL INJURY AND PROPERTY DAMAGE.

This document and other information from Parker Hannifin Corporation, its subsidiaries and authorized distributors provide product and/or system options for further investigation by users having technical expertise. It is important that you analyze all aspects of your application, including consequences of any failure, and review the information concerning the product or system in the current product catalogue. Due to the variety of operating conditions and applications for these products or systems, the user, through its own analysis and testing, is solely responsible for making the final selection of the products and systems and assuring that all performance, safety and warning requirements of the application are met.

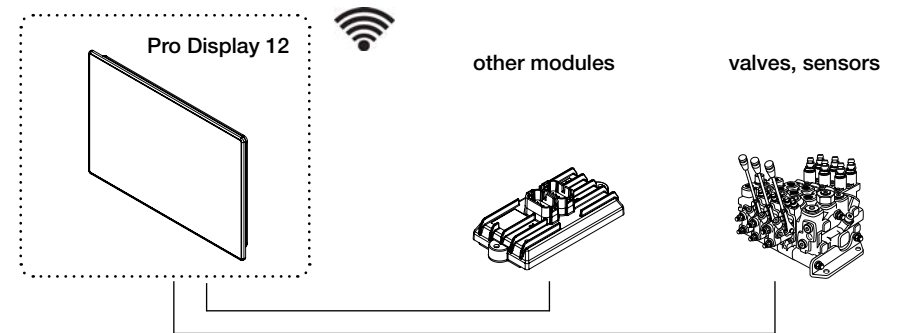
The products described herein, including without limitation, product features, specifications, designs, availability and pricing, are subject to change by Parker Hannifin Corporation and its subsidiaries at any time without notice.

Installation

Pro Display 12 part numbers:
88PROD12AS10
88PROD12AIS10

Pro Display 12

Publ.no: MSG17-4022-IS/UK
Ed. 02/2023



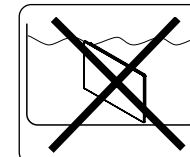
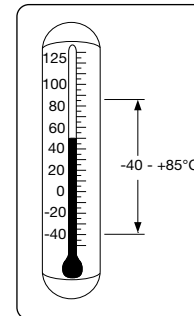
Pro Display 12 is compatible with many machine control systems. More detailed information regarding connectivity and system overview is found from the Instruction Book (MSG17-4022-IB/UK).

CAUTION

- Do not drop the module on hard surfaces.
- Do not open the module. For repair and service, please contact your authorized Parker distributor.

NOTICE

Before any installation of the system can take place, make sure that the ignition lock of the vehicle is turned off and that the battery is disconnected.



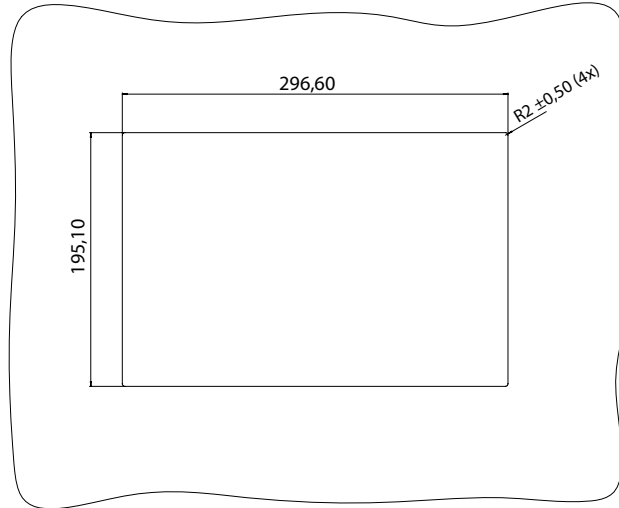
NOTICE

- Pro Display 12 is intended for vehicle in-cab use only.
- Sealing plugs must be inserted in all unused pin positions.



Mounting Options

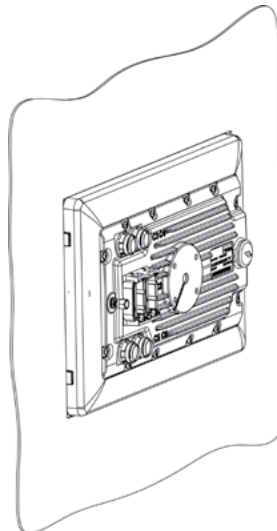
Dashboard or panel assembly



Pro Display 12 can be assembled to the vehicle dashboard, to the separate panel in vehicle cabin or for example to cabinet door in installations where exists separate electrification cabinet. Currently Pro Display 12 has no dedicated panel mounting kits available due to the fact that the panel thickness can vary depending on assembly surface and customer needs.

Guidelines for dashboard/panel mounting:

- Use gasket between device flange and panel cutout edges to ensure adequate sealing, and prevent device to vibrate.
- Attach electrical connections to the device before closing the cutout with the device. Take into account the device mounting depth 45,9 mm and required space for connectors' installation on the back of the display.
- Place the device to panel cutout, push the device lightly and ensure its stability to panel cutout edge.
- Consider suitable anchor points for a possible bracket on the back of the panel, to evenly position the device.
- Fasten mounting bracket with screws from the backside of the assembly panel by using 4 mounting points of the device.
 - Use only existing mounting points of the device to fix the unit.
 - The mounting points are blind holes with a maximum thread depth of 7,5 mm.
 - If the spacer is not used the screw length should be 6 mm.
Note! Longer screws may damage the device when tightened
 - Apply tightening torque 2,7 Nm.



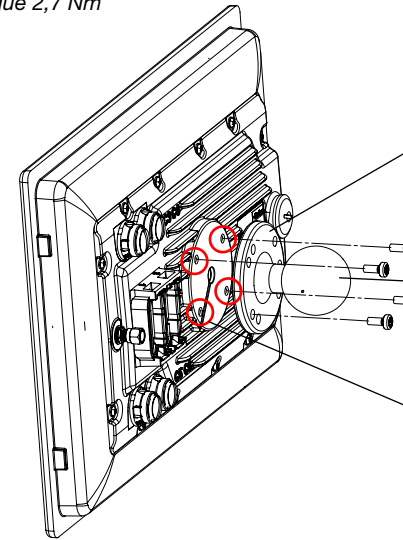
Torque 2,7 Nm

Installation

Pro Display 12

Mounting with RAM Mount

Torque 2,7 Nm



Mounting with RAM ball allows adjustment of the display's position and angle.

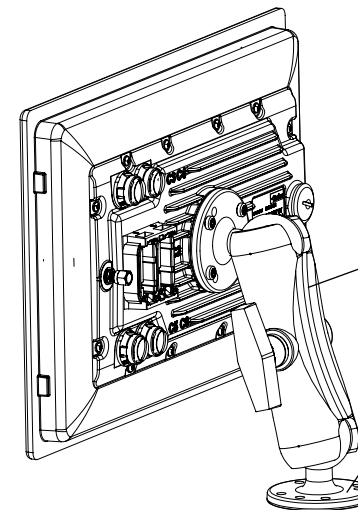
To fasten the RAM 2,5" round plate, use 4 x M4 screws of class 8.8 or higher. It is preferred to use Hex Socket Cap Screw ISO 4762 / DIN 912 or Pan Head Torx Machine Screw ISO 14583 TX / DIN 7985 type.

RAM round plate with ball
Recommended: C size 1,5" rubber ball connected to a 2,5" diameter round plate.

Mounting points (4 pieces)

CAUTION

The mounting points are blind holes with a maximum thread depth of 7,5 mm. Longer screws may damage the device when tightened.



RAM double socket arm

RAM round plate with ball

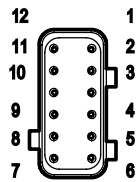
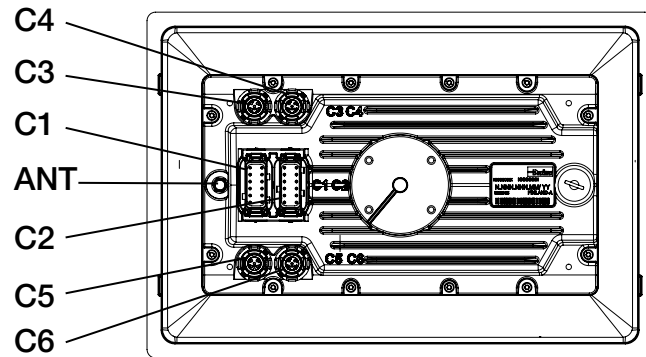
CAUTION

The torque recommendation need to be followed.

Recommended RAM mount accessories:

For 12-inch display, Parker recommends to use RAM round plate with 1,5" ball (2 x RAM-202) together with RAM double socket arm (RAM-201).

Wiring diagram

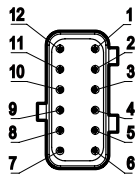


C1

Pin	Signal/Function	Pin	Signal/Function
1	GND	7	WAKE-UP
2	CAN1_L	8	CAN4_H
3	CAN2_L	9	CAN3_H
4	CAN3_L	10	CAN2_H
5	CAN4_L	11	CAN1_H
6	IGNITION_INPUT	12	+VBATT (SUPPLY)

Mating connector: Housing, Deutsch DTM06-12SA;
Terminals, Deutsch 1062-20-0222;
Sealing plugs, Deutsch 0413-204-2005

Recommended cable: 0,75 - 1,0 mm² (AWG 18)



C2

Pin	Signal/Function	Pin	Signal/Function
1	RS232_RXD_2	7	HSIDE_OUT
2	RS232_TXD_2	8	AUDIO_LINE_IN_OUT_R ¹
3	GND	9	AUDIO_LINE_IN_OUT_L ¹
4	AUDIO_LINE_OUT_L	10	MIC_N
5	AUDIO_LINE_OUT_R	11	MIC_P
6	GND	12	MIC_BIAS

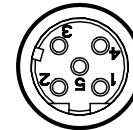
Mating connector: Housing, Deutsch DTM06-12SB;
Terminals, Deutsch 1062-20-0222;
Sealing plugs, Deutsch 0413-204-2005

Recommended cable: 0,75 - 1,0 mm² (AWG 18)

1 Default mode for these signals is Audio Line Input

Installation

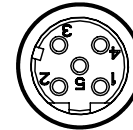
Pro Display 12



C3

Pin	Signal/Function
1	5V_USB1
2	USB1-
3	USB1+
4	GND
5	SHIELD

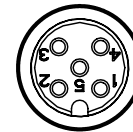
Mating connector:
M12-4pin male, D-coded (available from several manufacturers).



C4

Pin	Signal/Function
1	5V_USB0
2	USB0-
3	USB0+
4	GND
5	SHIELD

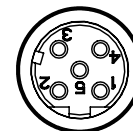
Mating connector:
M12-4pin male, D-coded (available from several manufacturers).



C5

Pin	Signal/Function
1	CVBS_IN1
2	CVBS_IN4
3	CVBS_IN3
4	CVBS_IN2
5	GND
6	SHIELD

Mating connector:
M12-5pin male, A-coded (available from several manufacturers).



C6

Pin	Signal/Function
1	TX+
2	RX+
3	TX-
4	RX-
5	SHIELD

Mating connector:
M12-4pin male, D-coded (available from several manufacturers).

Radio Antenna Connection:



ANT

Pin	Signal/Function
1	GND
2	AERIAL

Mating connector:
SMA male (available from several manufacturers).

Prototype installation cables

	Description	Parker ordering number
C1	Cable 2,5 meters, grey, key A	5030125 ¹
C2	Cable 2,5 meters, black, key B	5030126 ¹
Connector Kit	C1 & C2, grey & black, A + B	20073081 ¹

Communication cables

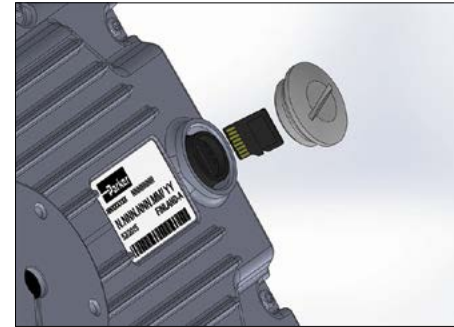
	Description	Parker ordering number
Ethernet	Cable M12 to RJ45, 1,5 meters	20077780 ¹
Ethernet	Adapter cable, panel mount, 1,5 meters	20077785 ¹
USB	Cable M12 to USB, 1,5 meters	88CABPRODUSB

- 1 These IQAN accessories are compatible with Pro Display 12. Check the latest order information from IQAN Accessories catalogue (MSG17-8319/UK) always before placing an order.

Installation

Pro Display 12

Micro SD Card Installation



NOTICE
Micro SD card slot must be always protected with a cover plug.

Installation of Micro SD card to Pro Display:

- Step 1 Remove the cover plug. You may need a small coin or preferably a screwdriver with a size 3 standard head for opening the cover.
- Step 2 Place Micro SD card into a slot as presented in the drawing above (the contacts are towards the product label).
- Step 3 Push the Micro SD card evenly into the slot bottom.
- Step 4 Secure the Micro SD card slot with cover plug. Tighten the plug lightly with small coin or screwdriver to prevent it loosening during operation, and maintain IP rating of the device.