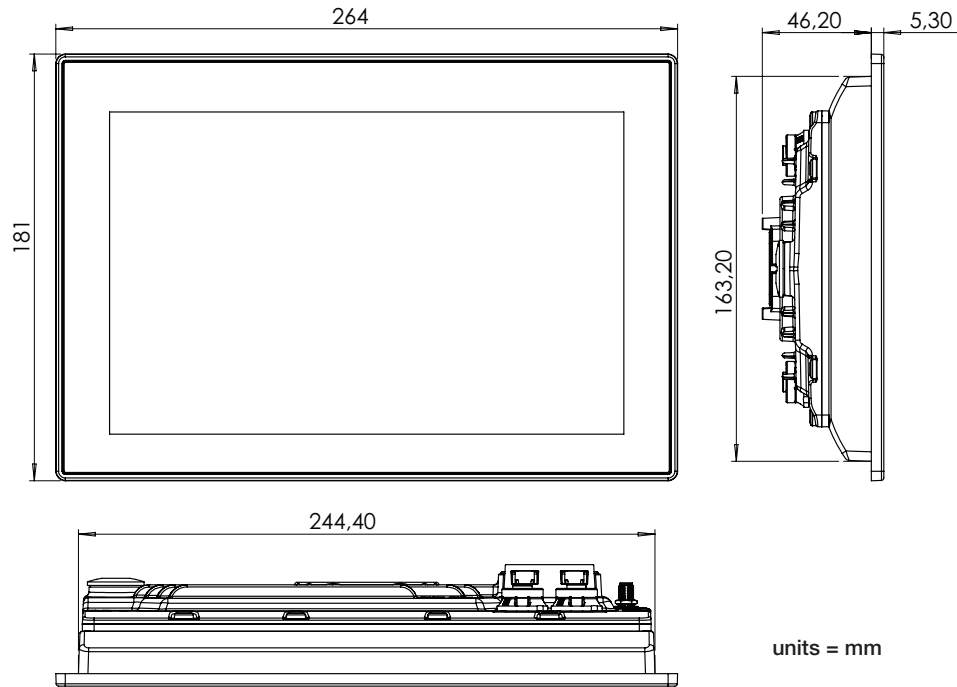


## Dimensions



### ⚠ WARNING

**FAILURE OR IMPROPER SELECTION OR IMPROPER USE OF THE PRODUCTS AND/OR SYSTEMS DESCRIBED HEREIN OR RELATED ITEMS CAN CAUSE DEATH, PERSONAL INJURY AND PROPERTY DAMAGE.**

This document and other information from Parker Hannifin Corporation, its subsidiaries and authorized distributors provide product and/or system options for further investigation by users having technical expertise. It is important that you analyze all aspects of your application, including consequences of any failure, and review the information concerning the product or system in the current product catalogue. Due to the variety of operating conditions and applications for these products or systems, the user, through its own analysis and testing, is solely responsible for making the final selection of the products and systems and assuring that all performance, safety and warning requirements of the application are met.

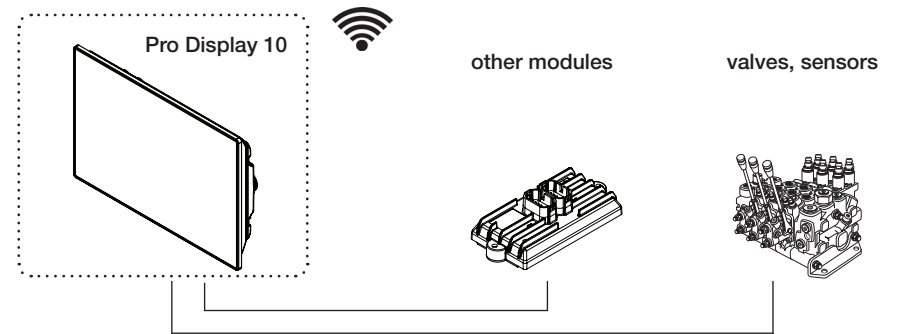
The products described herein, including without limitation, product features, specifications, designs, availability and pricing, are subject to change by Parker Hannifin Corporation and its subsidiaries at any time without notice.

## Installation

## Pro Display 10

Pro Display 10 part numbers:  
88PROD10AD10  
88PROD10AS10  
88PROD10AIS10

Publ.no: MSG17-4020-IS/UK  
Ed. 11/2022



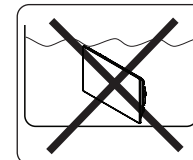
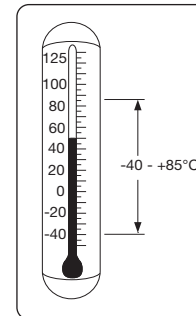
Pro Display 10 is compatible with many machine control systems. More detailed information regarding connectivity and system overview is found from the Instruction Book (MSG17-4020-IB/UK).

### ⚠ CAUTION

- Do not drop the module on hard surfaces.
- Do not open the module. For repair and service, please contact your authorized Parker distributor.

### ⚠ NOTICE

Before any installation of the system can take place, make sure that the ignition lock of the vehicle is turned off and that the battery is disconnected.



### ⚠ NOTICE

- Pro Display 10 is intended for vehicle in-cab use only.
- Sealing plugs must be inserted in all unused pin positions.



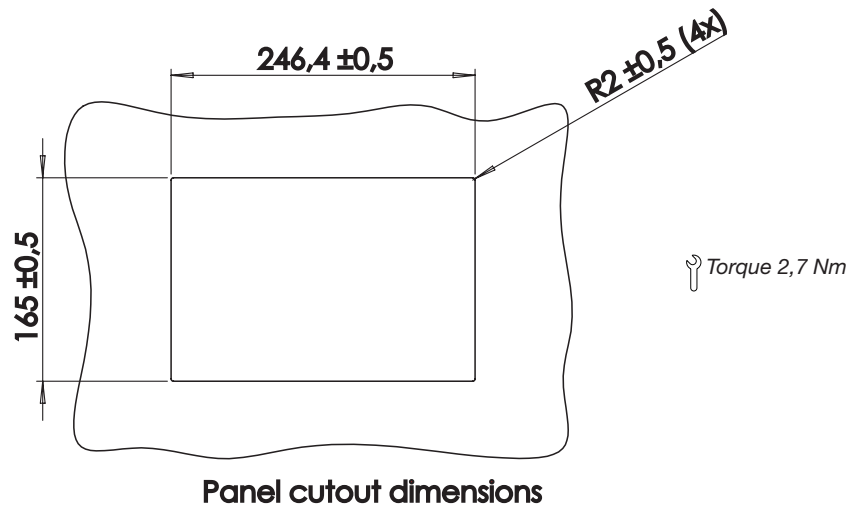
## Mounting Methods

Pro Display 10 has two alternative mounting methods: panel mounting or swivel mount (RAM mount).

Mount the device on to a smooth and flat surface. Device fastening to an uneven surface will stress the enclosure or damage the outer flange. Fastening on a rough or uneven surface will affect the sealing.

### Panel Assembly

Pro Display 10 can be assembled to vehicle dashboard, to separate panel in vehicle cabin, or for example to cabinet door in installations where exists separate electrification cabinet. Currently Pro Display 10 has no dedicated panel mounting kits available due to the fact that the panel thickness can vary depending on assembly surface and customer needs.

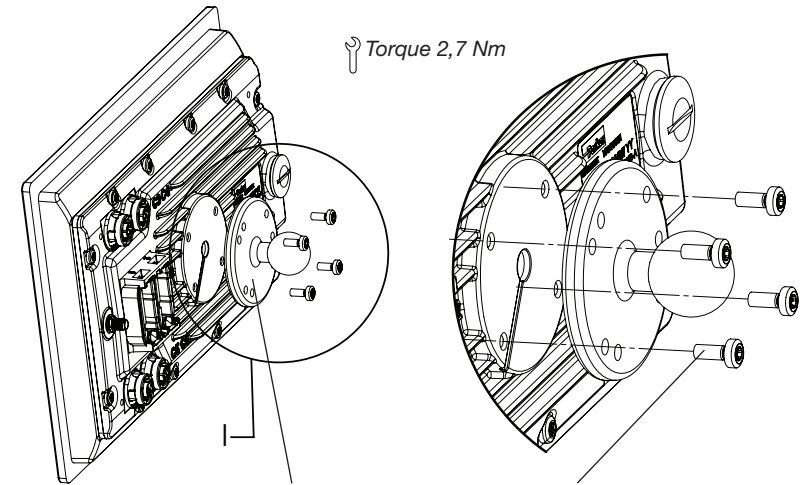


Follow the guidelines found from the *Pro Display 10 Instruction Book (doc. MSG17-4020IB-UK)*, in such case that Pro Display 10 will be mounted to panel or dashboard.

## Installation

## Pro Display 10

### Mounting with RAM Ball Mount

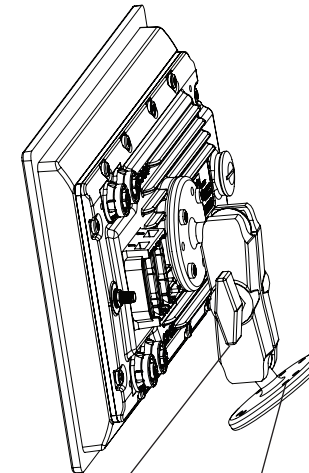


1" RAM ball base  
(RAM-B-202)

4 pcs:  
Screw M4  
Washer M4

Mounting with RAM ball allows adjustment of the display's position and angle.

To fasten the RAM 2,5" round plate, use 4 x M4 screws of class 8.8 or higher. It is preferred to use Hex Socket Cap Screw ISO 4762 / DIN 912 or Pan Head Torx Machine Screw ISO 14583 TX / DIN 7985 type.



1" RAM double socket  
arm (RAM-B-201)

1" RAM ball base  
(RAM-B-202)

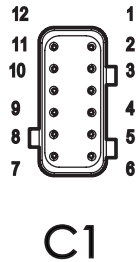
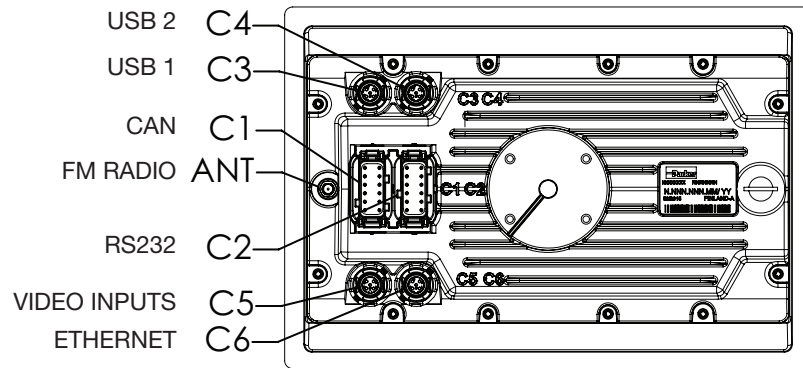
#### **CAUTION**

The mounting points are blind holes with a maximum thread depth of 7,5 mm. Longer screws may damage the device when tightened.

#### **CAUTION**

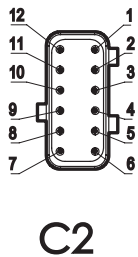
The torque recommendation need to be followed.

## Wiring diagram



Pin	Signal/Function	Pin	Signal/Function
1	GND	7	WAKE-UP
2	CAN1_L	8	CAN4_H
3	CAN2_L	9	CAN3_H
4	CAN3_L	10	CAN2_H
5	CAN4_L	11	CAN1_H
6	IGNITION_INPUT	12	+VBATT (SUPPLY)

Mating connector: Housing, Deutsch DTM06-12SA;  
 Terminals, Deutsch 1062-20-0222;  
 Sealing plugs, Deutsch 0413-204-2005  
 Recommended cable: 0,75 - 1,0 mm<sup>2</sup> (AWG 18)



Pin	Signal/Function	Pin	Signal/Function
1	RS232_RXD_2	7	HSIDE_OUT
2	RS232_TXD_2	8	AUDIO_LINE_IN_R
3	GND	9	AUDIO_LINE_IN_L
4	AUDIO_LINE_OUT_L	10	MIC_N
5	AUDIO_LINE_OUT_R	11	MIC_P
6	GND	12	MIC_BIAS

Mating connector: Housing, Deutsch DTM06-12SB;  
 Terminals, Deutsch 1062-20-0222;  
 Sealing plugs, Deutsch 0413-204-2005  
 Recommended cable: 0,75 - 1,0 mm<sup>2</sup> (AWG 18)

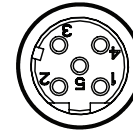
## Installation

## Pro Display 10



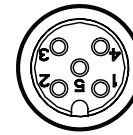
Pin	Signal/Function
1	5V_USB1
2	USB1-
3	USB1+
4	GND
5	SHIELD

Mating connector:  
 M12-4pin male, D-coded (available from several manufacturers).



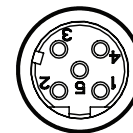
Pin	Signal/Function
1	5V_USB0
2	USB0-
3	USB0+
4	GND
5	SHIELD

Mating connector:  
 M12-4pin male, D-coded (available from several manufacturers).



Pin	Signal/Function
1	CVBS_IN1
2	12V_CAM
3	GND
4	CVBS_IN2
5	GND
6	SHIELD

Mating connector:  
 M12-5pin male, A-coded (available from several manufacturers).



Pin	Signal/Function
1	TX+
2	RX+
3	TX-
4	RX-
5	SHIELD

Mating connector:  
 M12-4pin male, D-coded (available from several manufacturers).

### Radio Antenna Connection:



Pin	Signal/Function
1	GND
2	AERIAL

Mating connector:  
 SMA male (available from several manufacturers).

## Development cables

	Description	Parker ordering number
Development kit	Development harness kit for Pro Display, 2,5 meters, for product development and table testing. C1 & C2 main connector harness equipped with most common communication and audio interface connectors.	88CABPRODDHK

## Prototype installation cables

	Description	Parker ordering number
C1	Cable 2,5 meters, grey, key A	5030125 <sup>1</sup>
C2	Cable 2,5 meters, black, key B	5030126 <sup>1</sup>
Connector Kit	C1 & C2, grey & black, A + B	20073081 <sup>1</sup>

## Communication cables

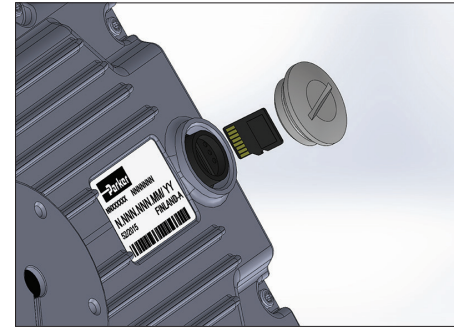
	Description	Parker ordering number
Ethernet	Cable M12 to RJ45, 1,5 meters	20077780 <sup>1</sup>
Ethernet	Adapter cable, panel mount, 1,5 meters	20077785 <sup>1</sup>
USB	Cable M12 to USB, 1,5 meters	88CABPRODUSB

<sup>1</sup> These IQAN accessories are compatible with Pro Display 10. Check the latest order information from IQAN Accessories catalogue (MSG17-8319/UK) always before placing an order.

## Installation

## Pro Display 10

### Micro SD Card Installation



**NOTICE**  
Micro SD card slot must be always protected with a cover plug.

Installation of Micro SD card to Pro Display:

- Step 1 Remove the cover plug. You may need a small coin or preferably a screwdriver with a size 3 standard head for opening the cover.
- Step 2 Place Micro SD card into a slot as presented in the drawing above (the contacts are towards the product label).
- Step 3 Push the Micro SD card evenly into the slot bottom.
- Step 4 Secure the Micro SD card slot with cover plug. Tighten the plug lightly with small coin or screwdriver to prevent it loosening during operation, and maintain IP rating of the device.