

General Description

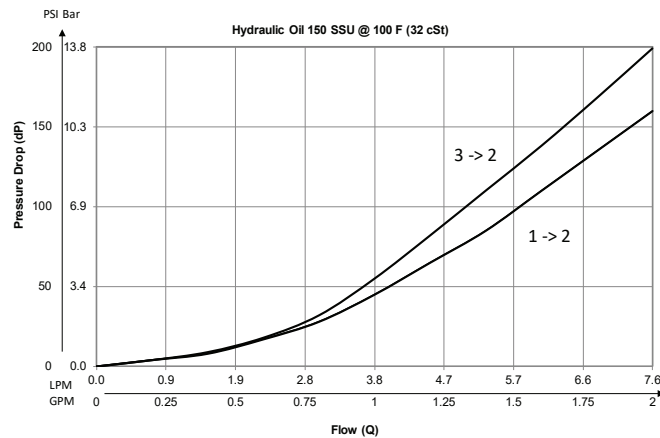
Cartridge Style Shuttle Valve.
 For additional information see Technical Tips on pages SH1-SH2.

Features

- Hardened working parts for maximum durability
- Rapid response to load direction changes
- All external parts zinc plated

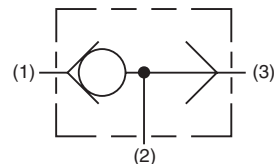
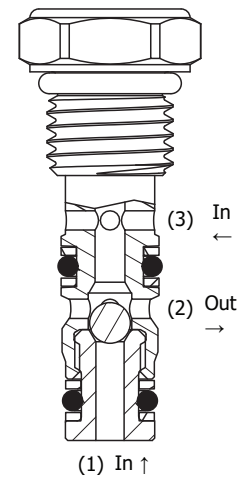
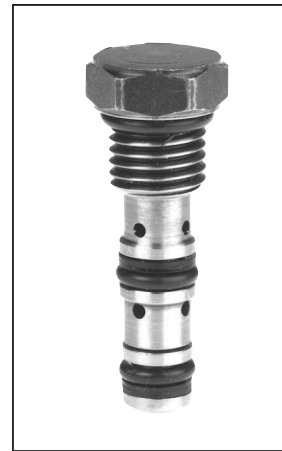
Performance Curve

Pressure Drop vs. Flow (Through cartridge only)

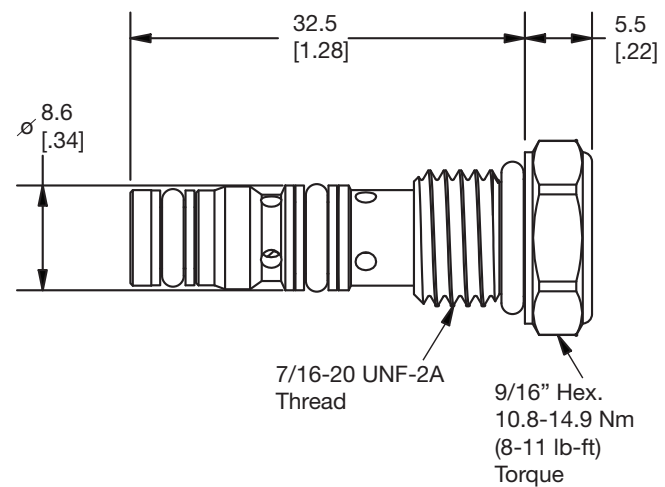


Specifications

Rated Flow	3.8 LPM (1 GPM)
Nominal Flow @ 7 Bar (100 PSI)	345 Bar (5000 PSI)
Leakage at 150 SSU (32cSt)	5 drops/min. (0.33 cc/min.)
Cartridge Material	All parts steel. All operating parts, hardened steel.
Operating Temp. Range/Seals	-34°C to +121°C (Nitrile, Buna-N) (-30°F to +250°F) -26°C to +204°C (Fluorocarbon) (-15°F to +400°F)
Fluid Compatibility/Viscosity	Mineral-based or synthetic with lubricating properties at viscosities of 45 to 2000 SSU (6 to 420 cSt)
Filtration	ISO-4406 18/16/13, SAE Class 4
Approx. Weight	0.2 kg (0.045 lbs.)
Cavity	C04-3 (See BC Section for more details)
Form Tool	Rougher NFT04-3R Finisher NFT04-3F



Dimensions Millimeters (Inches)



Ordering Information

CSH041
 04 Size Shuttle Valve Seals

Highlighted represents preferred options that offer the shortest lead times. Other options may be available, but at extended lead times.

Code	Seals / Kit No.
Omit	Nitrile / (SK04-3)
V	Fluorocarbon / (SK04-3V)

Order Bodies Separately
 See section BC

B04 - **3** -
 04 size 3-Way Cavity Port Size

Code	Porting / Body Material
4T	SAE-8 / Steel (5000 PSI)
A4T	SAE-8 / Aluminium (3000 PSI)

CV	Check Valves
SH	Shuttle Valves
LM	Load/Motor Controls
FC	Flow Controls
PC	Pressure Controls
LE	Logic Elements
DC	Directional Controls
MV	Manual Valves
SV	Solenoid Valves
PV	Proportional Valves
CE	Coils & Electronics
CB	Cartrpак Bodies
BC	Bodies & Cavities
TD	Technical Data