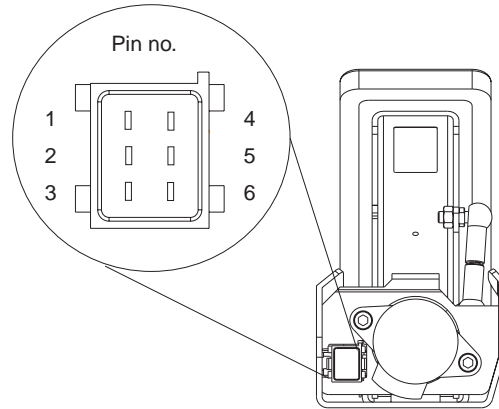
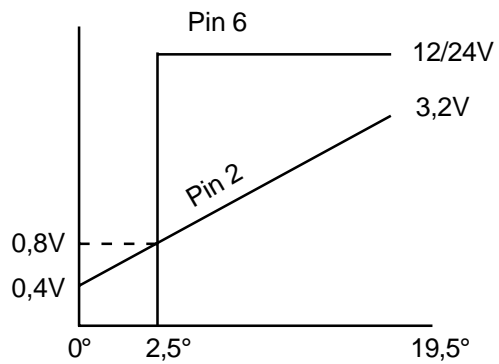


Wiring diagram

- Pin 1: not used
- Pin 2: output signal
- Pin 3: + 12/24V
neutral switch
- Pin 4: + 5Vref
potentiometer
- Pin 5: - Vref
potentiometer
- Pin 6: neutral switch

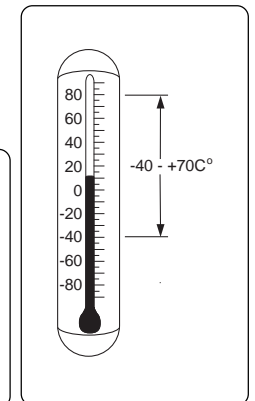
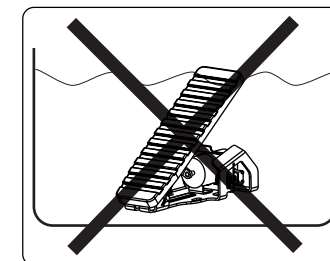
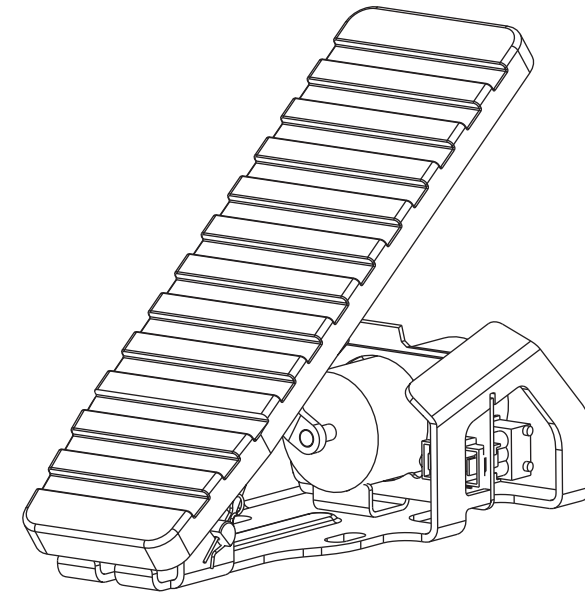


Mating connector kit: 5031022



Installation IQAN-LF1

Publ.no: M5010011A
Ed. A



IQAN-LF1

