

“RK” and “RJ” Cast Iron Rotatable Output Options

Parker Chelsea Products Division would like to announce two new cast iron rotatable flange output options for multiple PTO series in our portfolio. The “RK” output option will be available for 221, 267, 442, 447, 489, 660 and 680 series PTO’s. In addition, Parker Chelsea will be releasing the “RJ” option. Flanges rotate in 60-degree increments providing adjustability for direct mounted pumps. These flange options also are mounted to the PTO housing by six M10 capscrews for extra strength and support. **Both flange options will be available to order starting June 1st, 2019.**



The new “RK” option offers...

- Combined SAE “B” 2 or 4-bolt flange with a “B” shaft (7/8” -13 Tooth).
- More flexibility in inventory management by replacing the “RA” (S.A.E. “B” 2-Bolt Flange w/ “B” Shaft 7/8”-13T) and “RB” (S.A.E. “B” 4-Bolt Flange w/ “B” Shaft 7/8”-13T).
- The “RK” eventually will be standard on the greaseable GA, GB, GK, GQ, and be the choice in the future to replace the XK and XQ.

The new “RJ” option offers...

- S.A.E. “B” 2 or 4-bolt with a “BB” Shaft (1.00” -15 Tooth) and will replace the AF, RE, and RF option.
- The “RJ” option is only available in Wet-Spline for 267 and Flooded Output for all others (does NOT have a shaft seal). Wet-Spline has circulating oil supplied from the transmission (i.e. automatic transmission), and Flooded Output has oil present at the output, but the oil does not circulate (i.e. manual transmission).
- Chelsea recommends dual shaft seals in the hydraulic pump when using a Wet-Spline or Flooding Output PTO.

Along with the “RK” and “RJ” factory supplied output option, Parker Chelsea is also introducing XD to RK and XD to RJ field conversion kits (see attached page).

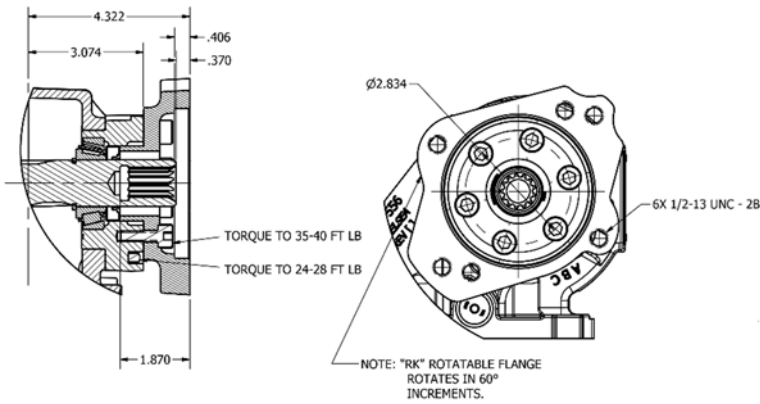
If you have questions about this bulletin or other technical questions, contact us at:

US: Chelsea Customer/Technical Services **1-888-PH4-TRUK** (1-888-744-8785)
Europe: Parker Hannifin Europe +49 (0) 371 3937 157

Stephen Uszak
Product Manager
Chelsea Products Division
Motion Systems Group

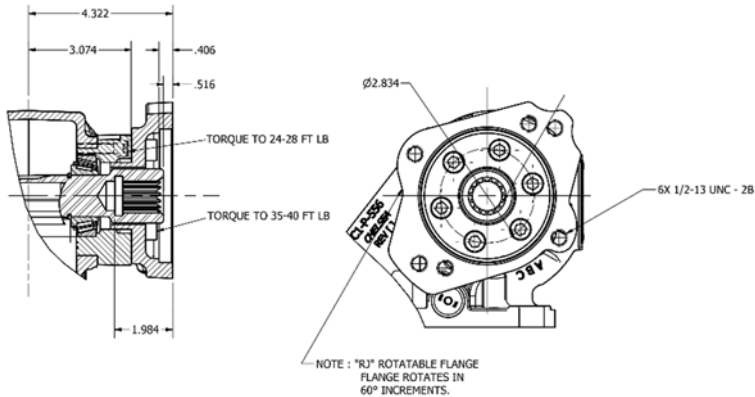
-CONT-

"RK" Option Dimensions and Conversion Kit Bill of Materials



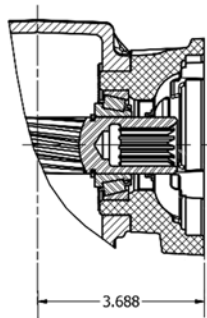
RK Output Option Rotatable SAE B 2 or 4-Bolt Flange, SAE B Shaft (7/8" – 13T)		
Part Number	Description	QTY
379688	Spline Lubricant (Dry/Greaseable)	1
379638	Field Conversion Tag	1
378447-7	Hex Flange Head Capscrew .312"-18 x 1.25"	4
378391	Lockring	2
329656X	Bearing Flange	1
3-P-283X	Shaft Output (Dry and Wet)	1 or
3P-923X	Shaft Output (Greaseable)	1
28-P-216	Oil Seal 2.004"x1.25"x.374" (Dry/Greaseable)	1
21-P-734	Pump Flange	1
22-P-127-1	Bearing Cap Gasket – 0.010"	2
22-P-127-2	Bearing Cap Gasket – 0.020"	2
22-P-127-3	Bearing Cap Gasket – 0.015"	1
379740-6	Hex Flange Capscrew M10x1.50x25	6
Wet Spline Loose Parts		
329057-4X	Hose Assembly	1
329681X	Wet Spline Parts Kit	1
379231	Pipe Plug	1
22-P-126	Gasket	1
Greaseable Loose Parts		
328273X	Bearing Cap Assembly (442/489)	1 or
329273X	Bearing Cap Assembly (660/680)	1
28-P-268	Oil Seal 2.004"x1.00"x.437"	1
328591-159X	Conversion Kit (XD to RK) - Dry	Contact for pricing after June 1 st , 2019
328591-160X	Conversion Kit (XD to RK) - Wet	
328591-161X	Conversion Kit (XD to RK) – Greaseable	
328591-163X	Conversion Kit (XD to RK) – Greaseable (660/680)	

"RJ" Option Dimensions and Conversion Kit Bill of Materials

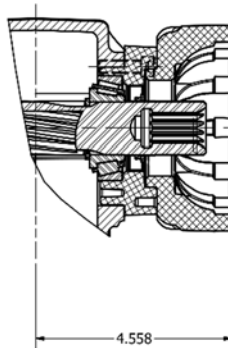


RJ Output Option Rotatable SAE B 2 or 4-Bolt Flange, SAE BB Shaft (1.00" – 15T)		
Part Number	Description	QTY
379638	Field Conversion Tag	1
378447-7	Hex Flange Head Capscrew .312"-18 x 1.25"	4
378391	Lockring	2
329656X	Bearing Flange	1
3-P-854X	Shaft Output	1
21-P-734	Pump Flange	1
22-P-127-1	Bearing Cap Gasket – 0.010"	2
22-P-127-2	Bearing Cap Gasket – 0.020"	2
22-P-127-3	Bearing Cap Gasket – 0.015"	1
379740-6	Hex Flange Capscrew M10x1.50x25	6
329057-4X	Hose Assembly	1
329681X	Wet Spline Parts Kit	1
379231	Pipe Plug	1
22-P-126	Gasket	1
328591-162X	Conversion Kit (XD to RJ) – Wet Spline Only	Contact for pricing after June 1 st , 2019

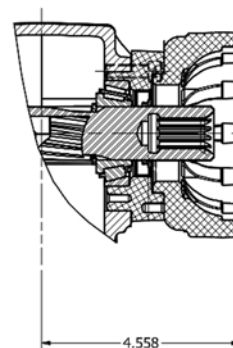
Dimensional Comparisons



"XK" Option



"RA" Option



"RB" Option