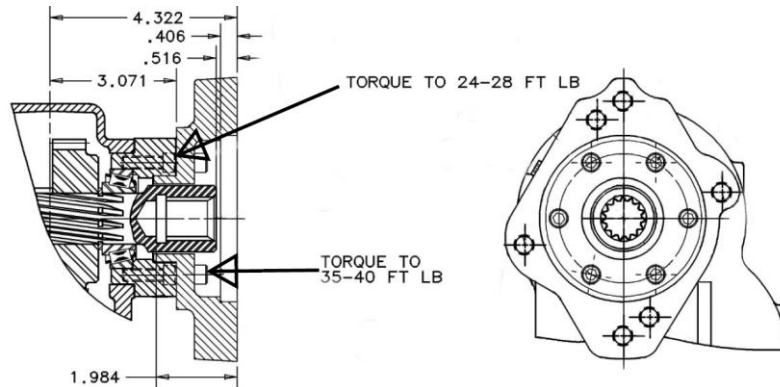


New “RJ” Output Flange 267 Series Power Take-Off

Chelsea continues to expand the wet spline output flange options with the introduction of the “RJ” rotatable pump flange option for the 267 Series Constant Mesh Power Take-Off (PTO).

Features of the “RJ” output:

- The “RJ” is a S.A.E. “B” 2 or 4 bolt flange with 1.0” - 15 tooth shaft
- Pump Flange can be rotated in 60° increments for maximum pump clearance
- Wet Spline standard which helps to reduce spline wear between the PTO and pump shafts by a factor of 10
- Conversion Kit to change the “XD” output to the “RJ” output – 329684X
- Wet Spline Installation Kit – 329681X

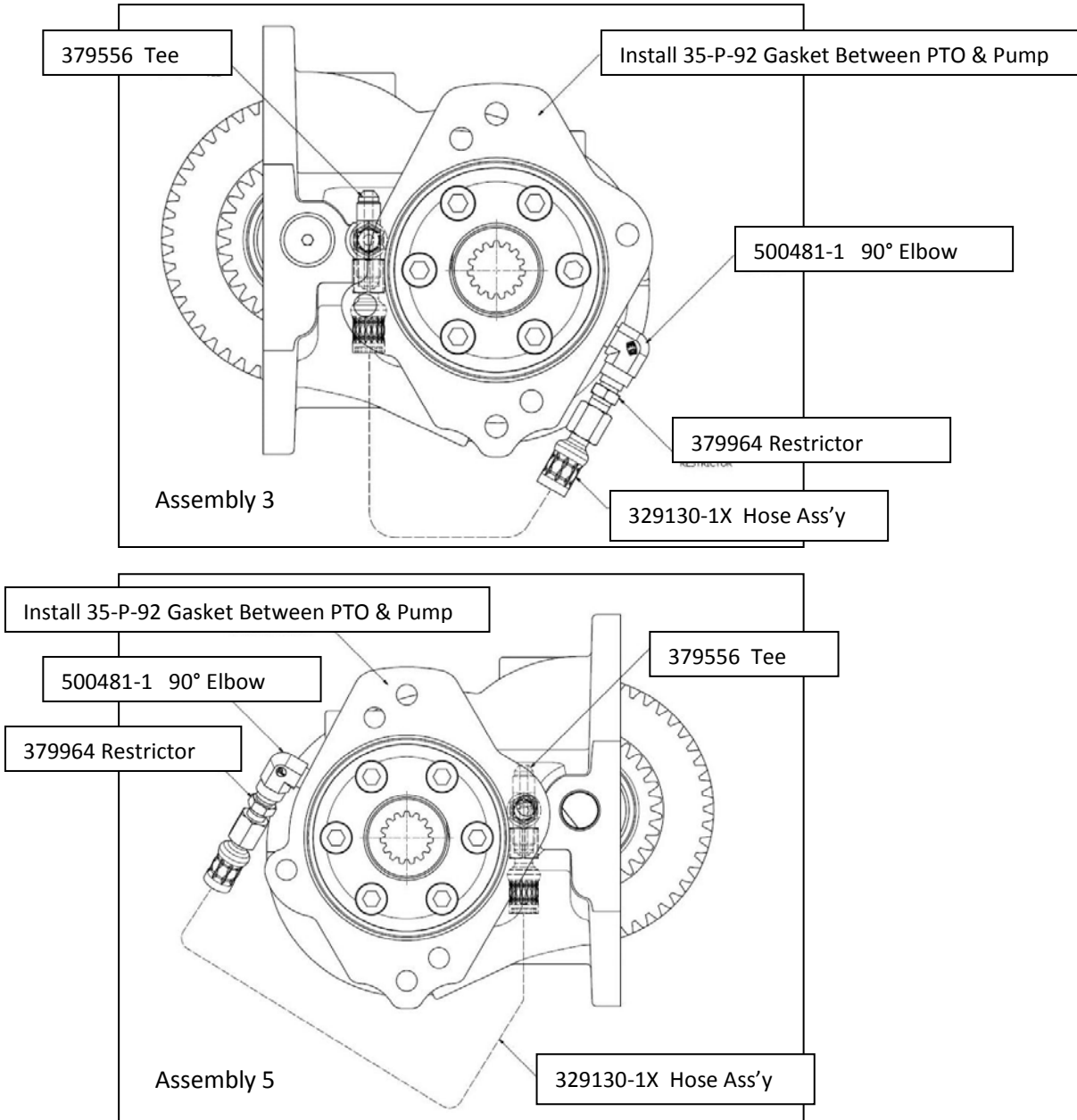


Bill of Material

Part Number	Description	Quantity
3-P-854	OUTPUT SHAFT	1
329656X	BEARING CAP ASSEMBLY (21-P-732)	1
21-P-734	PUMP FLANGE	1
379681	PLUG-PIPE THREAD	1
379740-6	SOCKET HEAD CAPSCREW (M10-1.5 x .984)	6
22-P-126	GASKET	1
378447-8	SOCKET HEAD CAPSCREW (.312-18 x 1.500)	4
329681X	KIT-INSTALLATION –WET SPLINE	1
329684X	PUMP KIT – CONVERSION (“XD” to “RJ”)	1

OVER

Hose and Fitting Information



If you have questions about this bulletin or other technical questions, contact us at:

US: Chelsea Customer/Technical Services at **1-888-PH4-TRUK** (1-888-744-8785) or Fax 662.895.1069

Canada: Parker Hannifin Canada 905-693-3020 Europe: Chelsea UK +44(0)1384 282777

Walt Harris
Product Sales Manager
Chelsea Products