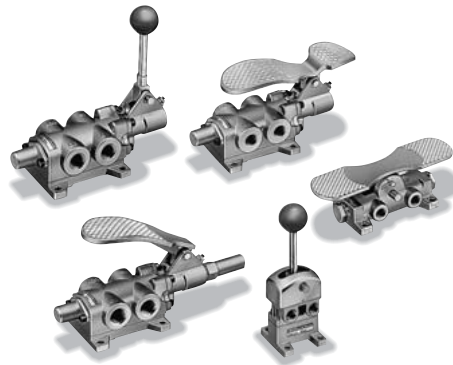


4-port selector valves for manual and foot operation

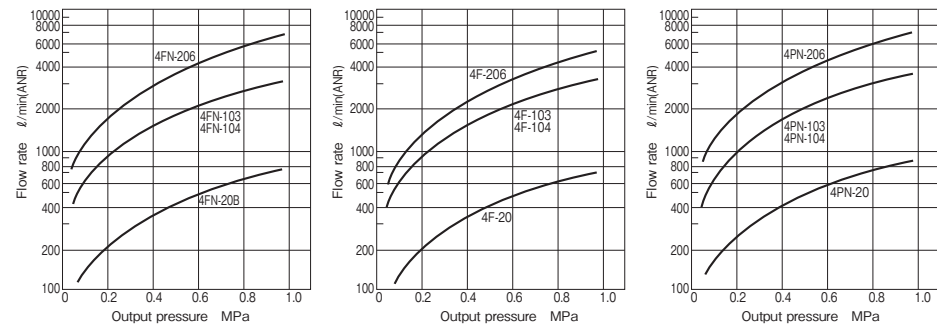
- A wide variety of models from Rc1/4 to Rc3/4 are available.
- The valves can be freely installed. When they are installed in any posture, they can work satisfactorily.
- Rigid structure
- Lubrication-free



Valve Specifications

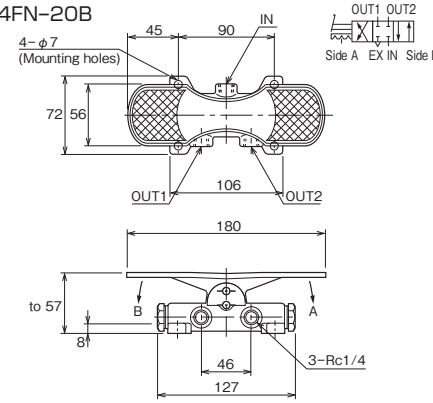
Item	Series	Foot valve								Hand valve			
		4FN-20B	4FN-103	4FN-104	4FN-206	4F-20	4F-103	4F-104	4F-206	4PN-20	4PN-103	4PN-104	4PN-206
Symbol													
Port size		Rc1/4	Rc3/8	Rc1/2	Rc3/4	Rc1/4	Rc3/8	Rc1/2	Rc3/4	Rc1/4	Rc3/8	Rc1/2	Rc3/4
Effective sectional area		6.3	31	31	58	6.3	31	31	58	7.3	31	31	58
Working fluid		Air											
Lubrication		Unnecessary (but possible)											
Working pressure range		0 to 1 MPa											
Proof test pressure		1.5 MPa											
Working temperature range (ambient/fluid temperature)		-10 to +50°C (No freezing)											
Installing method		Free											
Recommended lubricant		JIS K2213 Class 1 (additive-free turbine oil ISO VG32) or its equivalent											
Weight		1.3	2.6	5.0	1.4	2.6	5.0	0.9	2.3	4.5			

Flow Characteristic Curves



3-position closed center

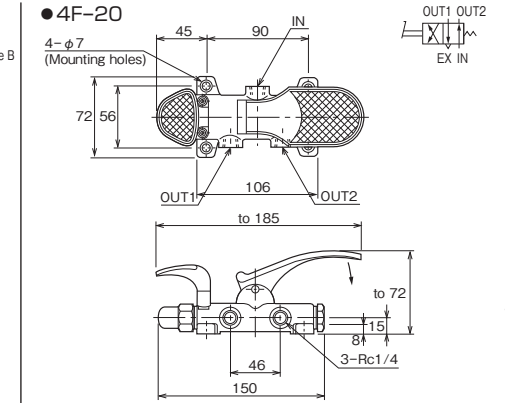
● 4FN-20B



Note) Since the exhaust (EX) has a square hole, a silencer cannot be attached to it.

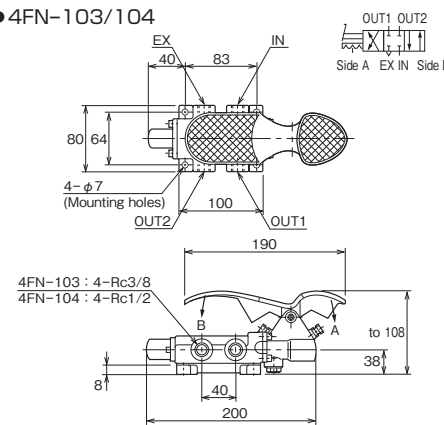
2-position spring return

● 4F-20

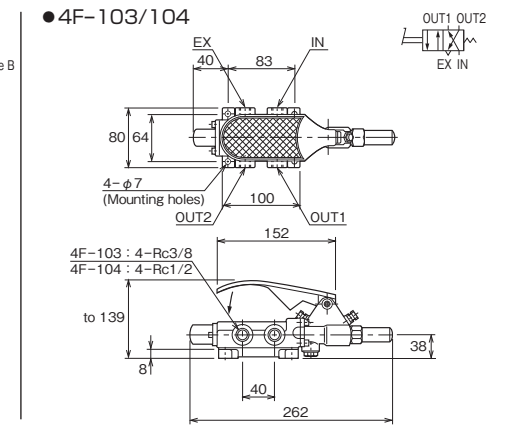


Note) Since the exhaust (EX) has a square hole, a silencer cannot be attached to it.

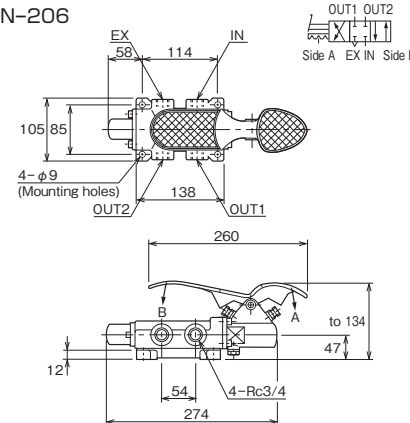
● 4FN-103/104



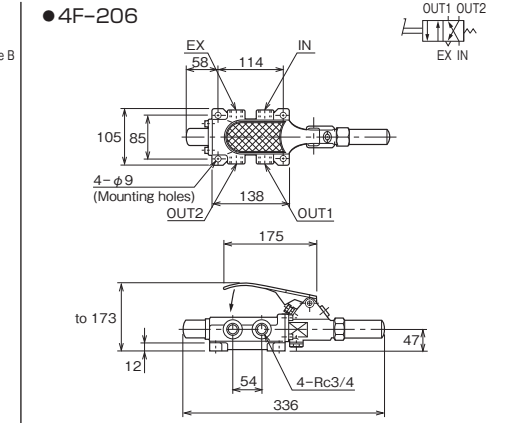
● 4F-103/104



● 4FN-206

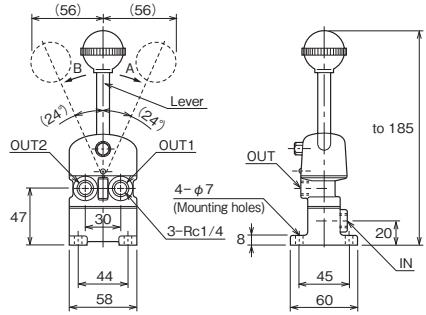
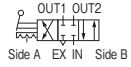


● 4F-206

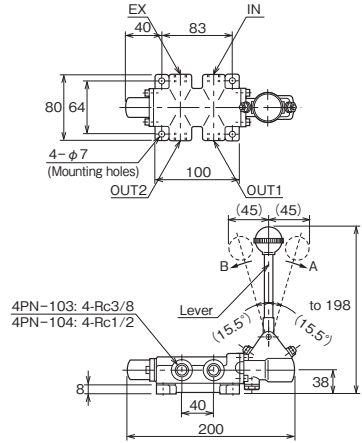
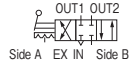


3-position closed center

● 4PN-20



● 4PN-103/104



Note) Since the exhaust (EX) is open to the atmosphere, a silencer cannot be attached to it.

● 4PN-206

