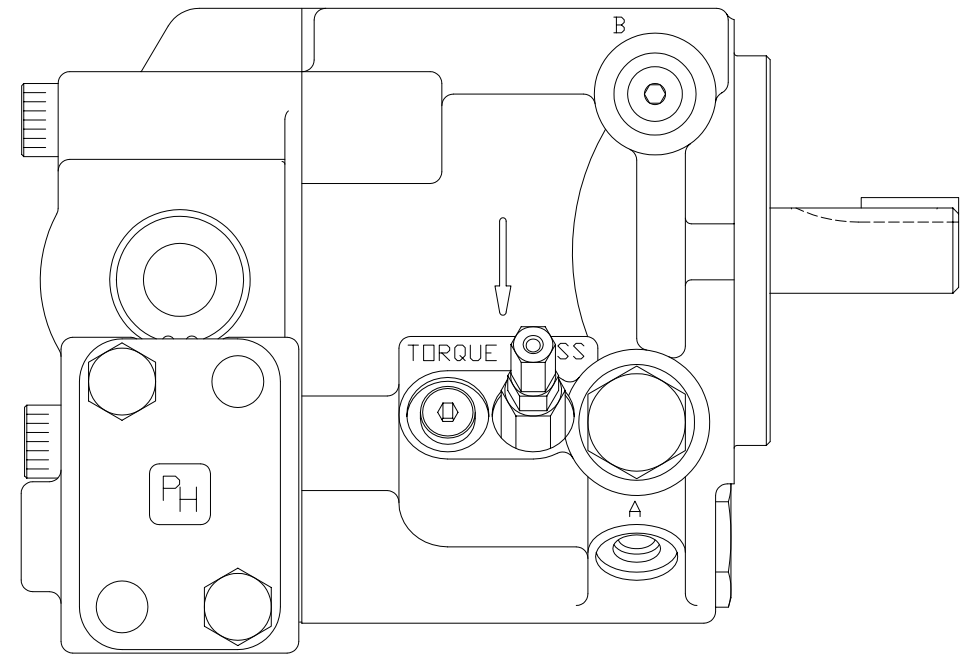
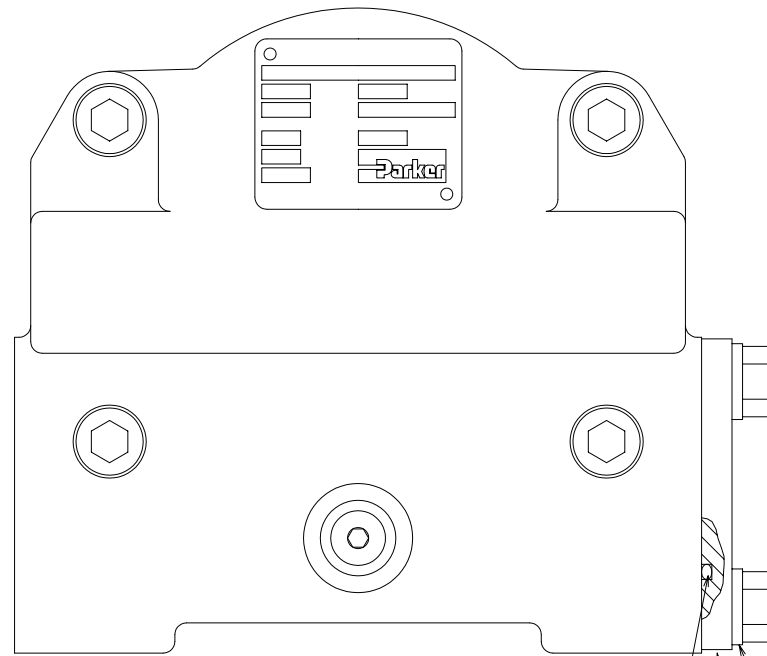
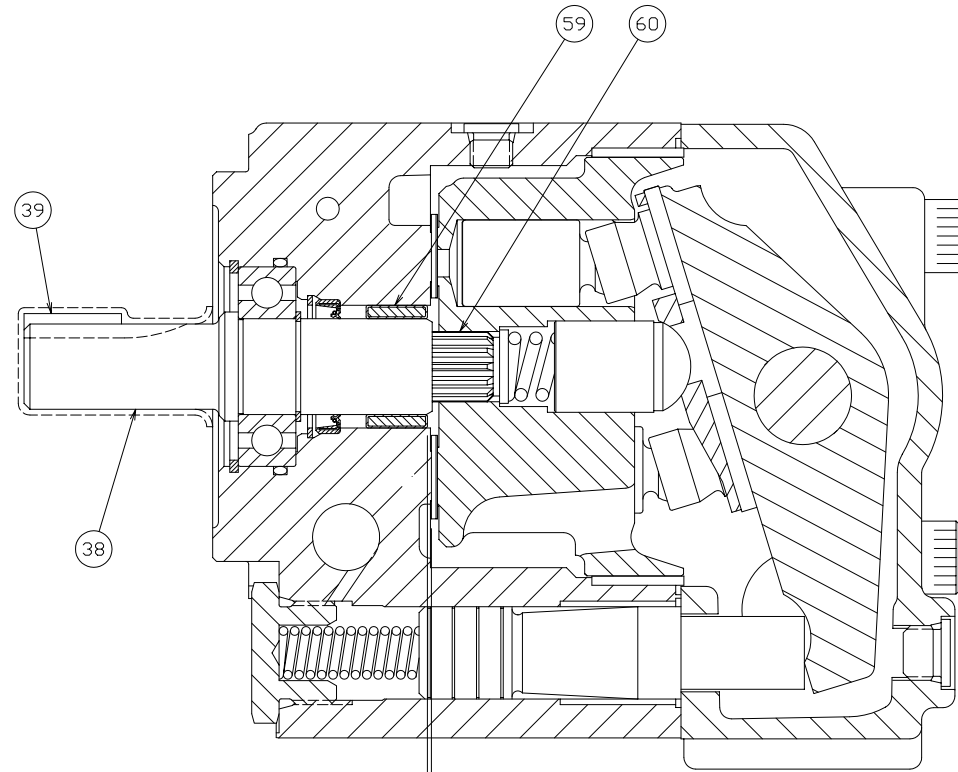


NOTES:
 1. PUMP SHOWN IS A COUNTER CLOCKWISE ROTATION PUMP WITH THE REAR INLET PORTING OPTION. FOR CLOCKWISE ROTATION ALL PORTS AND CONTROLS WILL BE REVERSED EXCEPT THE INLET PORT.

REV	ECN NO	REVISION	CHG BY	DATE
-	-	SEE PAGE 1	-	-
DRAWN BY: E. D. BERRY		DATE: 26AUG03		
APPROVED:		DATE:		
SCALE:		-		
HYDRAULIC PUMP/MOTOR DIV				
TITLE: SEVICE PARTS PAVC33/38				
SHEET NO:	SIZE	DRAWING NO:	REV.	STATUS
2 OF 5	D	789672	-	PR

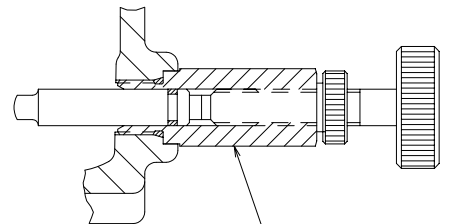
HEAT TREAT:	SUPERSEDES:	PART MUST CONFORM TO ENGR. STD'S: ESM 1000 ANST STD. Y14.5-1994 APPLIES EXCEPT MVC APPLIES TO POSITIONAL TOLERANCES WHEN NO MODIFIER IS SPECIFIED.
-	-	
FINISH:	MATERIAL:	ALL DIMENSIONS ARE IN INCHES. TOLERANCE IN DECIMAL DIMENSIONS IS AS FOLLOWS, UNLESS OTHERWISE SPECIFIED: 1 PLACE (.0) ± .060 2 PLACE (.00) ± .030 3 PLACE (.000) ± .010
-	-	ANGLES ± 2°



DUAL SHAFT BEARING
CONFIGURATION SHOWN
(OPTION 9)

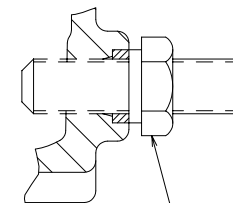
040
060
INSTALLED DEPTH OF
NEEDLE BEARING, ITEM
#59 BELOW PORT PLATE
FACE OF HOUSING

49 48 47 46
30 FT. -LB.
TORQUE
(B)



MAXIMUM VOLUME STOP
WITH O-RING SEAL
VARIATION-5

57
200 IN. -LB.
TORQUE



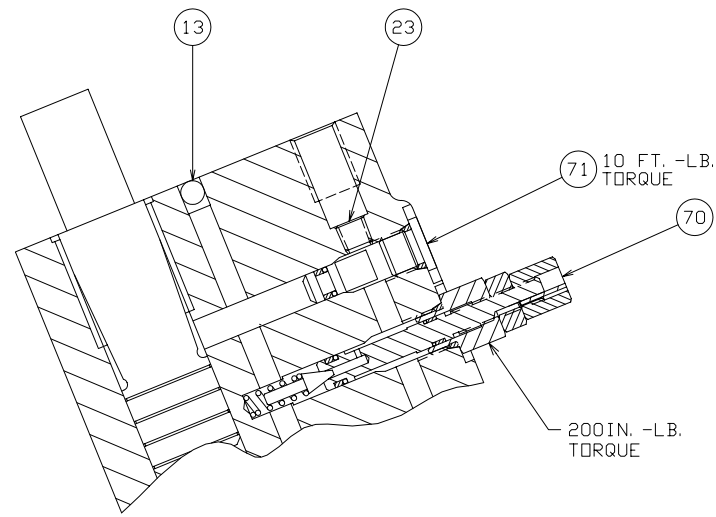
MAXIMUM VOLUME STOP
VARIATION-2

56
30 FT. -LB.
TORQUE

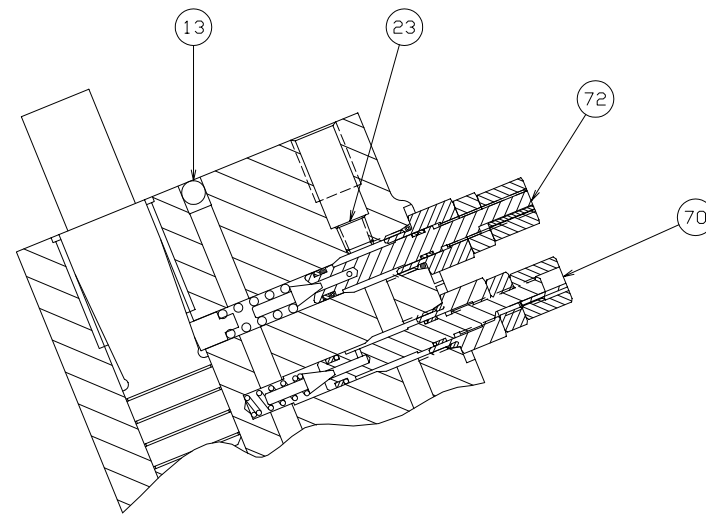
NOTES:

1. PUMP SHOWN IS A COUNTER CLOCKWISE ROTATION PUMP WITH THE SIDE INLET PORTING OPTION. FOR CLOCKWISE ROTATION PUMP THE PORTS AND CONTROLS WILL ALL BE REVERSED.
2. PUMP IS ALSO SHOWN WITH DUAL SHAFT BEARING OPTION "9" FOR WHERE SHAFT SIDE LOADS MAY OCCUR.
3. WITH SIDE INLET PORTING OPTION THERE ARE TWO INLET PORTS. ONE IS LEFT OPEN AND ONE IS COVERED. FACTORY CONFIGURATION HAS THE INLET FLANGE ON THE SAME SIDE AS THE CONTROLS COVERED. DEPENDING UPON APPLICATION IT MAY BE MORE DESIRABLE TO USE THE OTHER INLET PORT, IF SO JUST MOVE COVER TO OPPOSITE SIDE AND PLUMB TO OTHER FLANGE SURFACE.

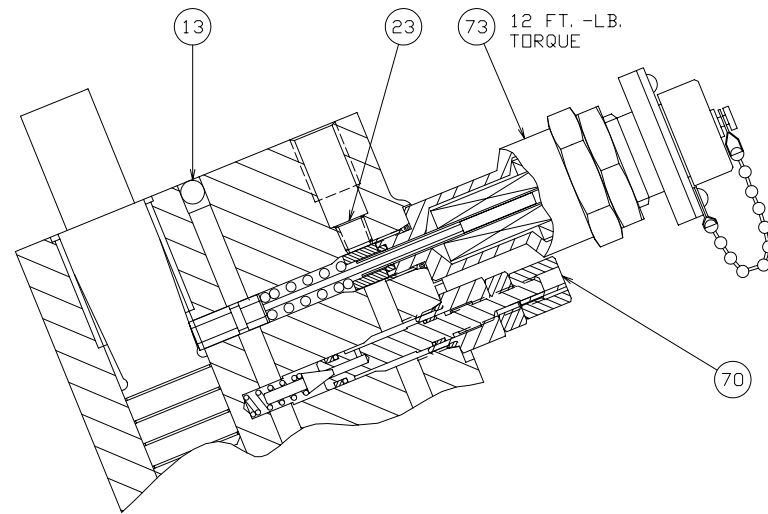
-		SEE SHEET 1		-	
REV	ECN NO	REVISION	CHG BY	DATE	
DRAWN BY: E. D. BERRY		DATE: 26AUG03			
APPROVED:		DATE:			
SCALE:					
				HYDRAULIC PUMP/MOTOR DIV	
TITLE: SEVICE PARTS PAVC33/38					
HEAT TREAT:	SUPERSEDES:	PART MUST CONFORM TO ENGR. STD'S: ESM 1000 ANST. STD. Y14.5-1994 APPLIES EXCEPT WHC APPLIES TO POSITIONAL TOLERANCES WHEN NO MODIFIER IS SPECIFIED.			
	SUPERSEDED BY:	ALL DIMENSIONS ARE IN INCHES. TOLERANCE ON DECIMAL DIMENSIONS IS AS FOLLOWS, UNLESS OTHERWISE SPECIFIED:			
FINISH:	MATERIAL:	1 PLACE (.01) ± .060	2 PLACE (.00) ± .030	3 PLACE (.000) ± .010	ANGLES ± 2°
SHEET NO:	SIZE:	DRAWING NO:	REV:	STATUS:	
3 OF 5	D	789672	-	PR	



CONTROL OPTION OMIT, A, M, ME & AM
SECTION Y-Y



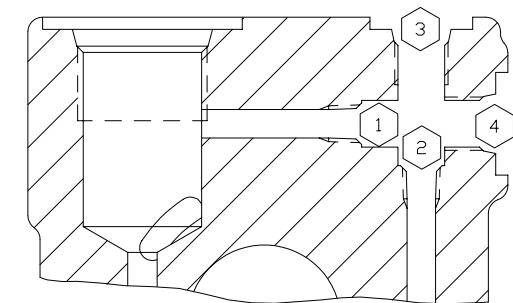
CONTROL OPTION H, C, HM & CM
SECTION Y-Y



CONTROL OPTION S & SE
SECTION Y-Y

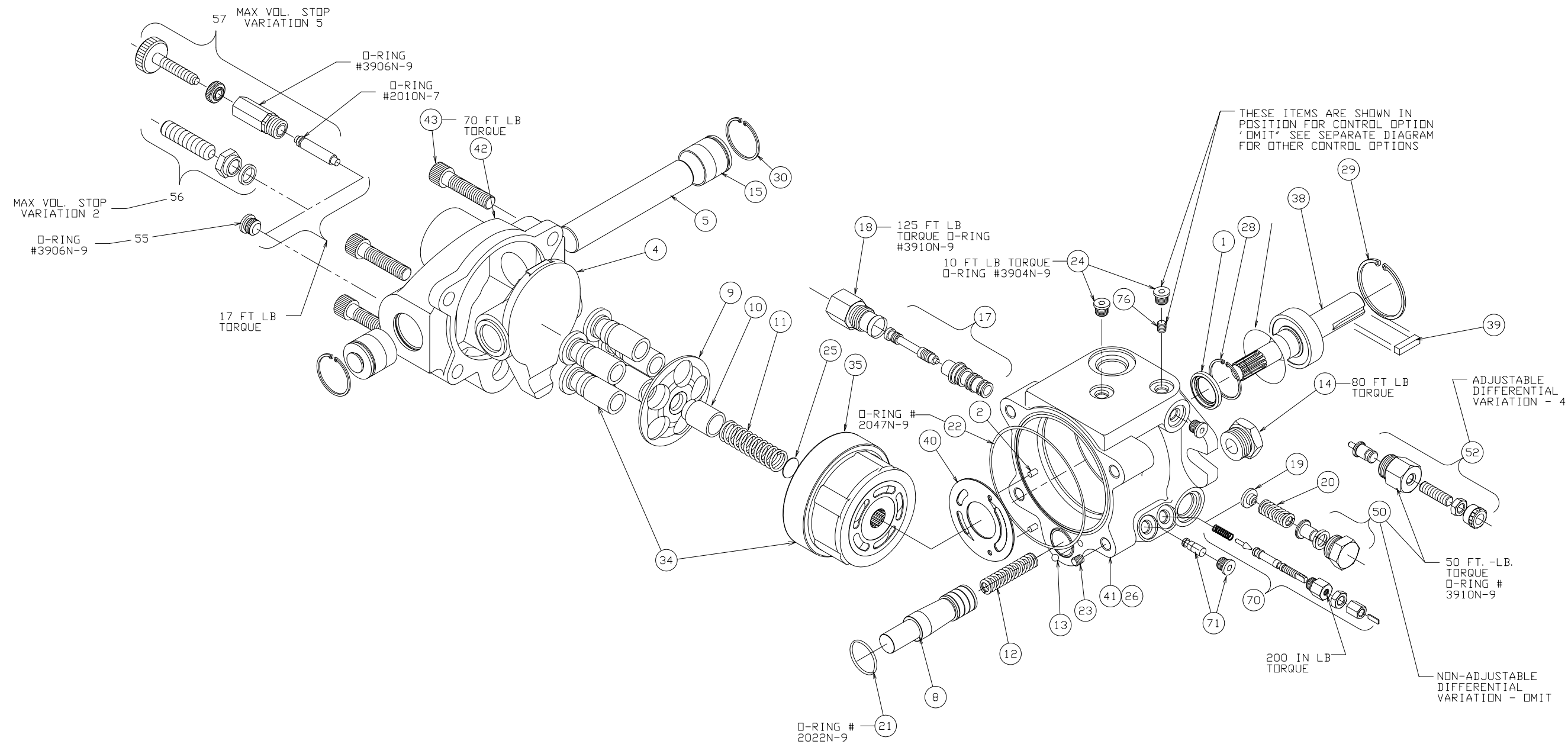
CONTROL OPTION	POSITION			
	1	2	3	4
OMIT	OPEN	800599	108X4	108X4
A	102X1	800599	OPEN	108X4
C	102X1	800599	OPEN	108X4
H	OPEN	800599	108X4	108X4
M	800599	OPEN	OPEN	108X4
ME	102X1	800599	OPEN	108X4
S	800599	OPEN	OPEN	108X4
SE	102X1	800599	OPEN	108X4
AM	102X1	800599	786635	OPEN
CM	102X1	800599	786635	OPEN
HM	800599	OPEN	OPEN	108X4

FOR INLET PORT OPTION '8'
SAE STRAIGHT THREAD PLUGS (108X4)
ARE REPLACED WITH ISO6149 STRAIGHT
THREAD PLUGS (788516-04)



SECTION X-X

REV	ECN NO	REVISION	CHG BY	DATE
-	-	SEE SHEET 1	-	-
DRAWN BY: E. D. BERRY		DATE: 26AUG03		
APPROVED:		DATE:		
SCALE:		-		
HYDRAULIC PUMP/MOTOR DIV				
TITLE: SEVICE PARTS PAVC33/38				
HEAT TREAT:	SUPERSEDES:	PART MUST CONFORM TO ENGR. STD'S: ESM 1000		
-	-	ANSI STD. Y14.5-1994 APPLIES EXCEPT		
SUPERSEDED BY:		MVC APPLIES TO POSITIONAL TOLERANCES		
-		WHEN NO MODIFIER IS SPECIFIED.		
MATERIAL:		ALL DIMENSIONS ARE IN INCHES.		
-		TOLERANCE IN DECIMAL DIMENSIONS IS AS		
-		FOLLOWS, UNLESS OTHERWISE SPECIFIED:		
-		1 PLACE (.01) ± .060		
-		2 PLACE (.00) ± .030		
-		3 PLACE (.000) ± .010		
-		ANGLES ± 2°		
SHEET NO:	SIZE	DRAWING NO:	REV.	STATUS
4 OF 5	D	789672	-	PR



-	-	SEE SHEET 1	-	-
REV	ECN NO	REVISION	CHG BY	DATE
DRAWN BY: E. D. BERRY	DATE: 26AUG03	HYDRAULIC PUMP/MOTOR DIV		
APPROVED:	DATE:	SCALE:		
TITLE: SEVICE PARTS PAVC33/38				
SHEET NO:	SIZE:	DRAWING NO:	REV:	STATUS:
5 OF 5	D	789672	-	PR

HEAT TREAT: -
FINISH: -
SUPERSEDES: -
SUPERSEDED BY: -
MATERIAL: -
PART MUST CONFORM TO ENGR. STD'S: ESM 1000
ANST. STD. Y14.5-1994 APPLIES EXCEPT HMC APPLIES TO POSITIONAL TOLERANCES WHEN NO MODIFIER IS SPECIFIED.
ALL DIMENSIONS ARE IN INCHES
TOLERANCE IN DECIMAL DIMENSIONS IS AS FOLLOWS, UNLESS OTHERWISE SPECIFIED:
1 PLACE (.00) ± .060
2 PLACE (.00) ± .030
3 PLACE (.000) ± .010
ANGLES ± 2°