

General Description

Series D10P directional control valves are 5-chamber, pilot operated valves. They are available in 2 or 3-position styles. These valves are manifold or subplate mounted, and conform to NFPA's D10, CETOP 10 mounting pattern.

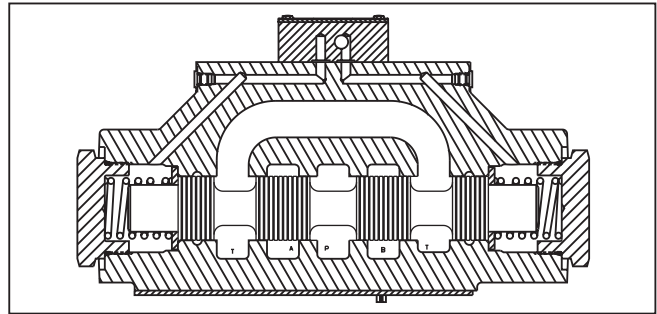
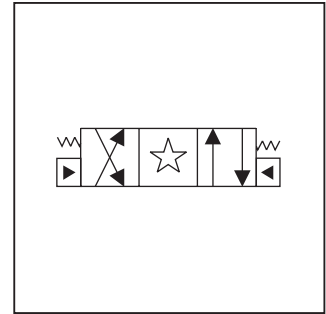
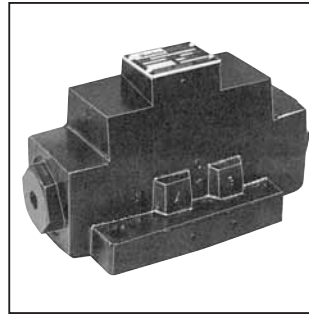
Features

- Low pressure drop design.
- Hardened spools provide long life.

Specifications

Mounting Pattern	NFPA D10, CETOP 10, NG32
Max. Operating Pressure	207 Bar (3000 PSI)
Max. Tank Line Pressure	207 Bar (3000 PSI)
Max. Drain Pressure	207 Bar (3000 PSI)
Min. Pilot Pressure	4.4 Bar (65 PSI)
Max. Pilot Pressure	207 Bar (3000 PSI)
Nominal Flow	378 LPM (100 GPM)
Maximum Flow	See Reference Chart

For flow path, pilot drain and pilot pressure details, see Installation Information.



Response Time

Response time will vary with pilot line size, pilot line length, pilot pressure shift time and flow capacity of the control valve.

Shift Volume

The pilot chamber requires a volume of 1.51 in³ (24.75 cc) for center to end.

Ordering Information

D Directional Control Valve	10 Basic Valve NFPA D10 CETOP 10	P Actuator Oil Operator	□ Spool	□ Style	□ Pilot Supply and Drain	□ Seal Code Type N Nitrile V Fluorocarbon	□ Valve Variations	□ Design Series NOTE: Not required when ordering.																																																
			<table border="1"> <thead> <tr> <th>Code</th> <th>Symbol</th> </tr> </thead> <tbody> <tr> <td>1</td> <td></td> </tr> <tr> <td>2</td> <td></td> </tr> <tr> <td>4</td> <td></td> </tr> <tr> <td>8*</td> <td></td> </tr> <tr> <td>9**</td> <td></td> </tr> <tr> <td>11</td> <td></td> </tr> </tbody> </table> <p>* 8 spool has closed crossover. ** 9 spool has open crossover.</p>	Code	Symbol	1		2		4		8*		9**		11		<table border="1"> <thead> <tr> <th>Code</th> <th>Description</th> </tr> </thead> <tbody> <tr> <td>2</td> <td>Ext. Pilot / Ext. Drain</td> </tr> <tr> <td>5#</td> <td>Ext. Pilot / Int. Drain</td> </tr> </tbody> </table> <p># Available in "B" & "H" styles only.</p>	Code	Description	2	Ext. Pilot / Ext. Drain	5#	Ext. Pilot / Int. Drain	<table border="1"> <thead> <tr> <th>Code</th> <th>Description</th> <th>Symbol</th> </tr> </thead> <tbody> <tr> <td>7</td> <td>Pilot Choke – Meter Out</td> <td></td> </tr> <tr> <td>8</td> <td>Stroke Adj. 'B' End</td> <td></td> </tr> <tr> <td>9</td> <td>Stroke Adj. 'A' End</td> <td></td> </tr> <tr> <td>60</td> <td>Pilot Choke – Meter In</td> <td></td> </tr> <tr> <td>89</td> <td>Stroke Adj. 'A' & 'B' Ends</td> <td></td> </tr> </tbody> </table>	Code	Description	Symbol	7	Pilot Choke – Meter Out		8	Stroke Adj. 'B' End		9	Stroke Adj. 'A' End		60	Pilot Choke – Meter In		89	Stroke Adj. 'A' & 'B' Ends		<table border="1"> <thead> <tr> <th>Code</th> <th>Description</th> <th>Symbol</th> </tr> </thead> <tbody> <tr> <td>B†</td> <td>Sgl. operator, 2 position, spring offset. P to A and B to T in offset position.</td> <td></td> </tr> <tr> <td>C</td> <td>Dbl. operator, 3 position, spring centered.</td> <td></td> </tr> <tr> <td>H†</td> <td>Sgl. operator, 2 position, spring offset. P to B and A to T in offset position.</td> <td></td> </tr> </tbody> </table> <p>† Available with 1, 2, 4 & 11 spools only.</p>	Code	Description	Symbol	B†	Sgl. operator, 2 position, spring offset. P to A and B to T in offset position.		C	Dbl. operator, 3 position, spring centered.		H†	Sgl. operator, 2 position, spring offset. P to B and A to T in offset position.	
Code	Symbol																																																							
1																																																								
2																																																								
4																																																								
8*																																																								
9**																																																								
11																																																								
Code	Description																																																							
2	Ext. Pilot / Ext. Drain																																																							
5#	Ext. Pilot / Int. Drain																																																							
Code	Description	Symbol																																																						
7	Pilot Choke – Meter Out																																																							
8	Stroke Adj. 'B' End																																																							
9	Stroke Adj. 'A' End																																																							
60	Pilot Choke – Meter In																																																							
89	Stroke Adj. 'A' & 'B' Ends																																																							
Code	Description	Symbol																																																						
B†	Sgl. operator, 2 position, spring offset. P to A and B to T in offset position.																																																							
C	Dbl. operator, 3 position, spring centered.																																																							
H†	Sgl. operator, 2 position, spring offset. P to B and A to T in offset position.																																																							
<p>Valve schematic symbols are per NFPA/ANSI standards, providing flow P to A when energizing operator X. Note operators reverse sides on #8 and #9 spools. See installation information for details.</p>								<p>□ This condition varies with spool code.</p>																																																

Valve Weight: 34.3 kg (75.7 lbs.)
Standard Bolt Kit: BK229
Metric Bolt Kit: BKM229

Bold: Designates Tier I products and options.

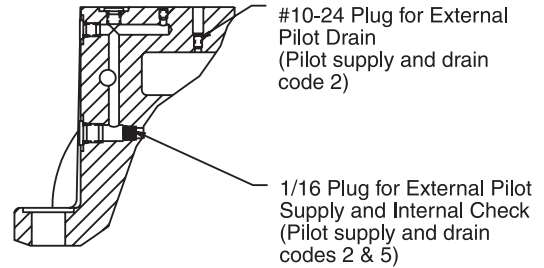
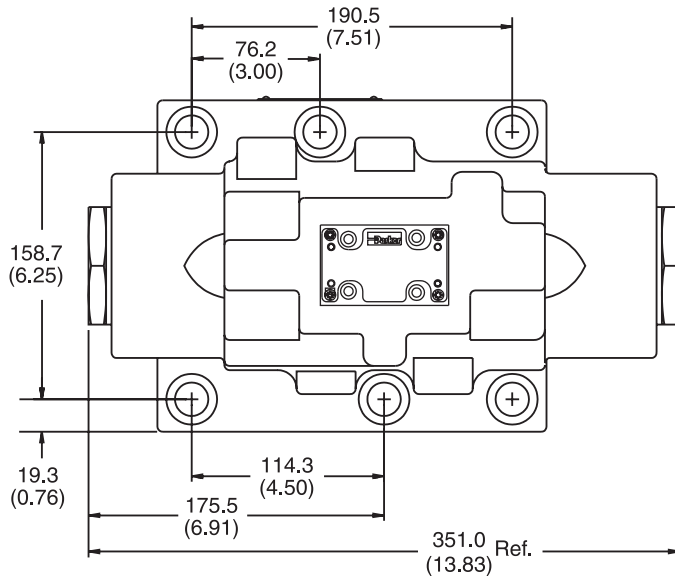
Non-Bold: Designates Tier II products and options. These products will have longer lead times.



Inch equivalents for millimeter dimensions are shown in (**)

A

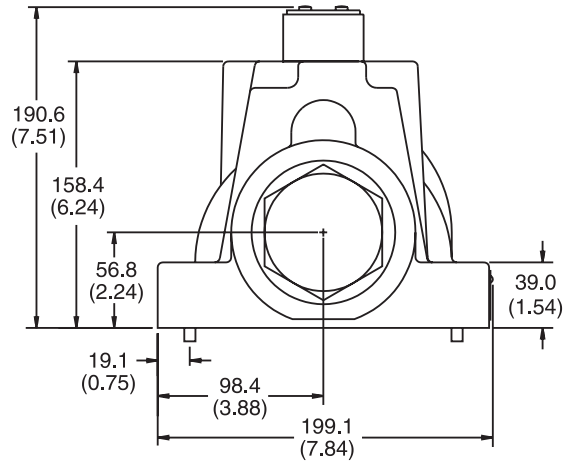
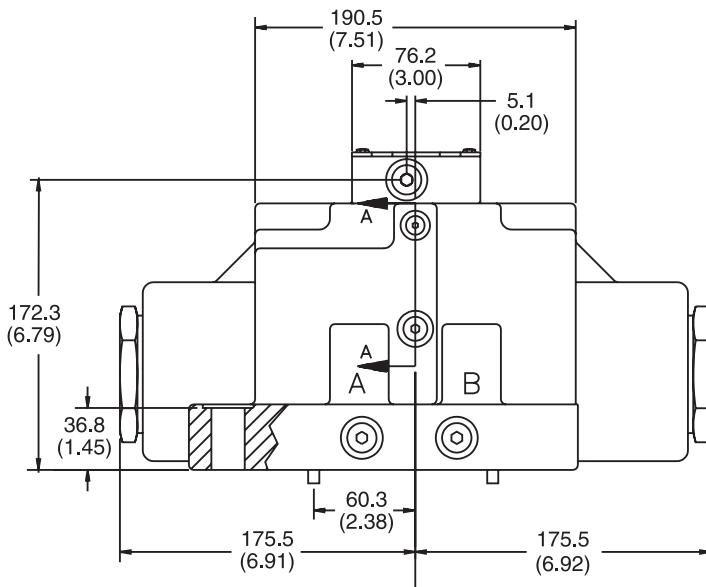
Standard Pilot Operated



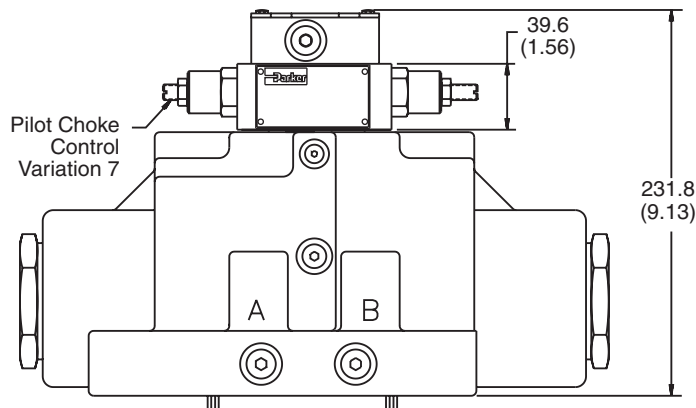
Section A-A



Note: 36.83mm (1.45") from bottom of bolt hole counterbore to bottom of valve.



Pilot Operated with Pilot Choke Control



Note: 36.83mm (1.45") from bottom of bolt hole counterbore to bottom of valve.