

17R Series

UHP Stainless Steel Diaphragm Valve
High Pressure, High Flow

aerospace
climate control
electromechanical
filtration
fluid & gas handling
hydraulics
pneumatics
process control
sealing & shielding

Value Proposition:

The 17R Series valve provides a high flow and positive shut off for high purity fluid systems.

This 1/2" spring type diaphragm valve offers superior leak integrity for manually and pneumatically actuated versions with pressure ranges from vacuum to 3,000 psig.



Contact Information:

Parker Hannifin Corporation
Veriflo Division
250 Canal Blvd
Richmond, California 94804

phone 510 235 9590
fax 510 232 7396
veriflo.sales@parker.com

www.parker.com/veriflo
Mobile App: m.parker.com/veriflo

Product Features:

- Standard surface finish of 10 micro inch Ra
- Serialized and heat code traceable
- Fully functional from vacuum to 3000 psig for both Manual and Pneumatic styles
- 100% Helium leak tested
- Multi-diaphragm for superior cycle life
- Vericlean™, Veriflo's low sulfur high purity 316L Stainless Steel enhances electropolishing, welding, and corrosion resistance

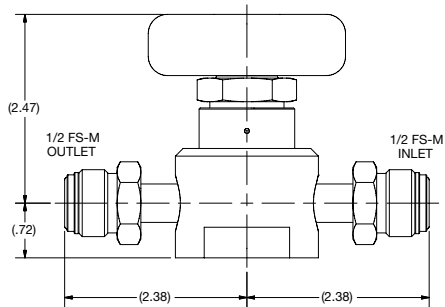
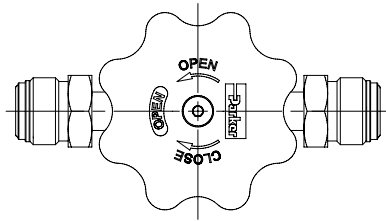


ENGINEERING YOUR SUCCESS.

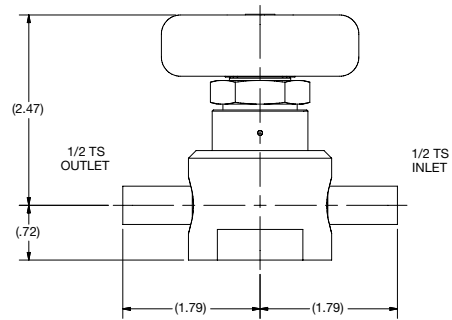
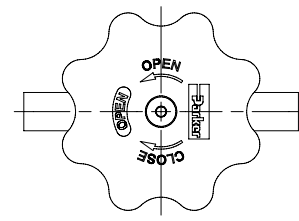
17R Series

Dimensional Drawing

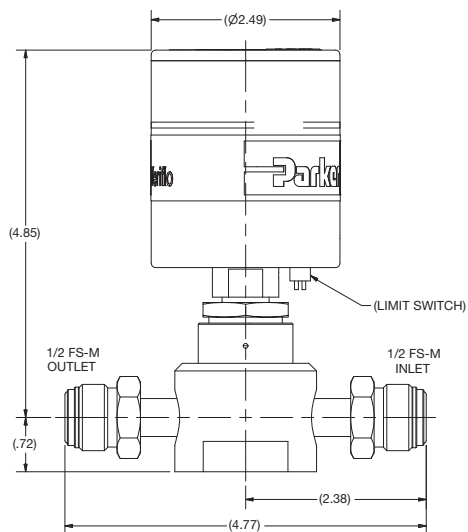
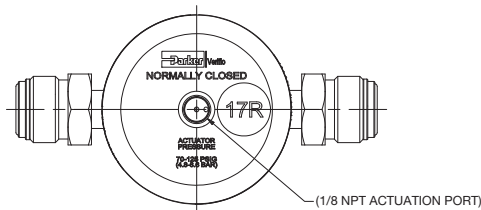
17RI SERIES VACUSEAL™



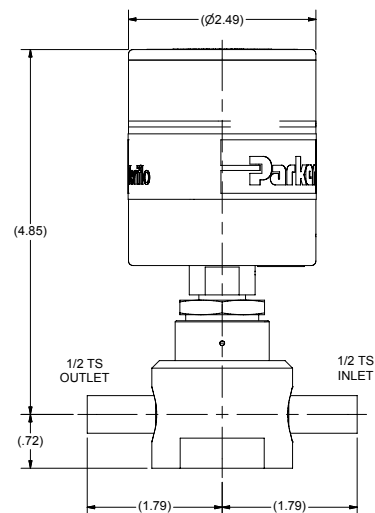
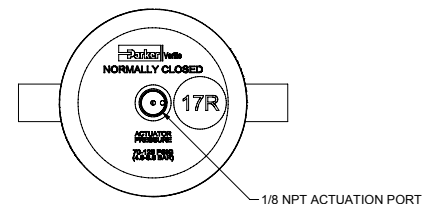
17RI SERIES TUBE STUB



17R AOPNC SERIES VACUSEAL™



17R AOPNC SERIES TUBE STUB








17R Series

Ordering Information


Build a 17R Series valve by replacing the numbered symbols with an option from the corresponding tables below.


Contact factory for most up to date lead time information.

Blue = Configurations that have selections in blue may have an extended lead time and a minimum order quantity.


Sample:  **17R**  **AOPNC**  **S**  **FS8MM** 

Finished Order: **17RAOPNC SFS8MM**

 **Basic Series**
17R = 17R

 **Type**
AOPNC = Air Operated,
Normally Closed Air
Connection is 1/8" NPT
I = Indicating Hand
wheel

 **Body Material**
S = 316L Stainless Steel

 **Inlet/Outlet Connection**
FS8MM = 1/2" Face Seal
FS8FF = 1/2" Face Seal
TS6 = 3/8" Tube Stub
End-to-End length: 2.74"
TS8 = 1/2" Tube Stub
FS12MM = 3/4" Face Seal
End-to-End length: 5.79"
FS12FF = 3/4" Face Seal
End-to-End length: 5.79"

 **Optional Features**
This section can have multiple options

LSC = Limit Switch Closed *Available with AOPNC option only*

LSO = Limit Switch Open *Available with AOPNC option only*

PI = Polyimide Seat

3.25 = 1/2" Fixed Male Face Seal *Inlet/Outlet*

Additional configurations available upon request

17R Series

Specifications

| Materials of Construction | |
|--------------------------------|---|
| Wetted | |
| Body | VeriClean™ 316L Stainless Steel (Electropolished) |
| Diaphragm | Elgiloy® or equivalent |
| Seat Options | PCTFE (std) or Polyimide |
| Lower Stem | VeriClean™ 316L Stainless Steel (Passivated) |
| Spring | 316 Stainless Steel (Electropolished) |
| Non-wetted | |
| Pneumatic | |
| Actuator Housing | Aluminum |
| Piston | 303 Stainless Steel |
| Bonnet | 17-4 Stainless Steel |
| Support Diaphragm | Sliver plated Beryllium Copper/ Elgiloy® or equivalent |
| Manual | |
| Hand Wheel | Aluminum |
| Bonnet | 17-4 Stainless Steel |
| Upper Stem | Aluminum Silicon Bronze |
| Screw | 18-8 Stainless Steel |
| Support Diaphragm | Sliver plated Beryllium Copper/ Elgiloy® or equivalent |
| Sleeve | Nylon |
| Limit Switch (Optional) | |
| Type | Single Pole, Single Throw (SPST) momentary action, non-adjustable |
| | 26 AWG wire, 7", w/o connector |
| Rating | |
| AOPNCLSC | 1/4 amp at 115 vac (normally closed) |
| AOPNCLSO | 1/2 amp at 115 vac (normally open) |

| Functional Performance | |
|--------------------------------|---|
| Flow Capacity | |
| Manual | C _v 0.8 |
| Pneumatic | C _v 0.75 |
| Leak Rate | |
| Design Internal | < 4 X 10 ⁻⁹ scc/sec He Inboard Test Method |
| Design External | < 1 X 10 ⁻⁹ scc/sec He Inboard Test Method |
| Production Leak Test | Outboard sniffer probe at 2000-2500 psig, 20-25% Helium |
| Surface Finish | 10 micro inch Ra |
| Internal Volume | 11.77 cc |
| Approx. Weight | |
| Manual | 1.85 lbs. (0.84 kgs) |
| Pneumatic | 3.35 lbs. (1.52 kgs) |
| Operating Conditions | |
| Operating Pressure | |
| Manual, Pneumatic | Vacuum to 3,000 psig (206.8 barg) |
| Actuator | 70 psig (4.8 barg) minimum to 125 psig (8.6 barg) maximum |
| Max Differential Back Pressure | 200 psid (13.8 bard) |
| Temperature | |
| Manual | -40°F to 150°F (-40°C to 65°C) |
| Pneumatic | +15°F to 150°F (-9°C to 65°C) |

For additional information on materials of construction, functional performance and operating conditions, please contact factory.

Elgiloy® is a registered trademark of Elgiloy Company
Vericlean™ is a trademark of Parker Hannifin Corporation

OFFER OF SALE:

The items described in this document are hereby offered for sale by Parker-Hannifin Corporation, its subsidiaries or its authorized distributors. This offer and its acceptance are governed by the provisions stated in the detailed "Offer of Sale" elsewhere in this document or available at www.parker.com/veriflo

WARNING USER RESPONSIBILITY

FAILURE OR IMPROPER SELECTION OR IMPROPER USE OF THE PRODUCTS DESCRIBED HEREIN OR RELATED ITEMS CAN CAUSE DEATH, PERSONAL INJURY AND PROPERTY DAMAGE. THIS DOCUMENT IS FOR REFERENCE ONLY. PLEASE CONSULT FACTORY FOR LATEST PRODUCT DRAWINGS AND SPECIFICATIONS

This document and other information from Parker-Hannifin Corporation, its subsidiaries and authorized distributors provide product or system options for further investigation by users having technical expertise.

The user, through its own analysis and testing, is solely responsible for making the final selection of the system and components and assuring that all performance, endurance, maintenance, safety and warning requirements of the application are met. The user must analyze all aspects of the application, follow applicable industry standards, and follow the information concerning the product in the current product catalog and in any other materials provided from Parker or its subsidiaries or authorized distributors.

To the extent that Parker or its subsidiaries or authorized distributors provide component or system options based upon data or specifications provided by the user, the user is responsible for determining that such data and specifications are suitable and sufficient for all applications and reasonably foreseeable uses of the components or systems.

The products described herein, including without limitation, product features, specifications, designs, availability and pricing are subject to change by Parker Hannifin Corp and its subsidiaries at any time without notice.

Proposition 65 Warning: This product contains chemicals known to the state of California to cause cancer or birth defects or other reproductive harm.