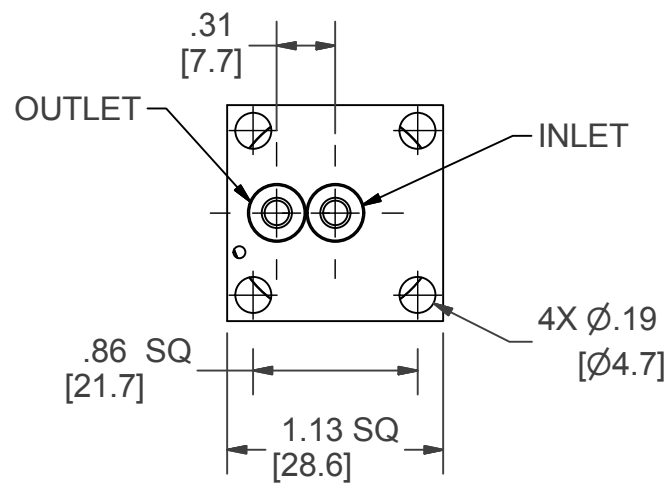
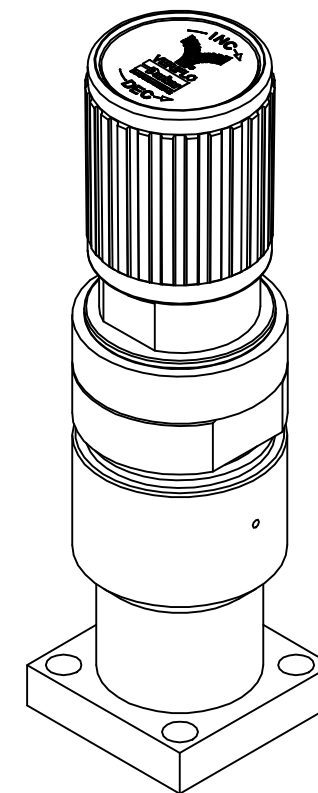
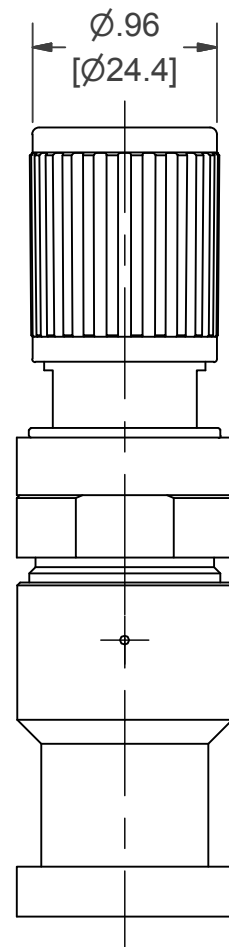
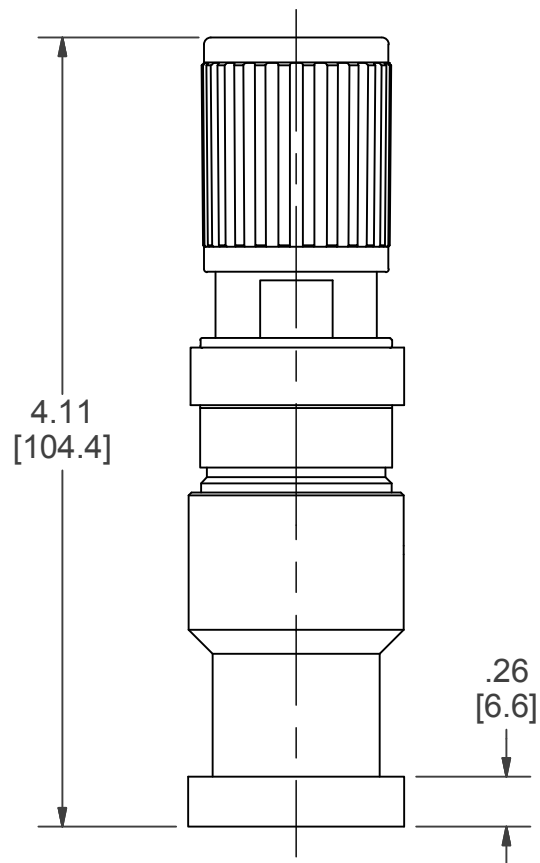
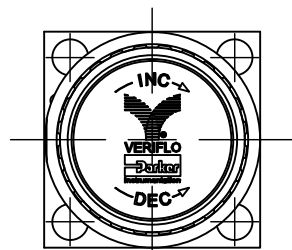


4

3

2

1

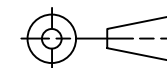


"C" Seal



DIMENSIONS ARE REF INCH [MM]
DRAWING IS SUBJECT TO CHANGE
WITHOUT NOTICE.

COPYRIGHT PARKER. YEAR OF
COPYRIGHT IS FIRST YEAR
INDICATED ON THIS DOCUMENT.
ALL RIGHTS RESERVED.



SALES DRAWING

DESCRIPTION

SMSQ2MICRO30102

DATE:

10/9/2017

DRAWING NOT TO SCALE

SHEET 1 OF 1

4

3

2

1

B

B

A

A