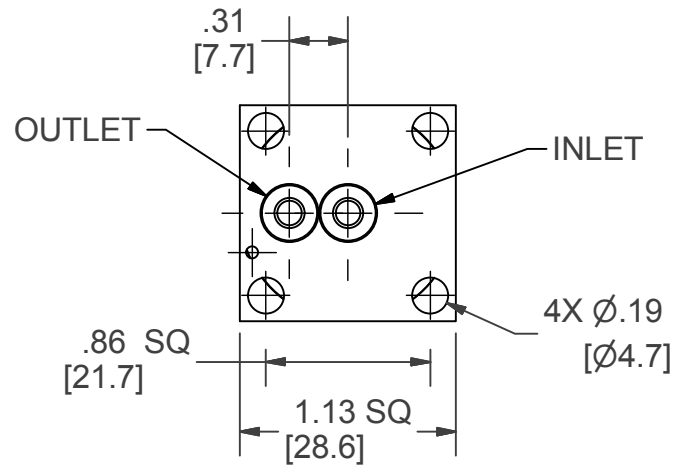
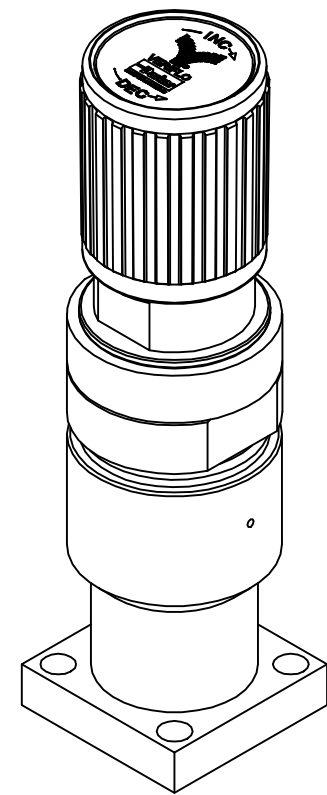
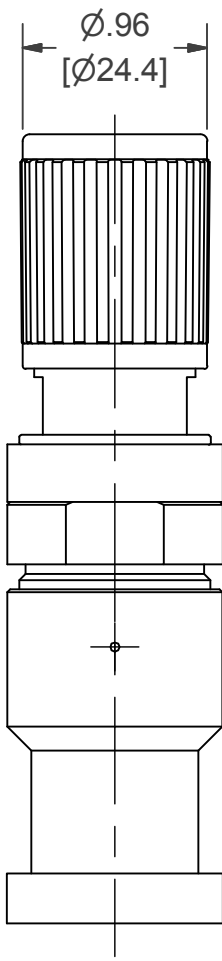
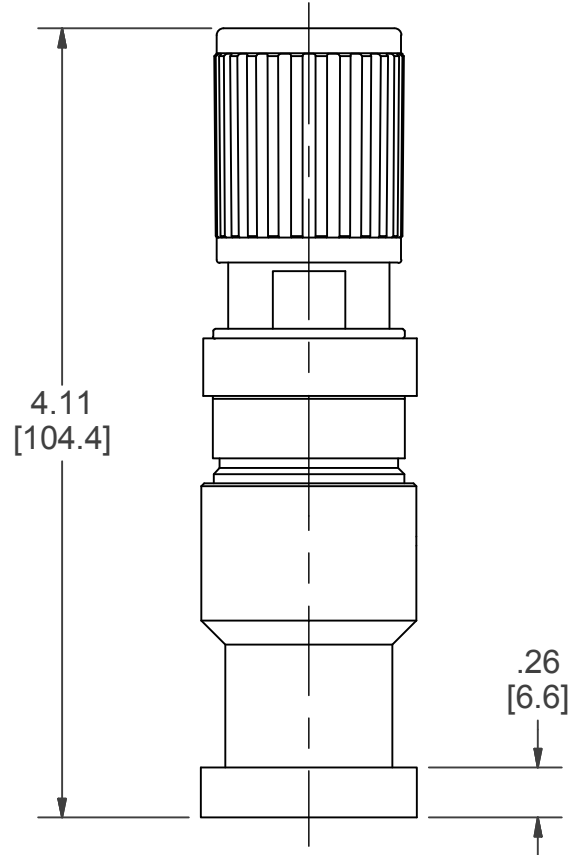
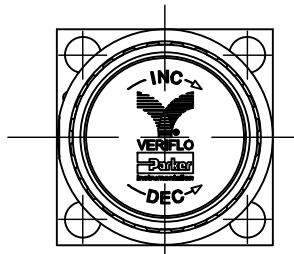


4

3

2

1

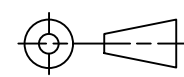


"C" Seal



DIMENSIONS ARE REF INCH [MM]
DRAWING IS SUBJECT TO CHANGE
WITHOUT NOTICE.

COPYRIGHT PARKER. YEAR OF
COPYRIGHT IS FIRST YEAR
INDICATED ON THIS DOCUMENT.
ALL RIGHTS RESERVED.



SALES DRAWING	
DESCRIPTION SMSQ2MICRO130E60102	
DATE: 10/9/2017	
DRAWING NOT TO SCALE	SHEET 1 OF 1

4

3

2

1

B

B

A

A