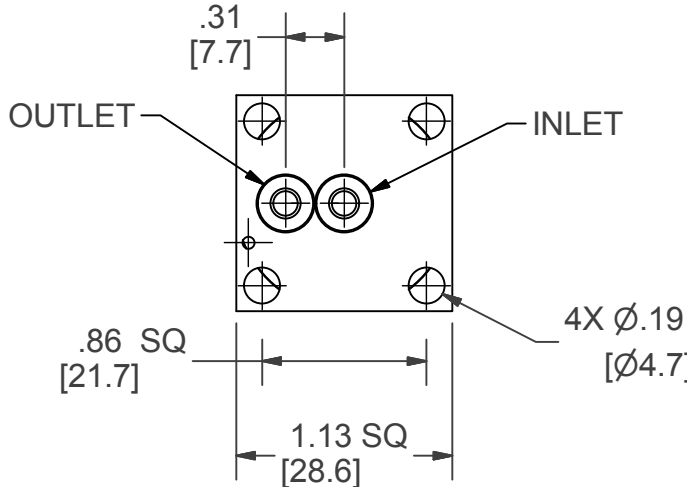
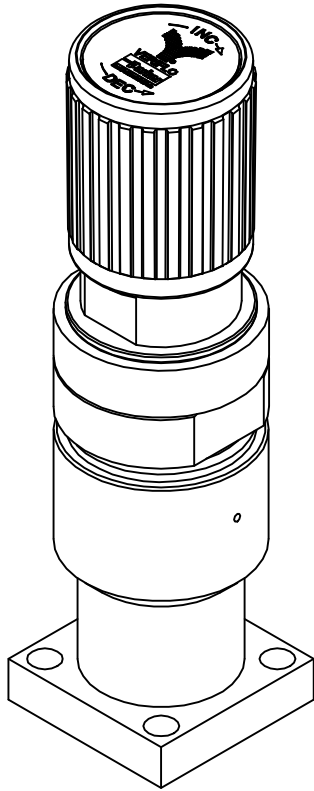
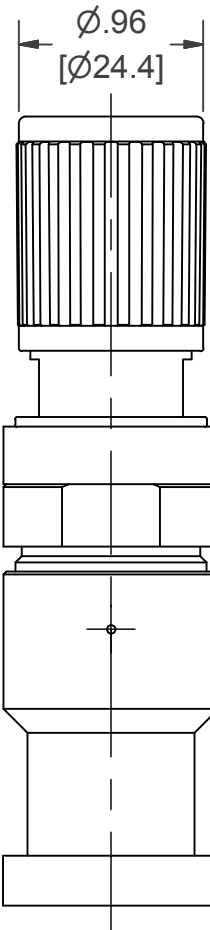
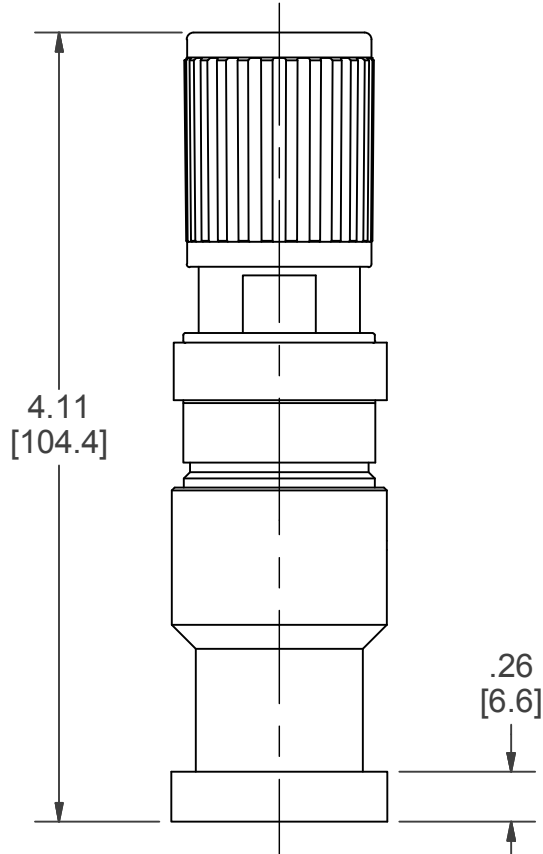
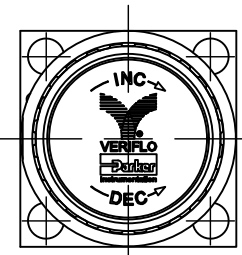


4

3

2

1



"C" Seal

# SALES DRAWING

DESCRIPTION  
SMSQ2MICRO130E30102

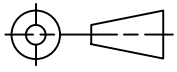
DATE:  
10/9/2017

DRAWING NOT TO SCALE SHEET 1 OF 1



DIMENSIONS ARE REF INCH [MM]  
DRAWING IS SUBJECT TO CHANGE  
WITHOUT NOTICE.

COPYRIGHT PARKER. YEAR OF  
COPYRIGHT IS FIRST YEAR  
INDICATED ON THIS DOCUMENT.  
ALL RIGHTS RESERVED.



4

3

2

1

B

B

A

A