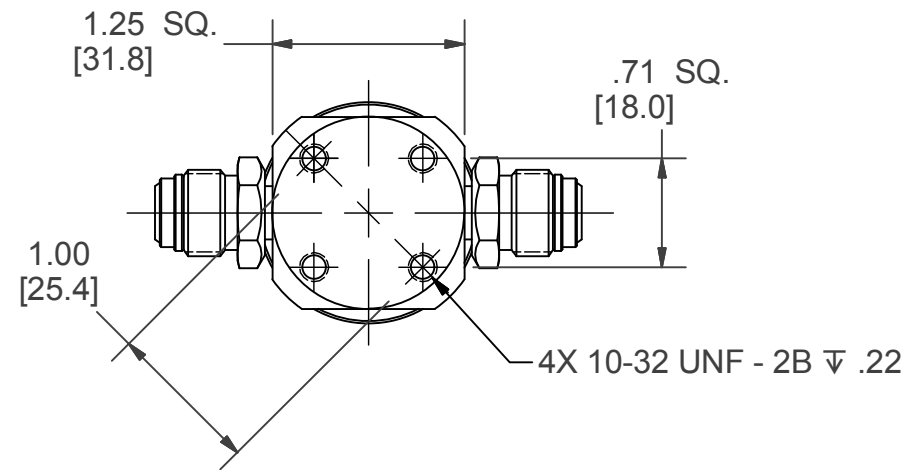
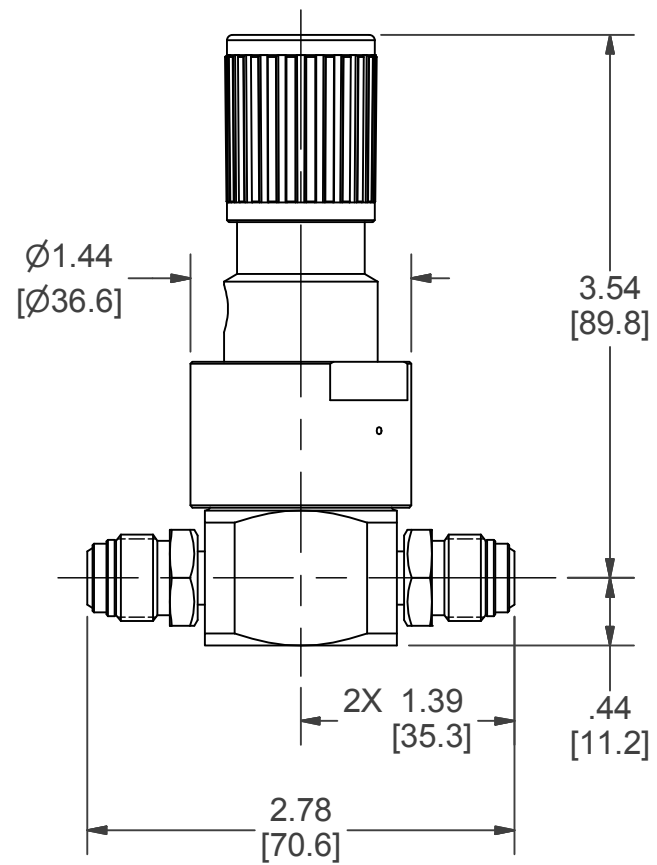
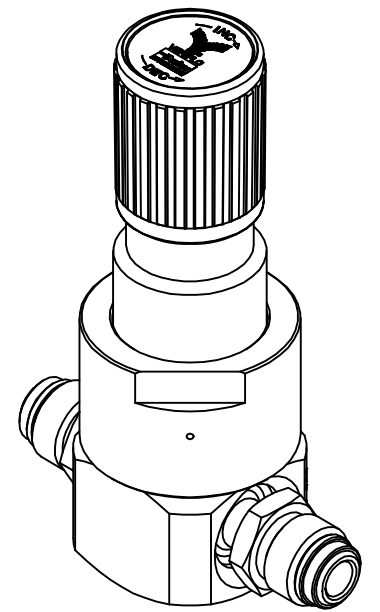
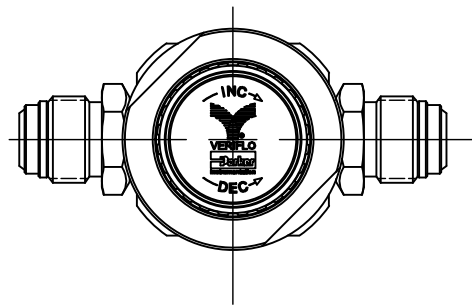


1/4 FS-M
OUTLET

1/4 FS-M
INLET



BOTTOM VIEW



SALES DRAWING

DESCRIPTION
SQ2MICRO302PFSMM

DATE: 1/15/2018

DRAWING NOT TO SCALE SHEET 1 OF 1



DIMENSIONS ARE REF INCH [MM]
DRAWING IS SUBJECT TO
CHANGE WITHOUT NOTICE.

COPYRIGHT PARKER. YEAR OF
COPYRIGHT IS FIRST YEAR
INDICATED ON THIS DOCUMENT.
ALL RIGHTS RESERVED.

