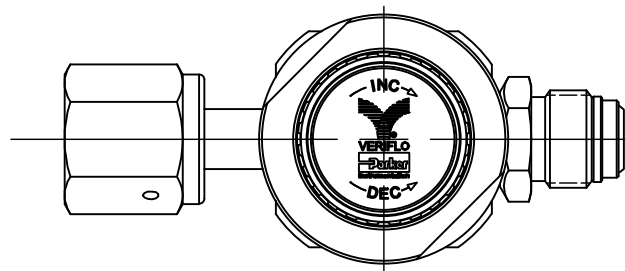
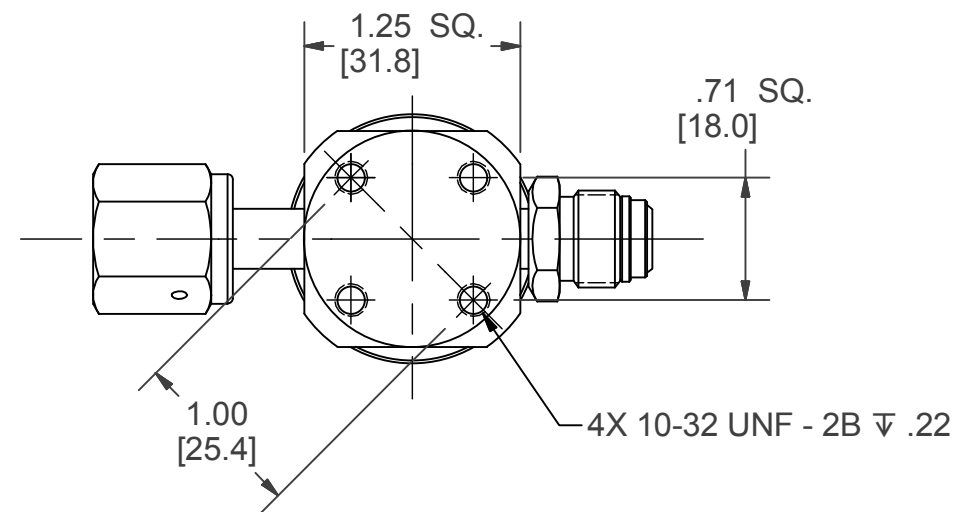
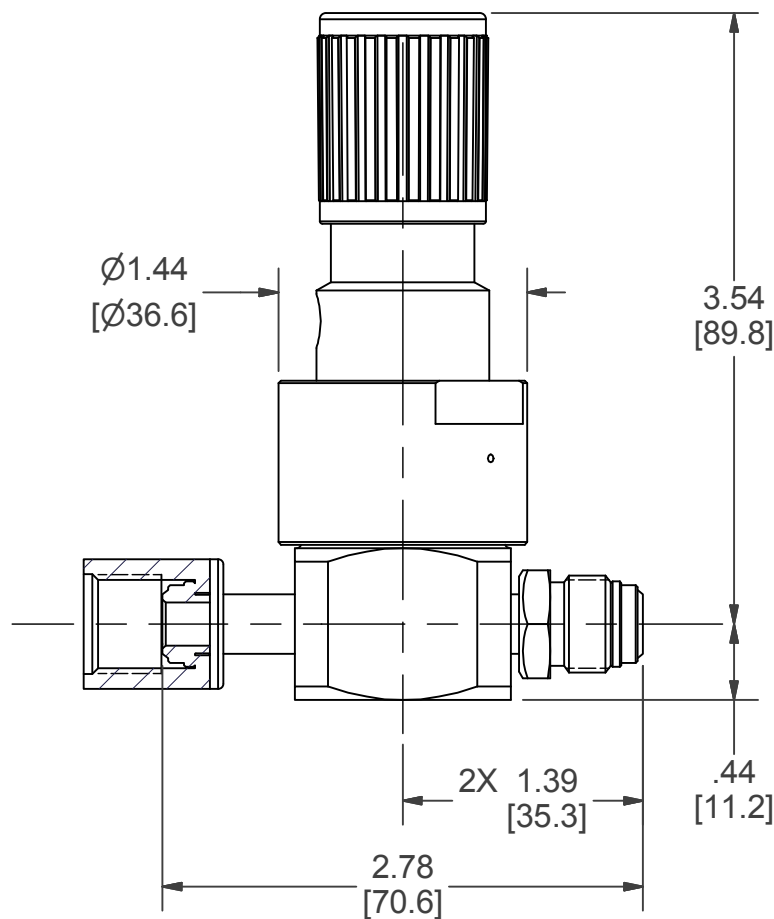
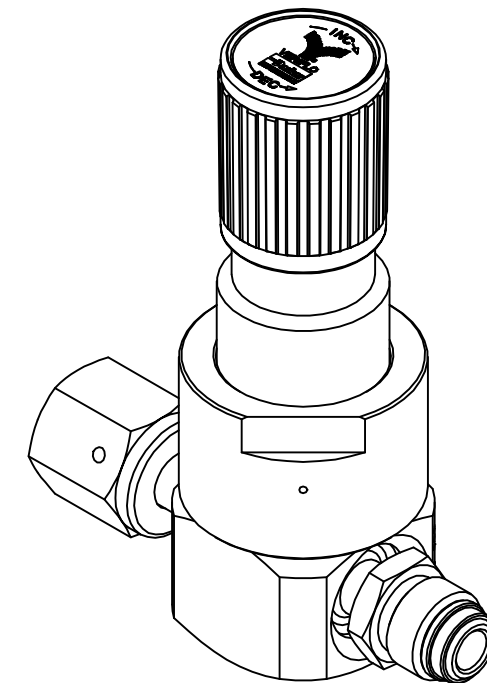


1/4 FS-F
OUTLET



1/4 FS-M
INLET



BOTTOM VIEW

SALES DRAWING

DESCRIPTION

SQ2MICRO302PF5MF

DATE:

1/15/2018

DRAWING NOT TO SCALE

SHEET 1 OF 1



DIMENSIONS ARE REF INCH [MM]

DRAWING IS SUBJECT TO
CHANGE WITHOUT NOTICE.

COPYRIGHT PARKER. YEAR OF
COPYRIGHT IS FIRST YEAR
INDICATED ON THIS DOCUMENT.
ALL RIGHTS RESERVED.

