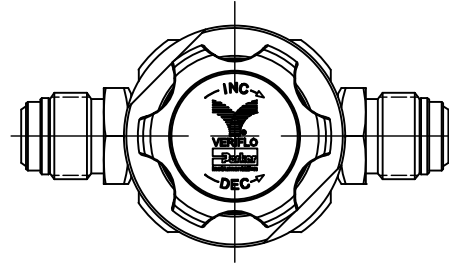
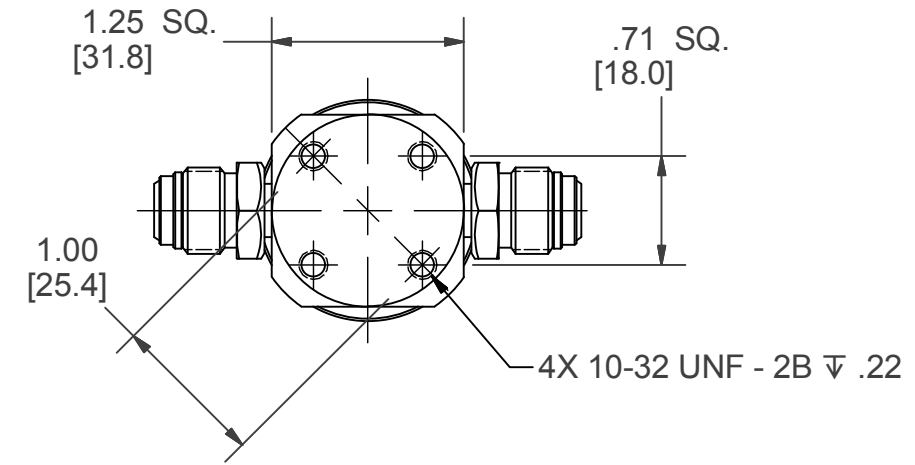
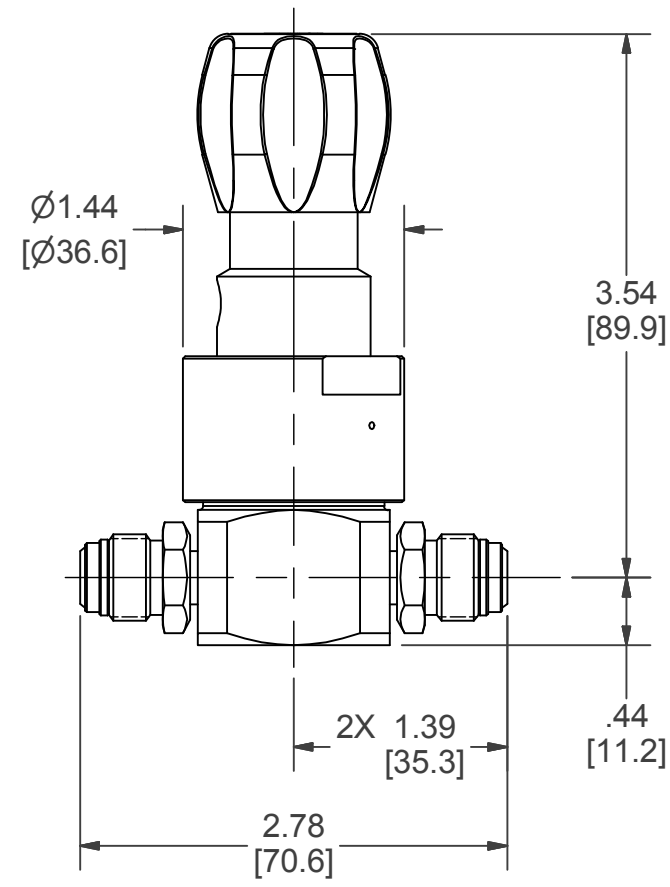
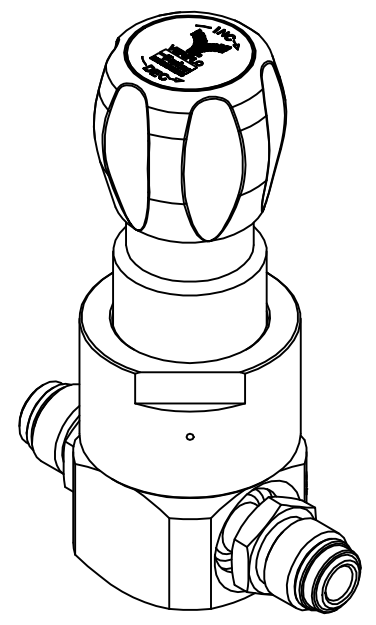




1/4 FS-M
OUTLET



1/4 FS-M
INLET



BOTTOM VIEW



SALES DRAWING

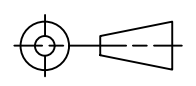
DESCRIPTION
SQ2MICRO130E602PFSMM

DATE: 1/15/2018



DIMENSIONS ARE REF INCH [MM]
DRAWING IS SUBJECT TO
CHANGE WITHOUT NOTICE.

COPYRIGHT PARKER. YEAR OF
COPYRIGHT IS FIRST YEAR
INDICATED ON THIS DOCUMENT.
ALL RIGHTS RESERVED.



DRAWING NOT TO SCALE SHEET 1 OF 1

