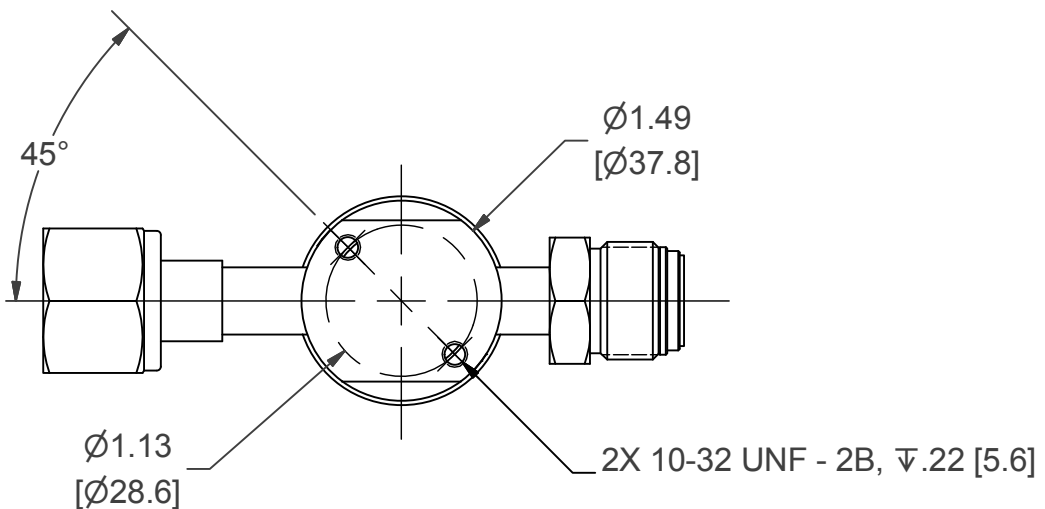
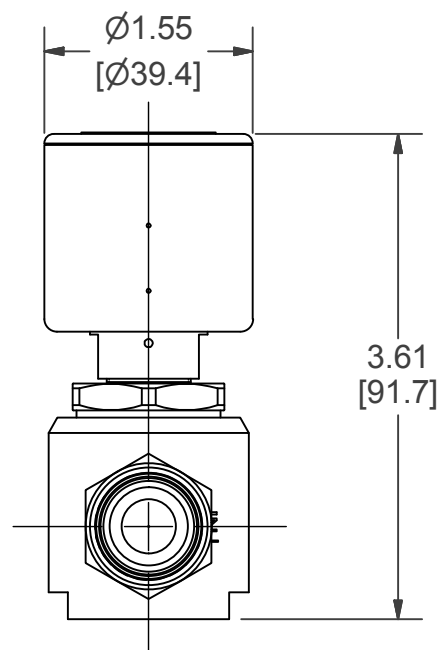
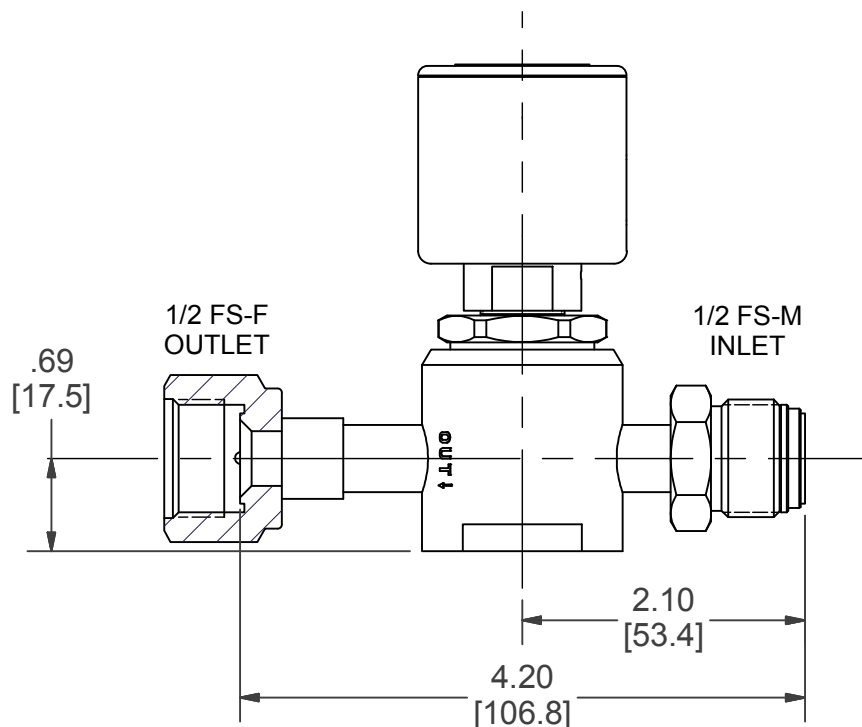
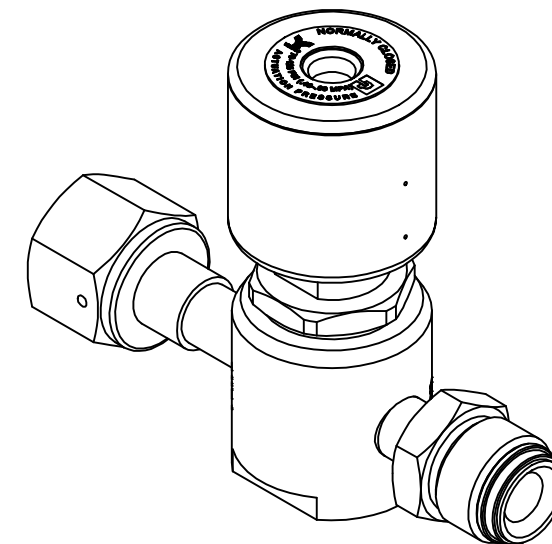
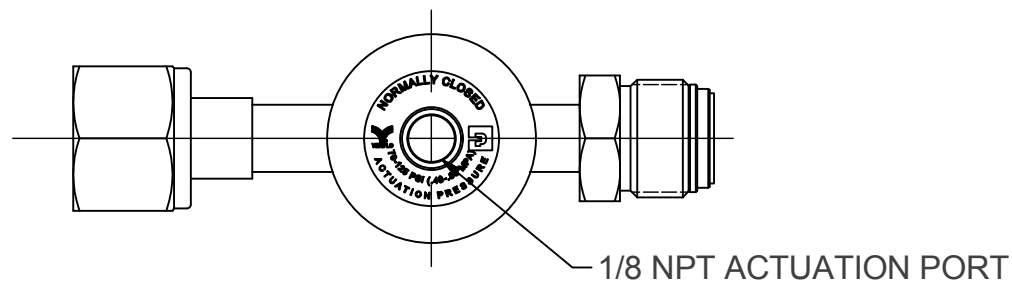


4

3

2

1



SALES DRAWING

DESCRIPTION
970AOPLPNC SFS8MF

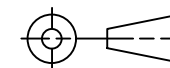
DATE:
9/25/2017

DRAWING NOT TO SCALE SHEET 1 OF 1



DIMENSIONS ARE REF INCH [MM]
DRAWING IS SUBJECT TO CHANGE
WITHOUT NOTICE.

COPYRIGHT PARKER. YEAR OF
COPYRIGHT IS FIRST YEAR
INDICATED ON THIS DOCUMENT.
ALL RIGHTS RESERVED.



4

3

2

1

B

B

A

A