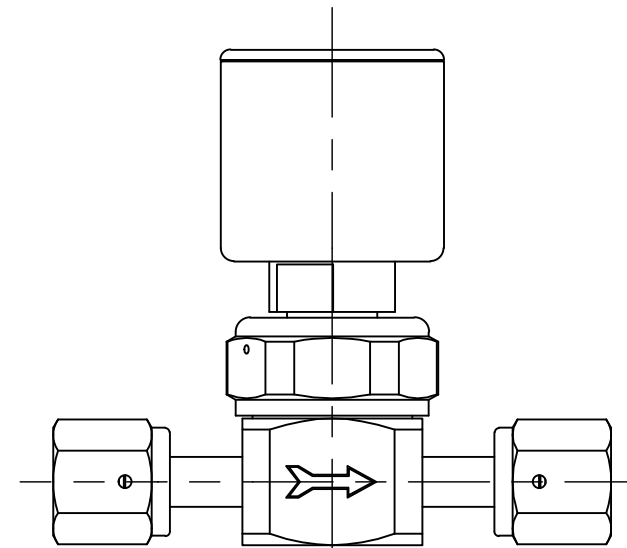
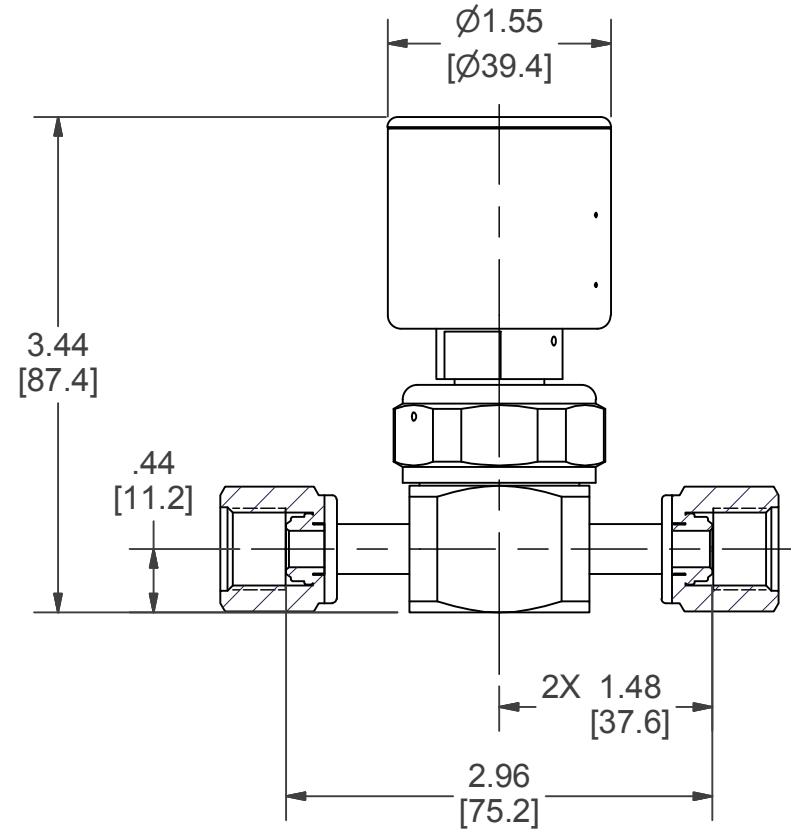


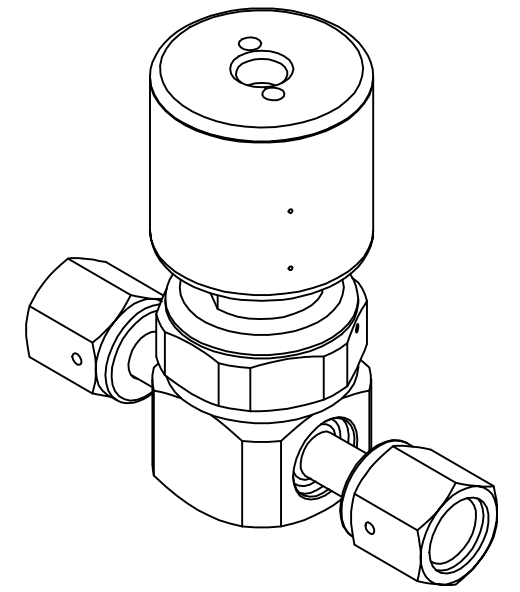
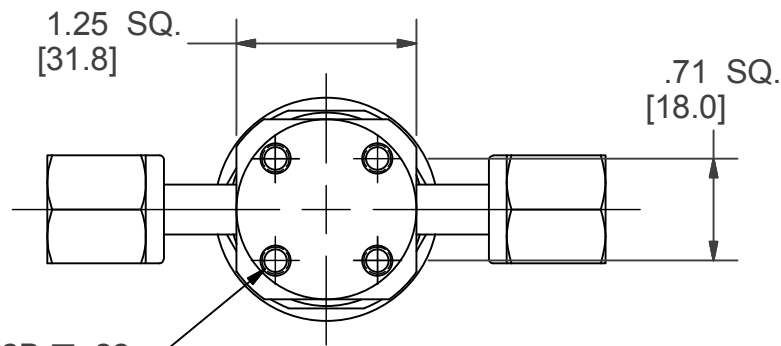
1/4 FSF
OUTLET

1/4 FSF
INLET

1/8 - 27 NPT



BACK VIEW



SALES DRAWING

DESCRIPTION

955AOPLPNCFSFF

DATE:

1/29/2018

DRAWING NOT TO SCALE

SHEET 1 OF 1



DIMENSIONS ARE REF INCH [MM]

DRAWING IS SUBJECT TO
CHANGE WITHOUT NOTICE.

COPYRIGHT PARKER. YEAR OF
COPYRIGHT IS FIRST YEAR
INDICATED ON THIS DOCUMENT.
ALL RIGHTS RESERVED.

