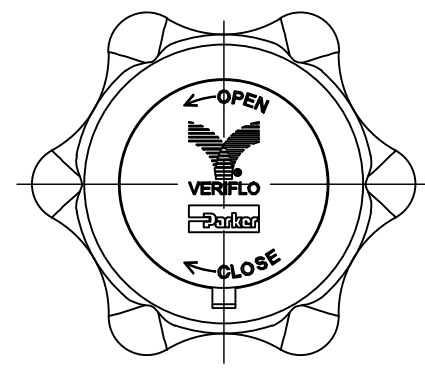
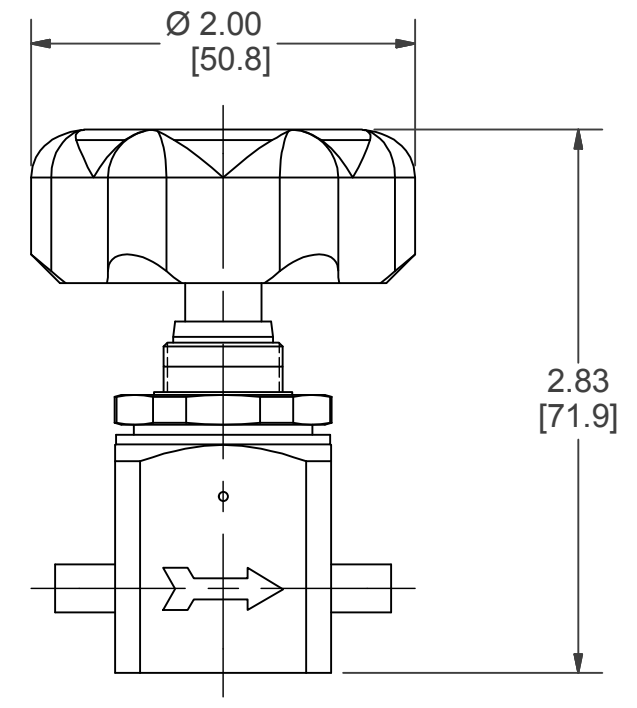
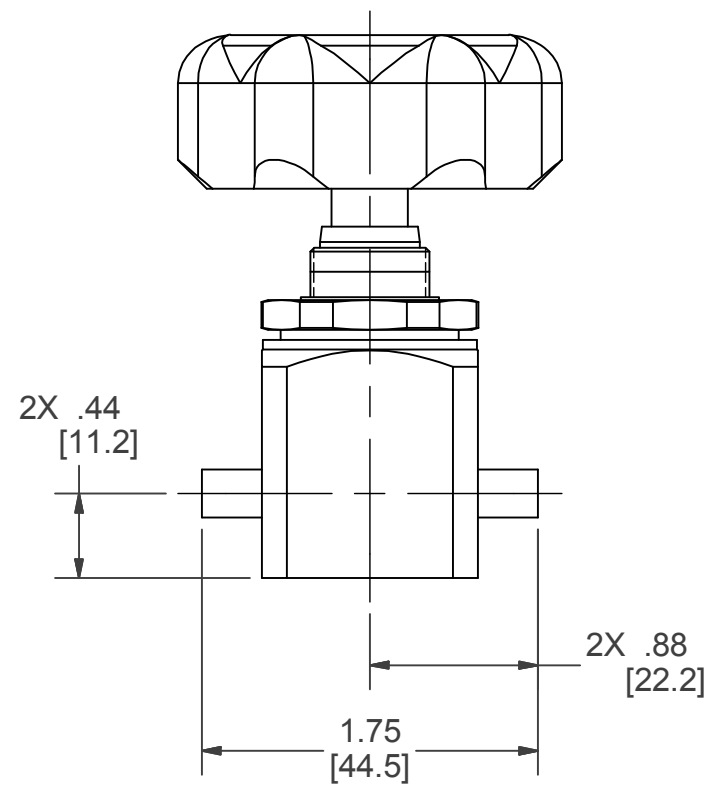


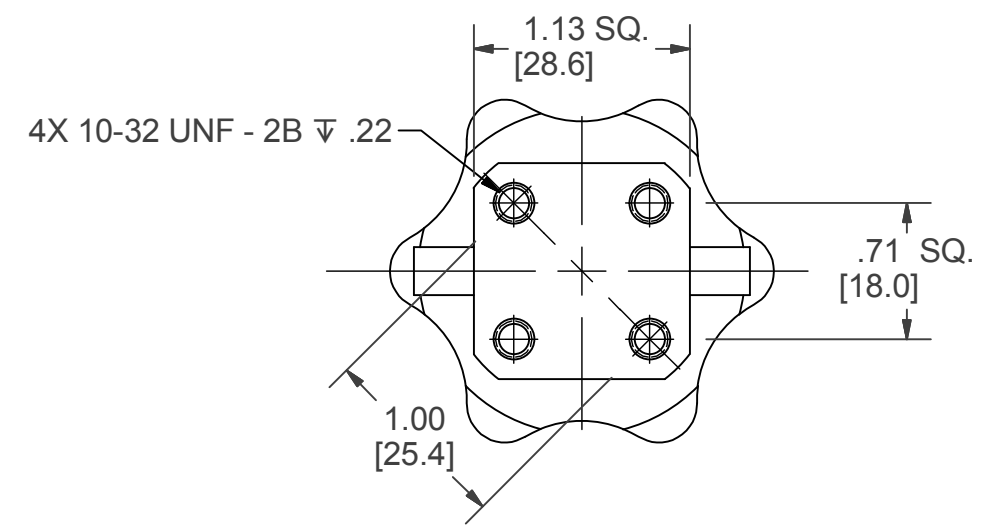
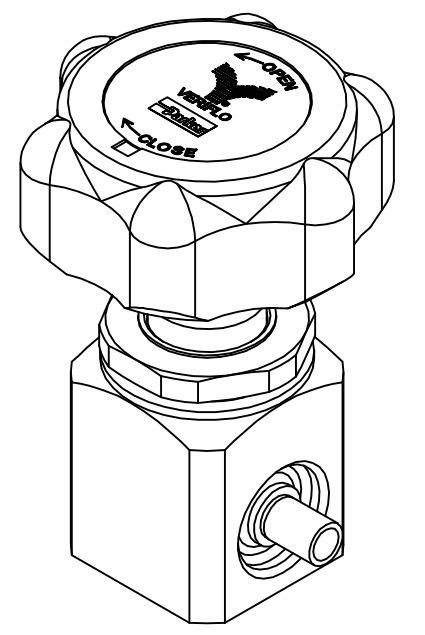
1/4 TS
OUTLET



1/4 TS
INLET

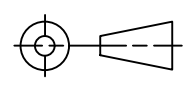


BACK VIEW



DIMENSIONS ARE REF INCH [MM]
DRAWING IS SUBJECT TO
CHANGE WITHOUT NOTICE.

COPYRIGHT PARKER. YEAR OF
COPYRIGHT IS FIRST YEAR
INDICATED ON THIS DOCUMENT.
ALL RIGHTS RESERVED.



| | |
|----------------------|--------------|
| SALES DRAWING | |
| DESCRIPTION | |
| 945SSTS | |
| DATE: | 1/15/2018 |
| DRAWING NOT TO SCALE | SHEET 1 OF 1 |