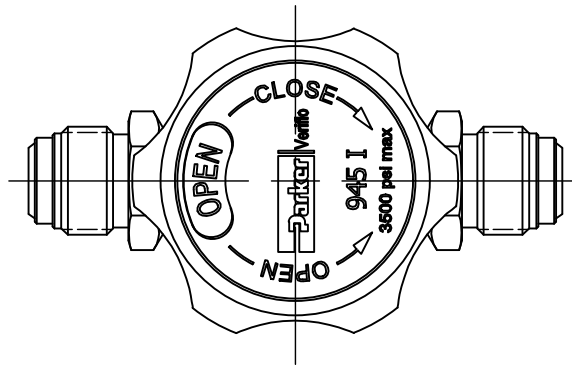
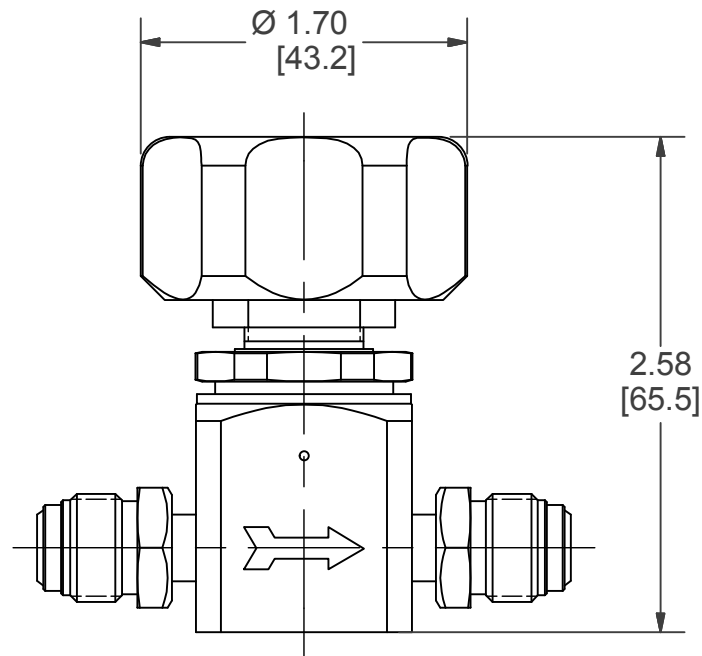
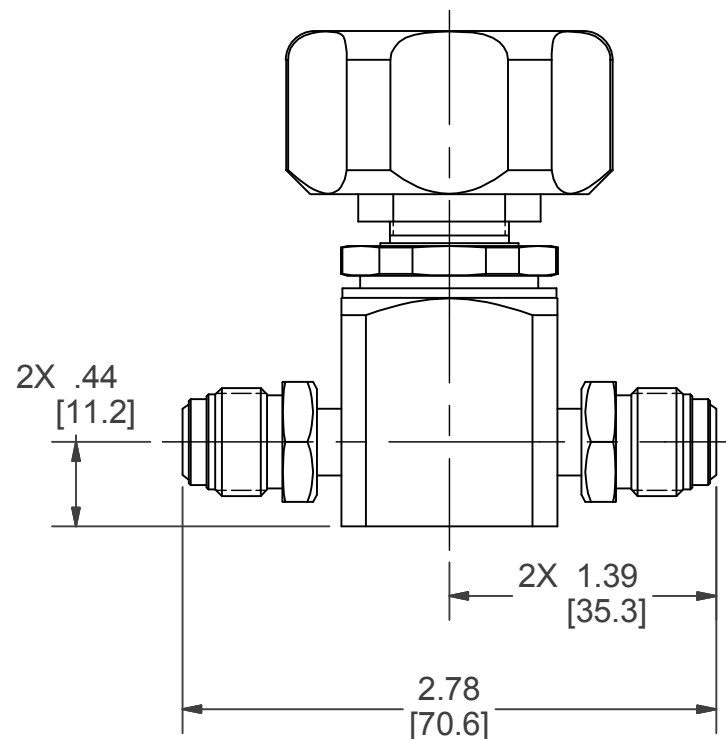
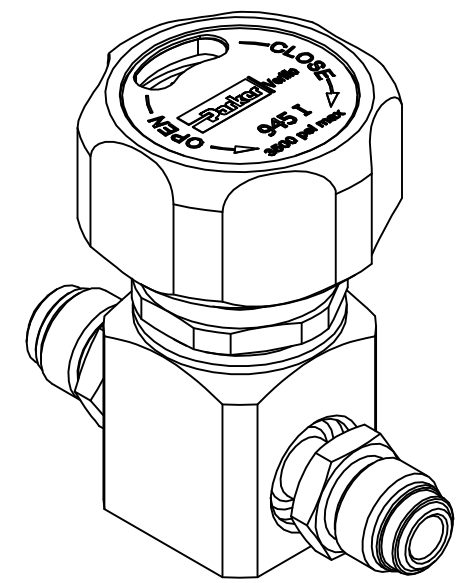


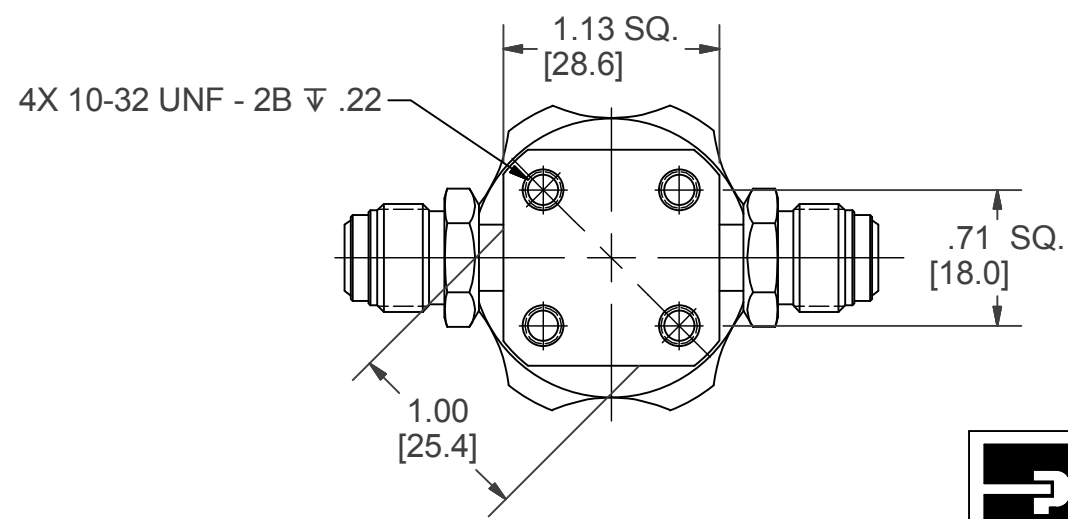
1/4 FS-M
OUTLET



1/4 FS-M
INLET



BACK VIEW

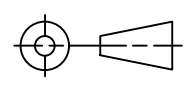


4X 10-32 UNF - 2B ∇ .22



DIMENSIONS ARE REF INCH [MM]
DRAWING IS SUBJECT TO
CHANGE WITHOUT NOTICE.

COPYRIGHT PARKER. YEAR OF
COPYRIGHT IS FIRST YEAR
INDICATED ON THIS DOCUMENT.
ALL RIGHTS RESERVED.



SALES DRAWING

DESCRIPTION
945ISFSMM

DATE: **1/15/2018**

DRAWING NOT TO SCALE SHEET 1 OF 1