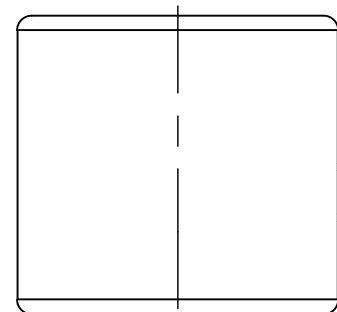
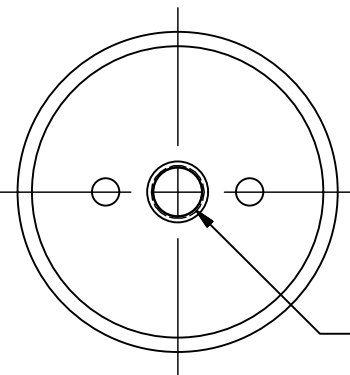


1/4 TS  
OUTLET

1/4 TS  
INLET

1/8 - 27 NPT



2X .44  
[11.2]

2X .88  
[22.2]

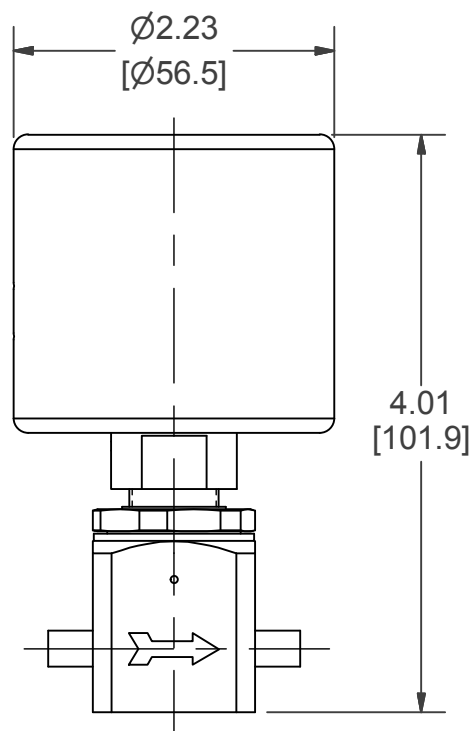
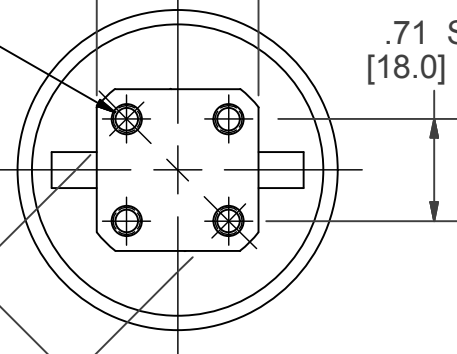
1.75  
[44.5]

1.00  
[25.4]

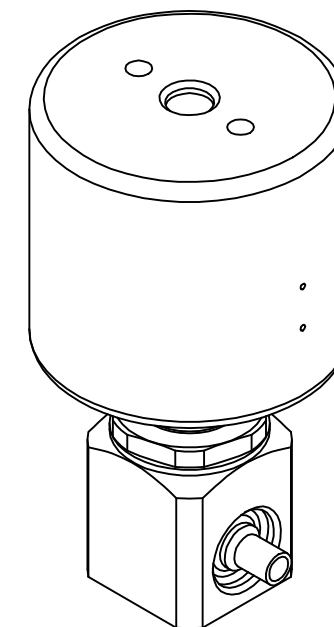
4X 10-32 UNF - 2B  $\nabla$  .22

1.13 SQ.  
[28.6]

.71 SQ.  
[18.0]



BACK VIEW



# SALES DRAWING

DESCRIPTION

945AOPHPNCSTS

DATE:

1/15/2018

DRAWING NOT TO SCALE

SHEET 1 OF 1



DIMENSIONS ARE REF INCH [MM]

DRAWING IS SUBJECT TO  
CHANGE WITHOUT NOTICE.

COPYRIGHT PARKER. YEAR OF  
COPYRIGHT IS FIRST YEAR  
INDICATED ON THIS DOCUMENT.  
ALL RIGHTS RESERVED.

