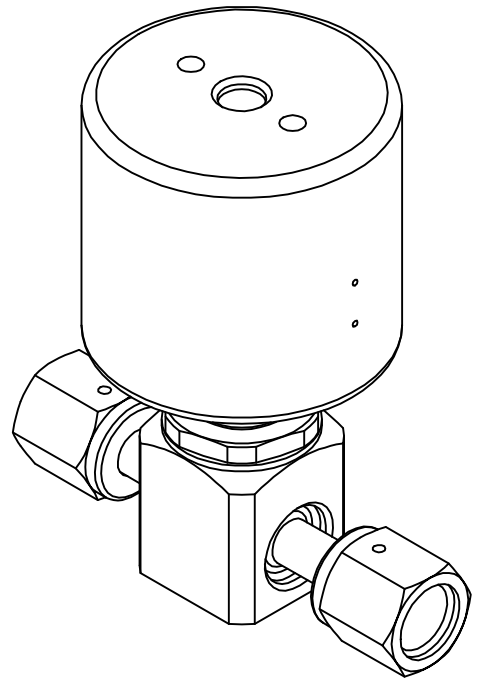
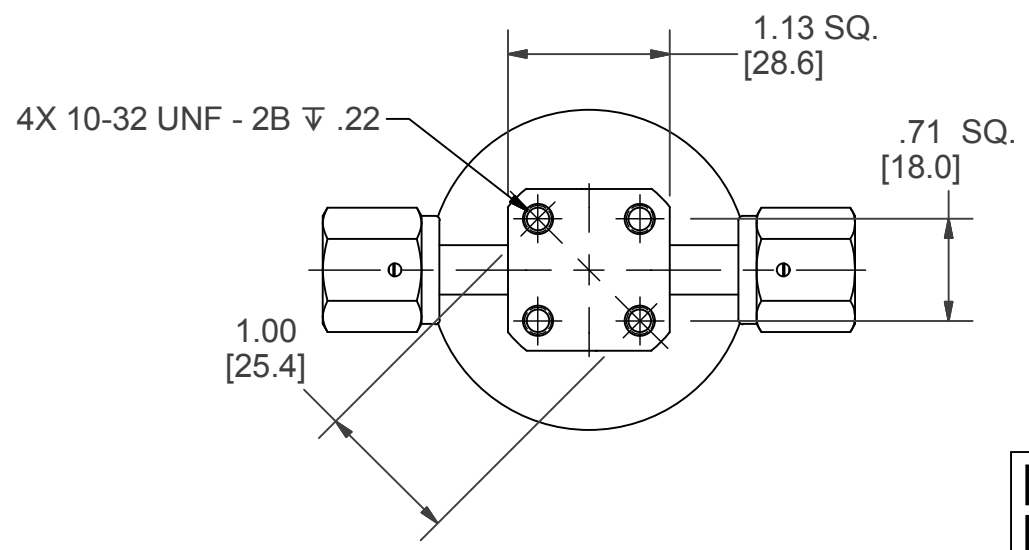


BACK VIEW



# SALES DRAWING

DESCRIPTION  
945AOPHPNCSFSFF

DATE: 1/15/2018

DRAWING NOT TO SCALE SHEET 1 OF 1



DIMENSIONS ARE REF INCH [MM]  
DRAWING IS SUBJECT TO CHANGE WITHOUT NOTICE.

COPYRIGHT PARKER. YEAR OF COPYRIGHT IS FIRST YEAR INDICATED ON THIS DOCUMENT. ALL RIGHTS RESERVED.

