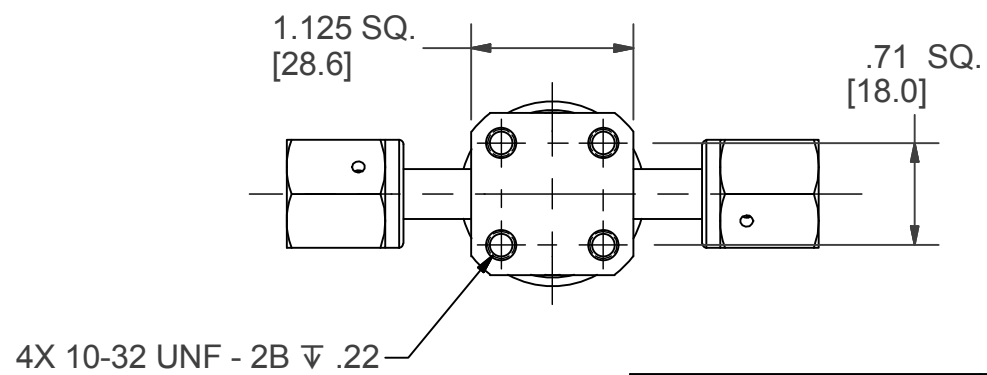
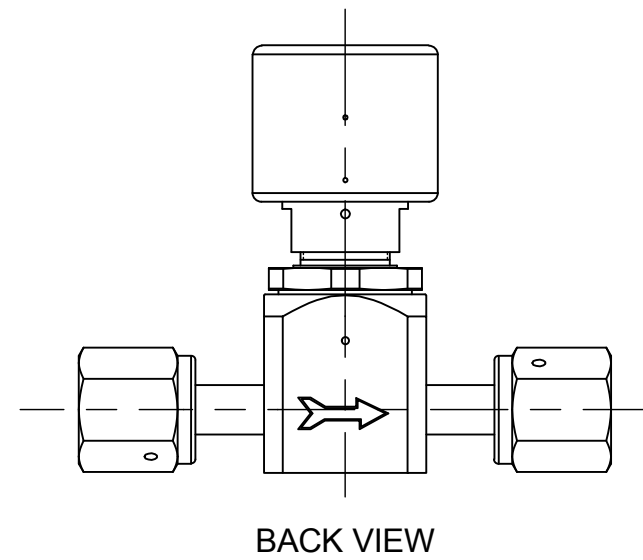
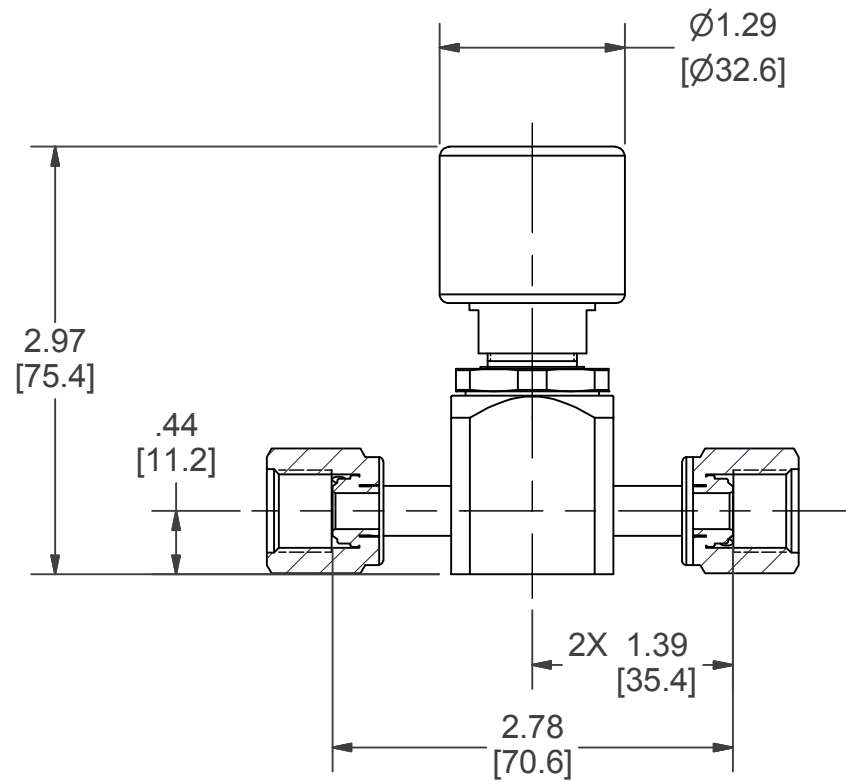
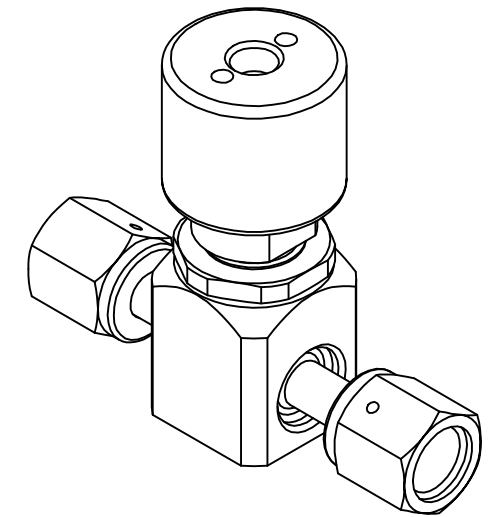
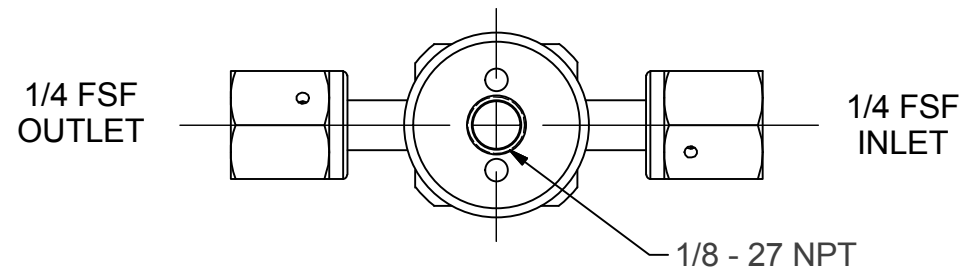


1



2

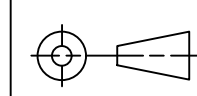


SALES DRAWING	
DESCRIPTION 930AOPLPNOSFSFF	
DATE:	1/29/2018
DRAWING NOT TO SCALE	SHEET 1 OF 1



DIMENSIONS ARE REF INCH [MM]
DRAWING IS SUBJECT TO
CHANGE WITHOUT NOTICE.

COPYRIGHT PARKER. YEAR OF
COPYRIGHT IS FIRST YEAR
INDICATED ON THIS DOCUMENT.
ALL RIGHTS RESERVED.



1



2

A



B

A



B