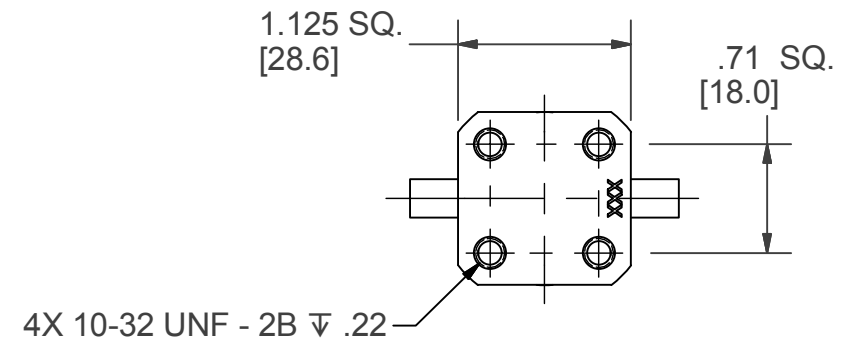
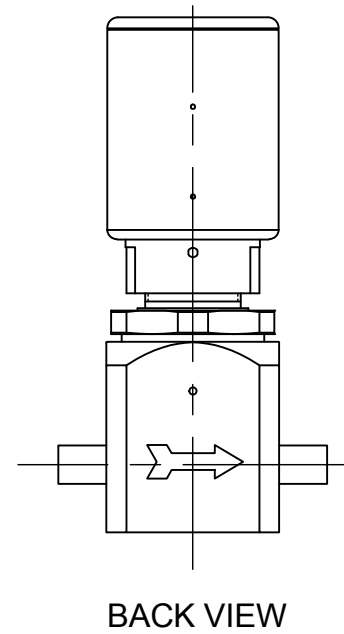
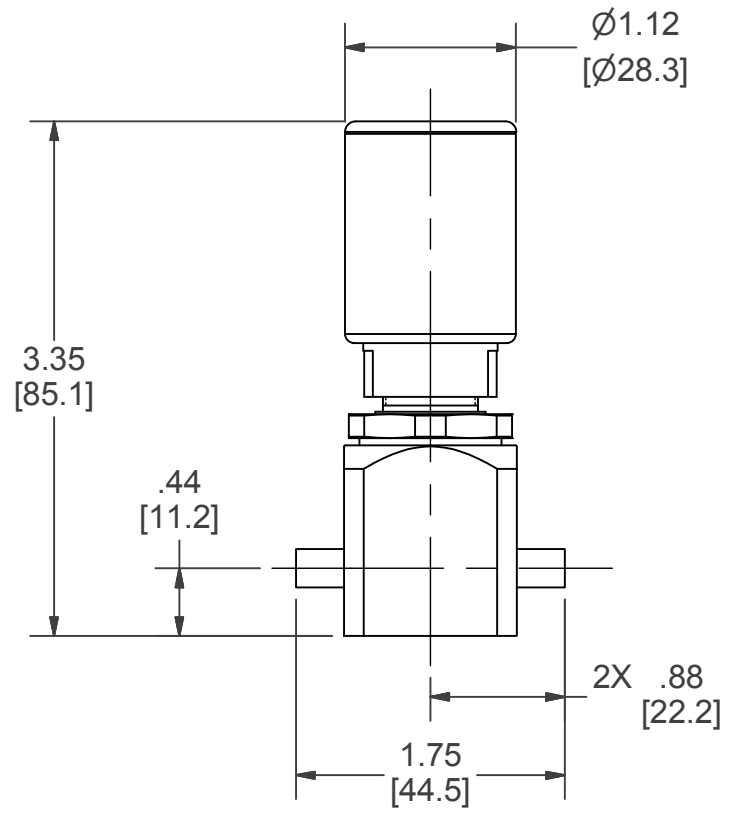
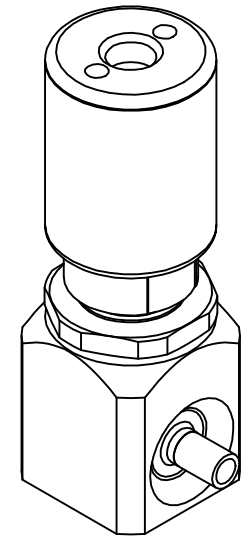
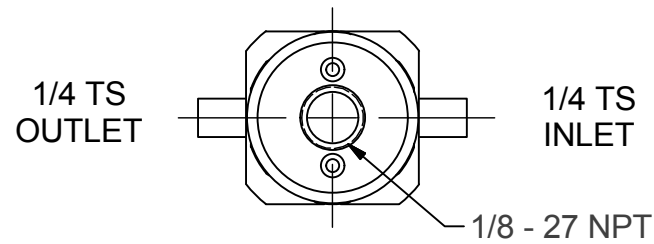


1

2



SALES DRAWING

DESCRIPTION
930AOPLPNCSTS

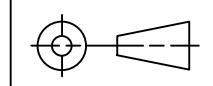
DATE: 1/29/2018

DRAWING NOT TO SCALE SHEET 1 OF 1



DIMENSIONS ARE REF INCH [MM]
DRAWING IS SUBJECT TO CHANGE WITHOUT NOTICE.

COPYRIGHT PARKER. YEAR OF COPYRIGHT IS FIRST YEAR INDICATED ON THIS DOCUMENT. ALL RIGHTS RESERVED.



1

2