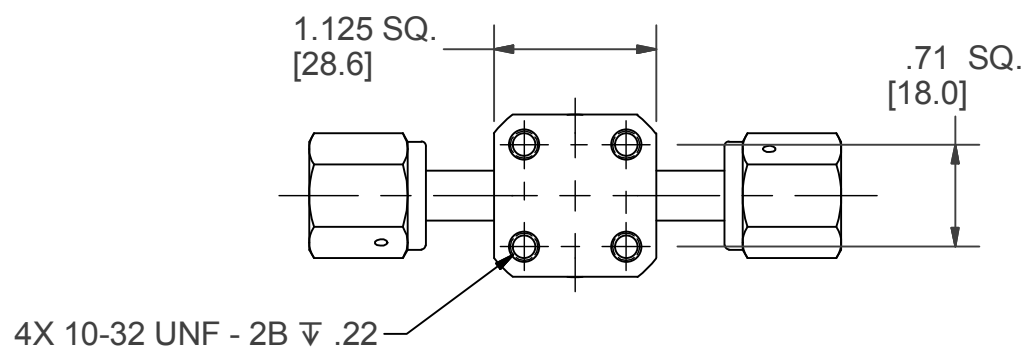
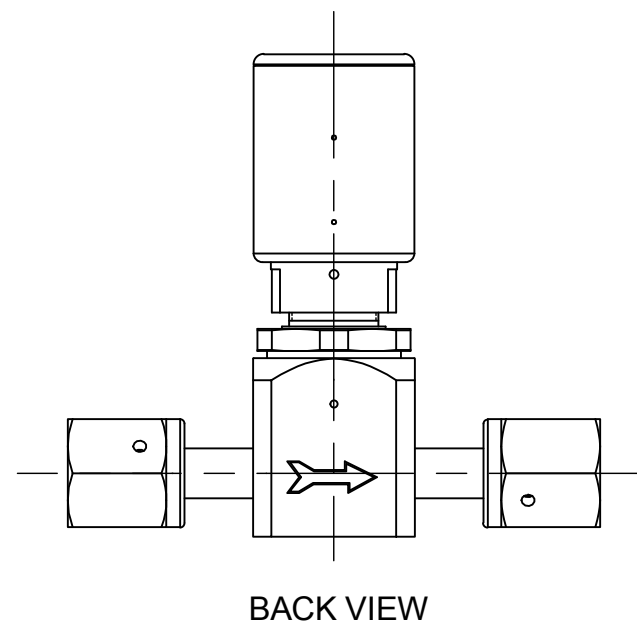
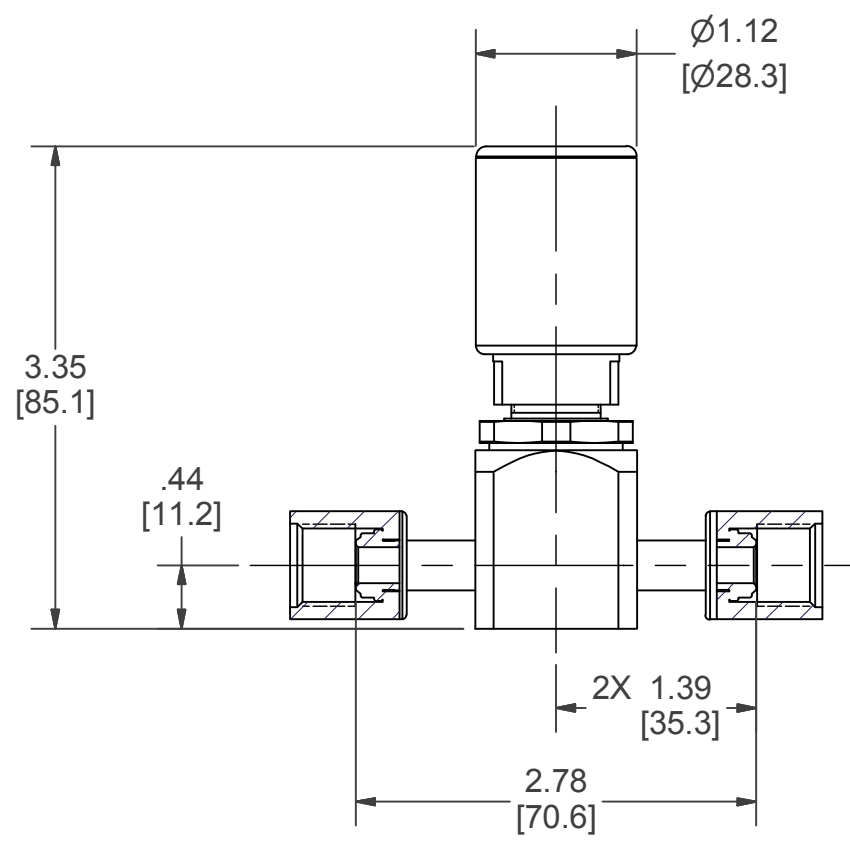
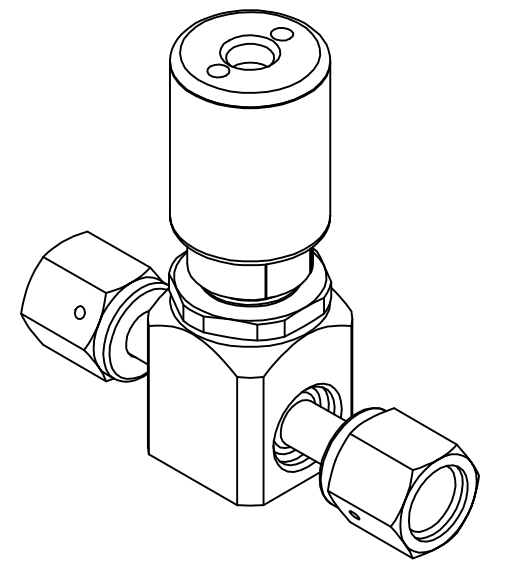
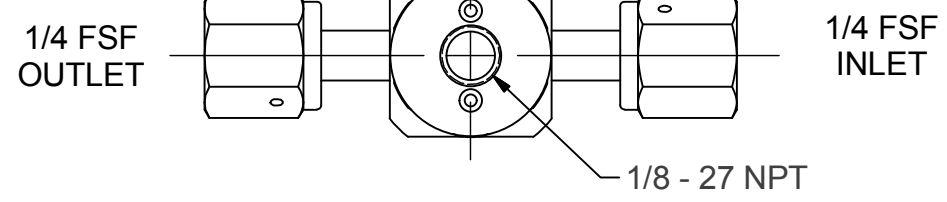


1

2



# SALES DRAWING

DESCRIPTION  
930AOPLPNCFSFF

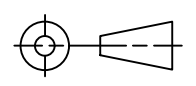
DATE: 1/29/2018

DRAWING NOT TO SCALE SHEET 1 OF 1



DIMENSIONS ARE REF INCH [MM]  
DRAWING IS SUBJECT TO  
CHANGE WITHOUT NOTICE.

COPYRIGHT PARKER. YEAR OF  
COPYRIGHT IS FIRST YEAR  
INDICATED ON THIS DOCUMENT.  
ALL RIGHTS RESERVED.



1

2