

Sample Probes

Superior Probes for Any Application



Customizable and Reliable Probes

Parker's Sample Probes are the perfect choice for spot or composite sampling. The Probes are available in single flow, dual flow and hot tap, all with 316 SS construction. Each Probe can be customized with numerous inlet and outlet configurations.

The Integral Sample Probes feature our patented Pressure-Core® Stem Seal technology that requires no bonnet adjustment and virtually eliminates leaks that would result in measurement drift and fugitive emissions. Parker takes great pride in extending a five-year limited warranty on our Pressure-Core Stem Seal, far exceeding the industry standard.



Contact Information:

Parker Hannifin Corporation
PGI Division
16101 Vallen Drive
Houston, TX 77041 USA

phone 713 466 0056
fax 800 568 9228
pgi_sales@parker.com

www.parker.com/pgi
www.pgoint.com

Product Features:

- 8" "cut to fit" length standard, longer lengths available
- Standard probe valves have roddable acetal resin soft seats
- .136" – .187" – .250" Orifice sizes available
- Inlet connections available from 1/2" – 3/4" – 1" MNPT
- Outlet connections available from 1/4" – 1/2" – 3/4" FNPT
- Stabilizer nut included on several probe models



ENGINEERING YOUR SUCCESS.

Sample Probe Specifications

Sample Probe Specifications PRXX-XXXXXXXXXX		
Part Number Base	Standard Specifications	Options
PR	XX	-XXXXXXXXXX

Code	Description
1 0	Single Flow Probe: Std. with no valve, 1/2" MNPT inlet x 1/4" FNPT outlet, 3/8" O.D. tube x 8" long
1 5*	Single Flow Integral Valve Probe: Std. with 1/2" MNPT inlet x 1/4" FNPT outlet, 3/8" O.D. tube x 8" long, .250" orifice integral valve
1 6	Single Flow Integral Valve Stabilized Connector Probe: Std. with 1/2" MNPT inlet x 3/4" FNPT outlet, 3/8" O.D. tube x 8" long, .187" orifice integral valve
1 7*	Single Flow Integral Valve Probe: Std. with 3/4" MNPT inlet x 1/2" FNPT outlet, 3/8" O.D. tube x 8" long, .250" orifice integral valve
2 0*	Dual Flow Probe: Std. with no valve, 1/2" MNPT inlet x 1/4" FNPT outlet, 1/4" O.D. tube x 8" long std. with no valve
2 5*	Dual Flow Integral Valve Probe: Std. with 3/4" MNPT inlet x 1/4" FNPT outlet, 3/8" O.D. tube x 8" long, .250" orifice integral valves
3 0	Hot Tap Single Flow Probe: Std. with no valve, 1/2" MNPT inlet x 1/4" FNPT outlet, 1/4" O.D. tube x 8" long (locking ferrule not set)
4 0*	Hot Tap Dual Flow Probe: Std. with no valve, 1/2" MNPT inlet x 1/4" FNPT outlet, 1/4" O.D. tube x 8" long (locking ferrule not set)
5 0*	Dual Flow Integral Valve Probe: Std. with 3/4" MNPT inlet x NOVA "D" Direct-Mount™ Adapter outlet, 3/8" O.D. tube x 8" long, .250" orifice integral valves
5 5*	Single Flow Integral Valve Probe: Std. with 3/4" MNPT inlet x 3/4" FNPT outlet, 3/8" O.D. tube x 8" long, .187" orifice integral valve
6 0	Horizontal Dual Flow Integral Valve Stabilized Connector Probe: Std. with 3/4" MNPT inlet x 3/4" FNPT outlet, 3/8" O.D. tube x 8" long, .250" orifice integral valves
6 5	Dual Flow Integral Valve Stabilized Connector Probe: Std. with 3/4" MNPT inlet x 3/4" FNPT outlet, 3/8" O.D. tube x 8" long, .250" orifice integral valves

*Not available as flanged.

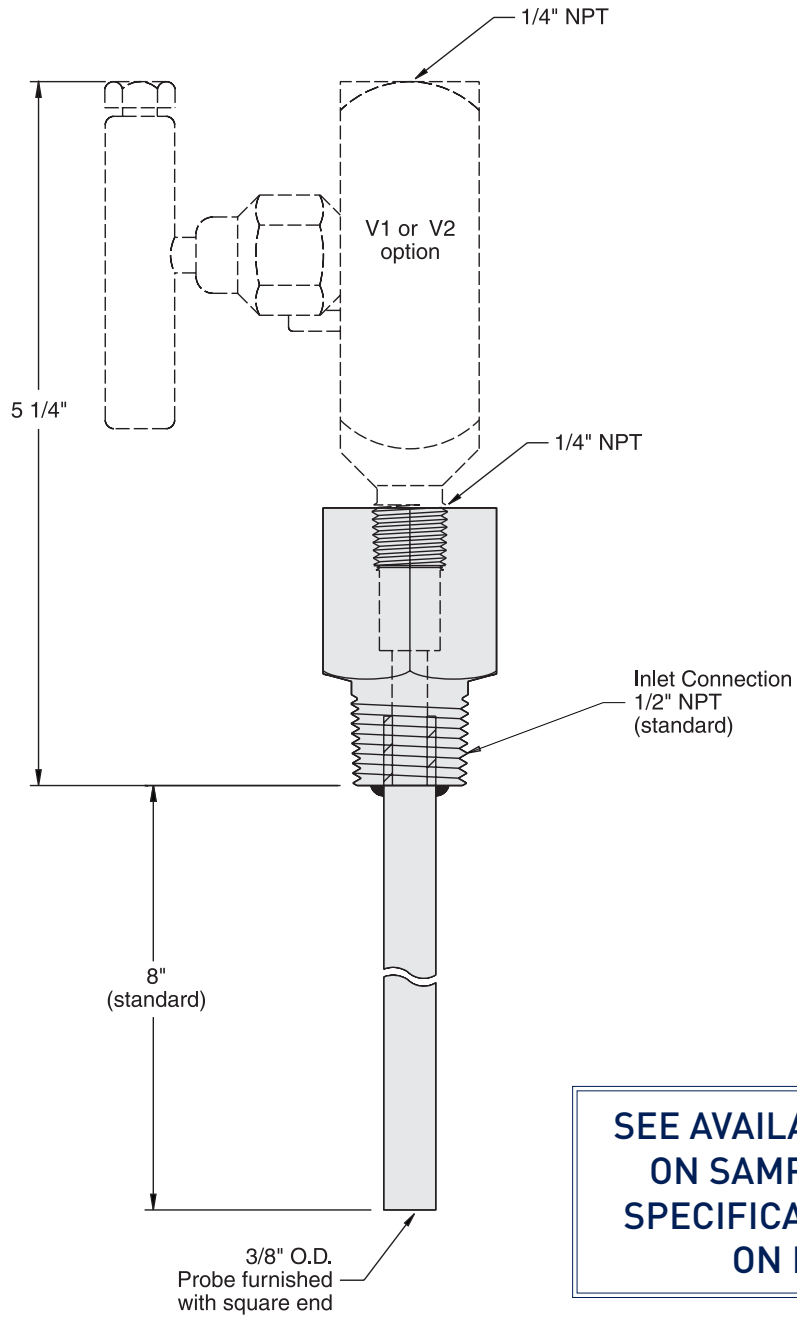
Code	Description
F 1	3" 300# SS raised face flange (inlet side)
F 1 J	3" 300# SS RTJ
F 2	1" 150# SS raised face flange (inlet side)
F 2 J	1" 150# SS RTJ
F 3	2" 300# SS raised face flange (inlet side)
F 3 J	2" 300# SS RTJ
F 4	1" 600# SS raised face flange (inlet side)
F 4 J	1" 600# SS RTJ
F 5	2" 600# SS raised face flange (inlet side)
F 5 J	2" 600# SS RTJ
F 6	1" 300# SS raised face flange (inlet side)
F 6 J	1" 300# SS RTJ
F 7	2" 900# SS raised face flange (inlet side)
F 7 J	2" 900# SS RTJ
F 8	2" 150# SS raised face flange (inlet side)
F 8 J	2" 150# SS RTJ
H T	High Temp (change to 316 SS bushing and Grafoil seal ring) – only for PR30 and PR40
K 3	3/4" SW inlet
K 4	1" SW inlet
L X X	Non-standard probe length (")
N 3	3/4" MNPT inlet
N 4	1" MNPT inlet
S K	PCTFE seat
S P	PEEK seat
V 1	Valve(s), .187" orifice, 316 SS, 1/4" M x F
V 2	Valve(s), .250" orifice, 316 SS, 1/4" M x F
W 1	SS ID tag

Sample Probe Seats

Part Number	.187" Orifice Descriptions	Part Number	.250" Orifice Descriptions
SP3-003-R1	PCTFE cone seat, V1 series	SP3-012-R1	PCTFE cone seat, V2 series
SP3-003-R2	PEEK cone seat, V1 series	SP3-012-R2	PEEK cone seat, V2 series
SP3-003-R4	Acetal resin cone seat, V1 series (std.)	SP3-012-R4	Acetal resin cone seat, V2 series (std.)

PR10 Single Flow Probe

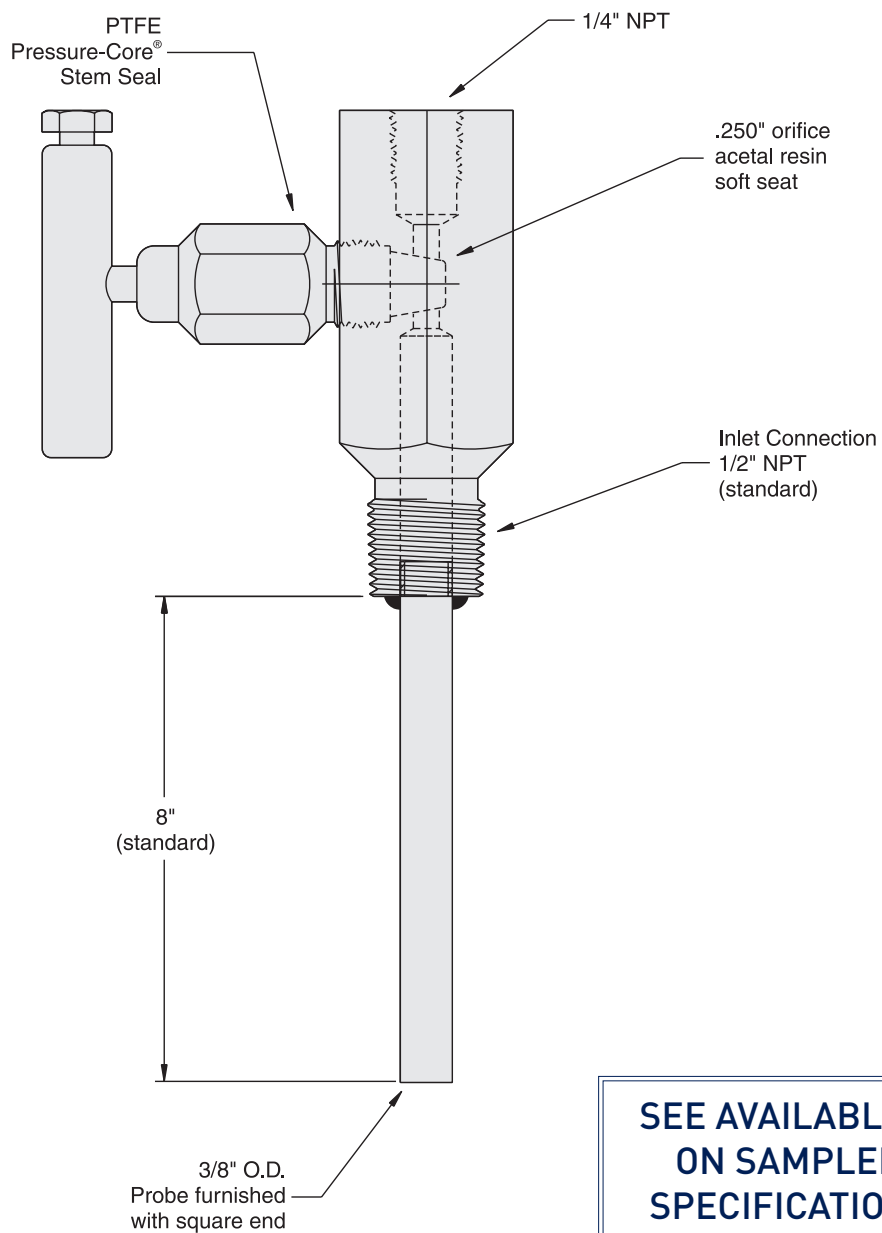
All 316 SS construction



**SEE AVAILABLE OPTIONS
ON SAMPLER PROBE
SPECIFICATIONS SHEET
ON PAGE 2.**

PR15 Single Flow Integral Probe

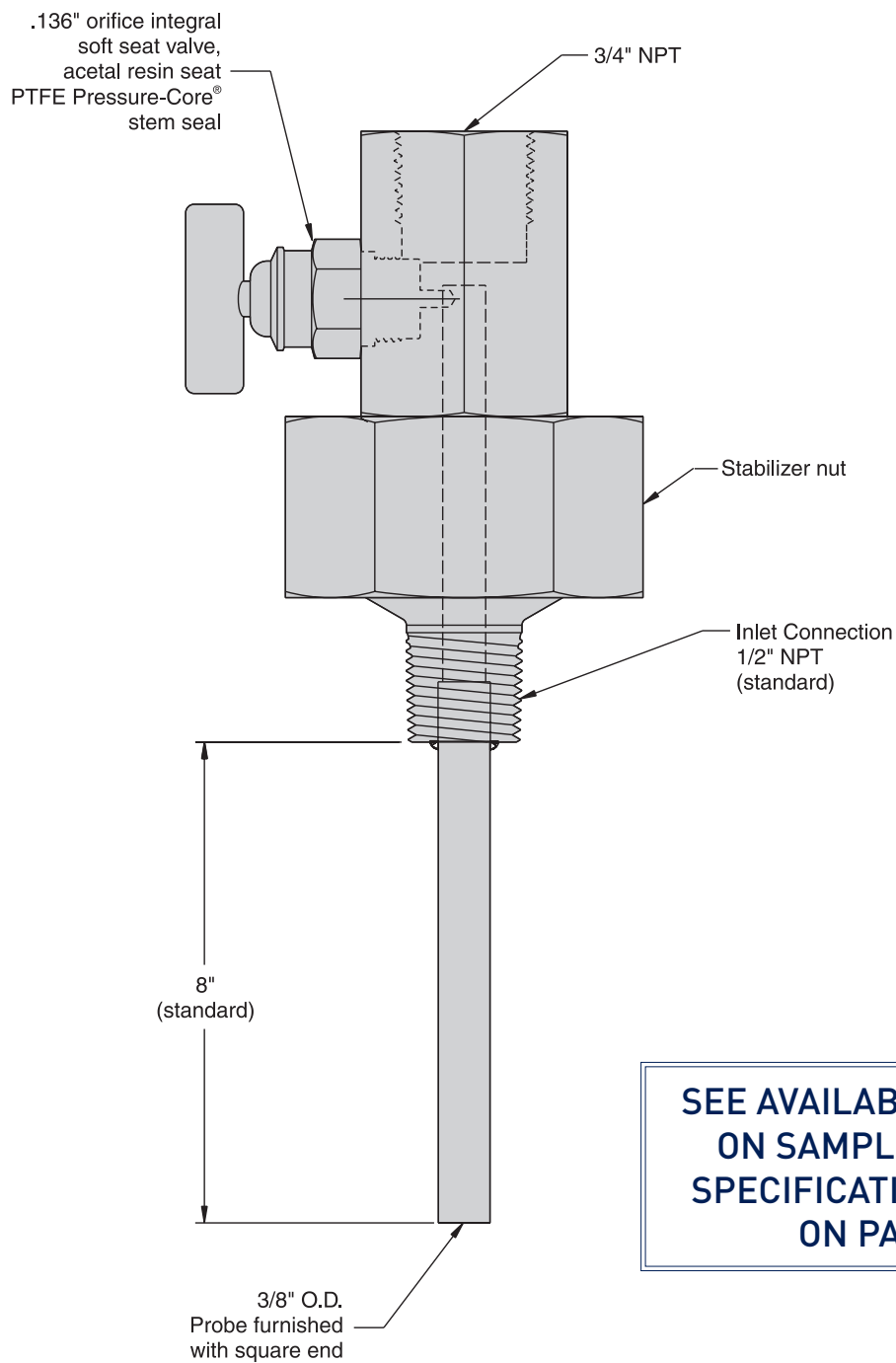
All 316 SS construction



**SEE AVAILABLE OPTIONS
ON SAMPLER PROBE
SPECIFICATIONS SHEET
ON PAGE 2.**

PR16 Single Flow Integral Probe

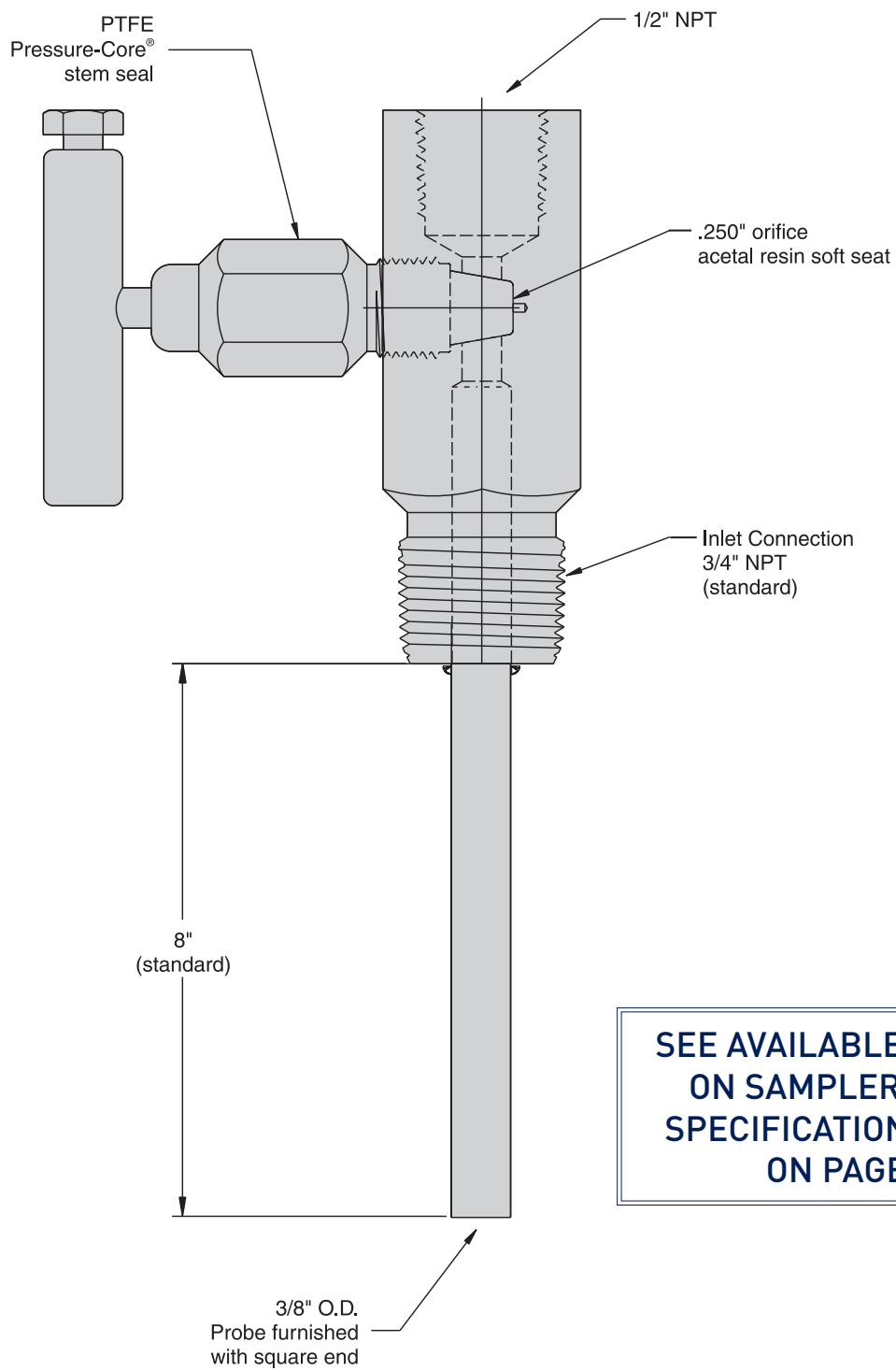
All 316 SS construction



**SEE AVAILABLE OPTIONS
ON SAMPLER PROBE
SPECIFICATIONS SHEET
ON PAGE 2.**

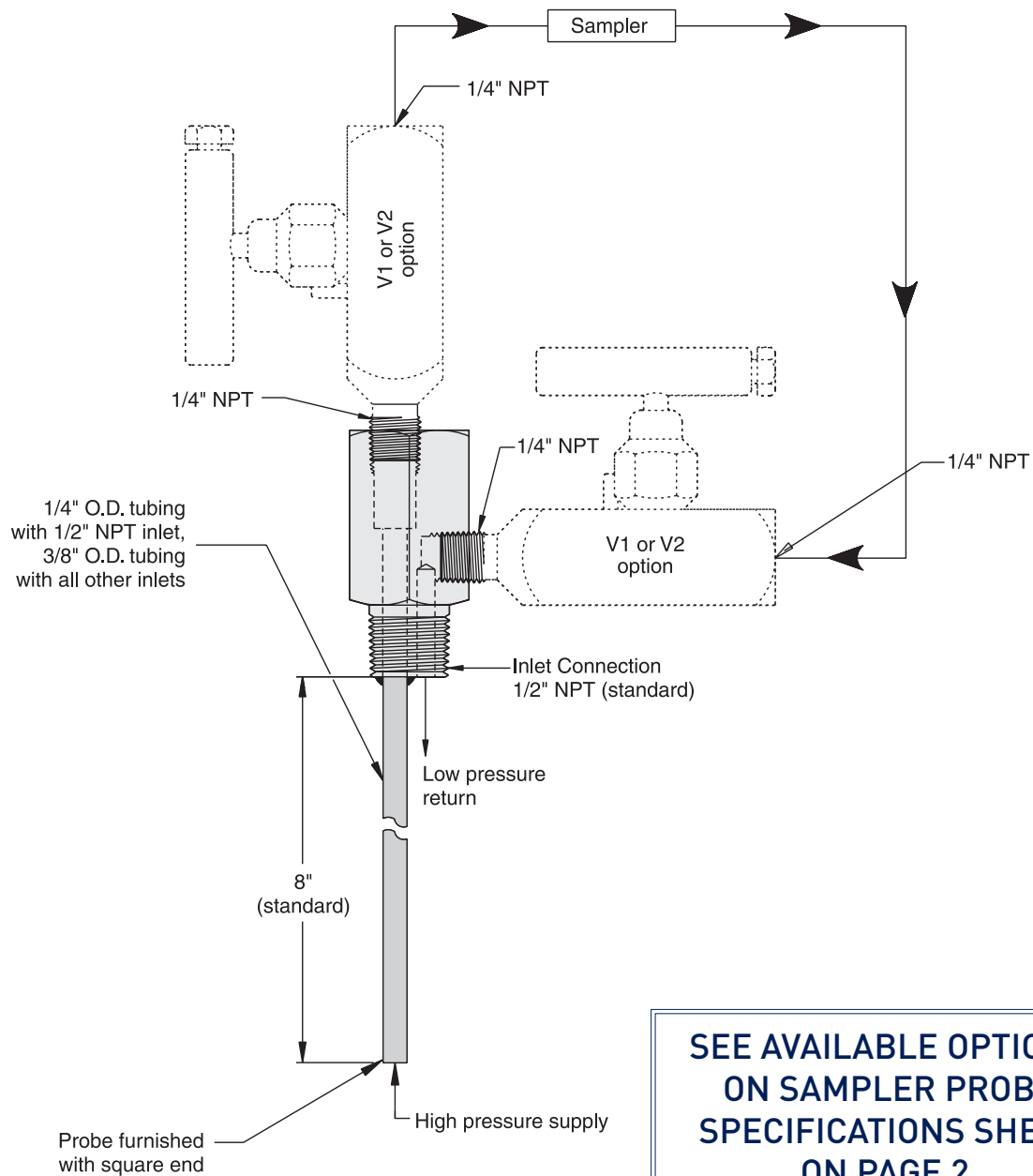
PR17 Single Flow Integral Valve Probe

All 316 SS construction



PR20 Dual Flow Probe

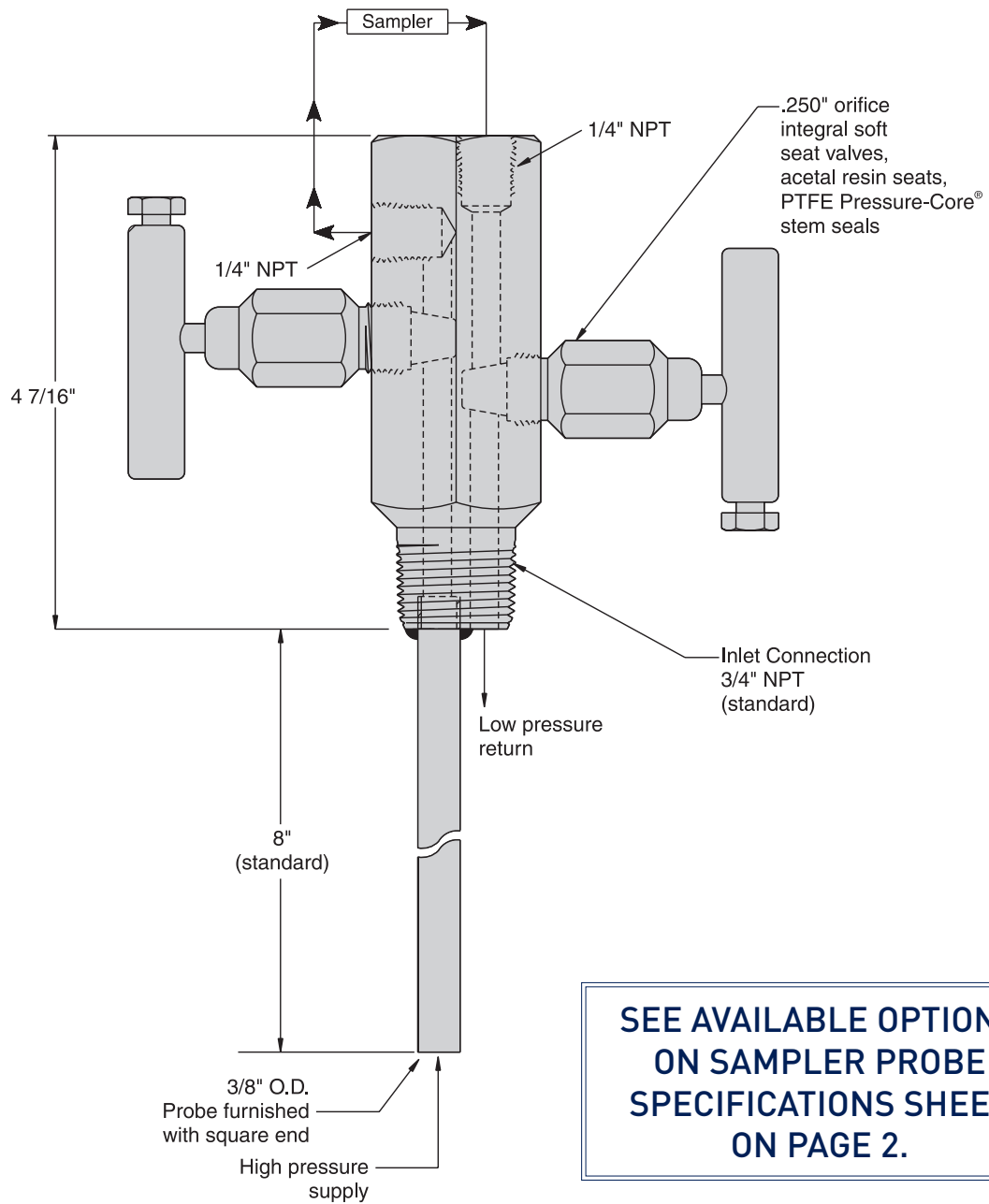
All 316 SS construction



**SEE AVAILABLE OPTIONS
ON SAMPLER PROBE
SPECIFICATIONS SHEET
ON PAGE 2.**

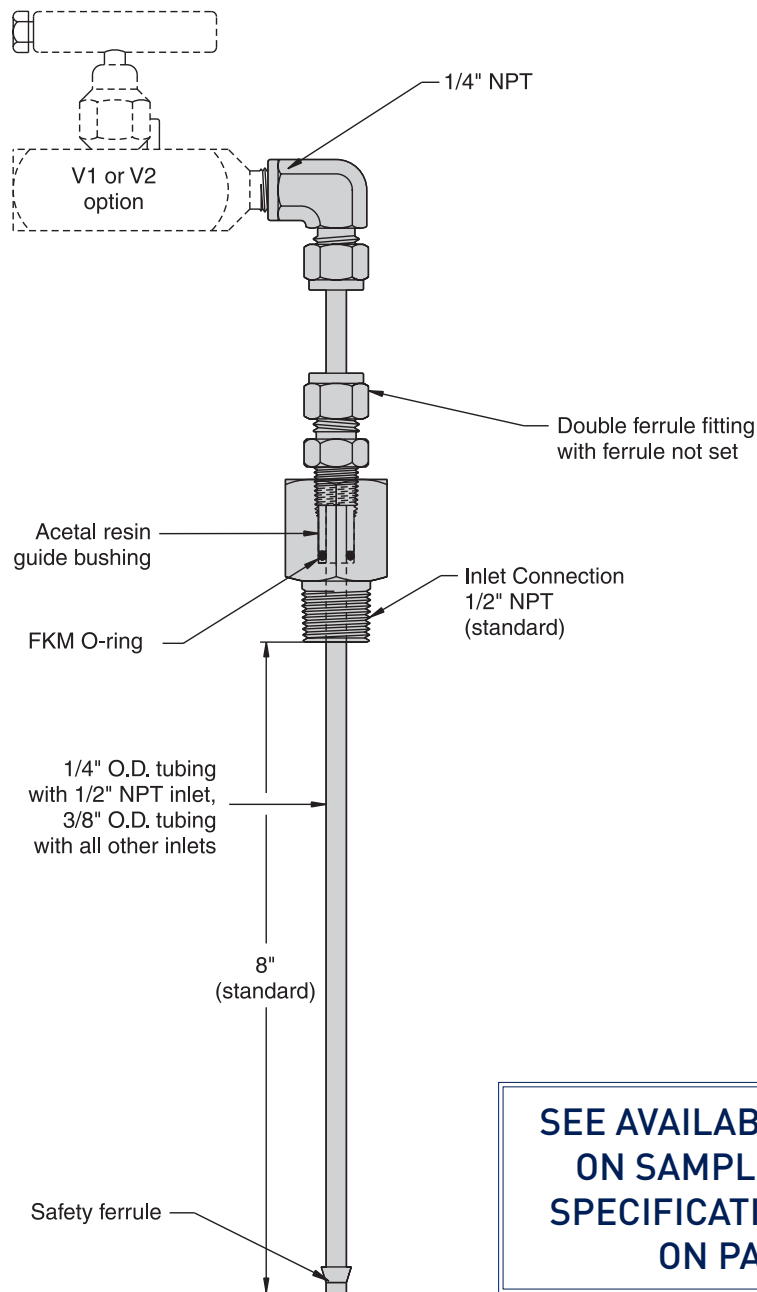
PR25 Dual Flow Integral Probe

All 316 SS construction



PR30 Hot Tap Single Flow Probe

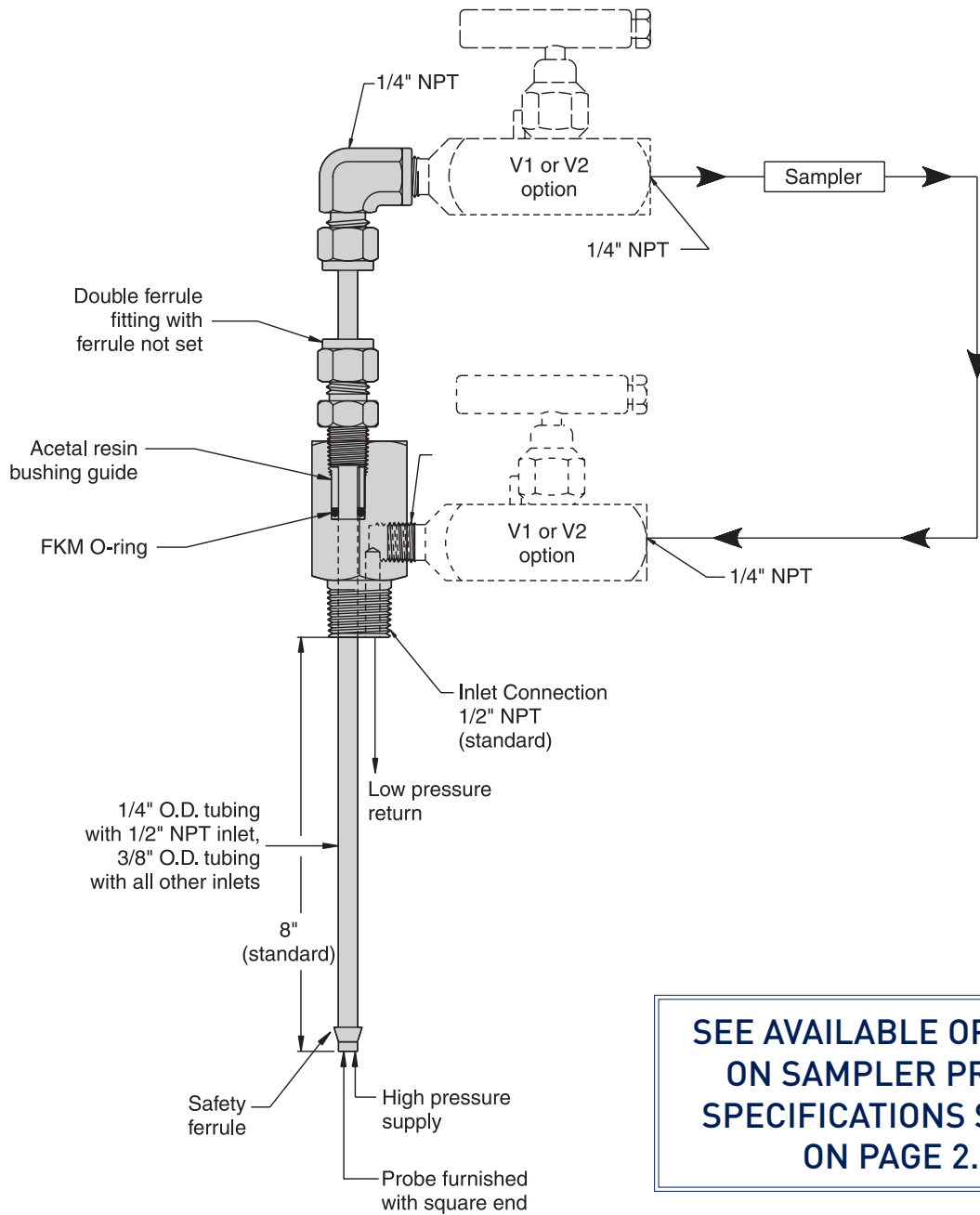
All 316 SS construction



**SEE AVAILABLE OPTIONS
ON SAMPLER PROBE
SPECIFICATIONS SHEET
ON PAGE 2.**

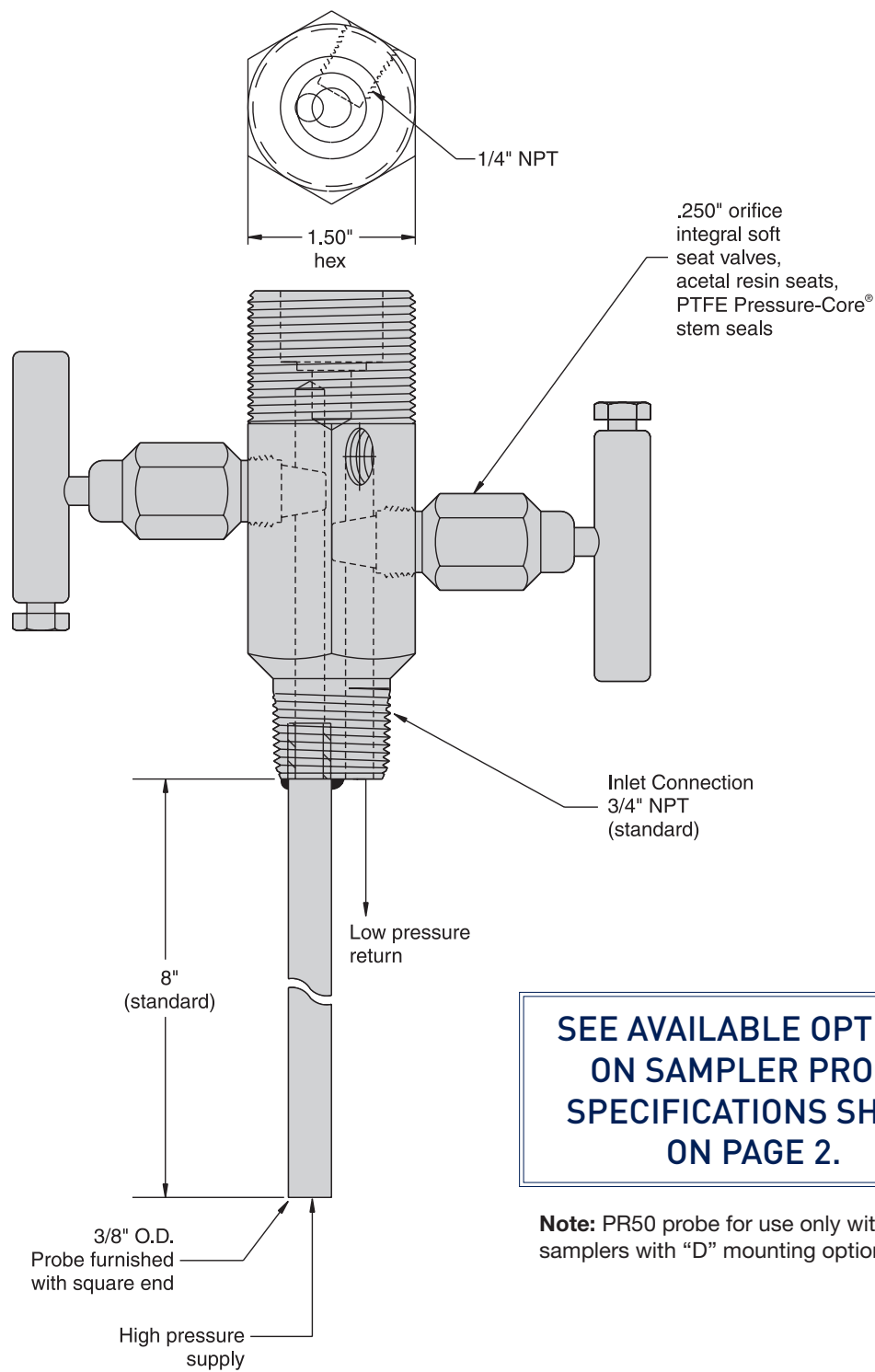
PR40 Hot Tap Dual Flow Probe

All 316 SS construction



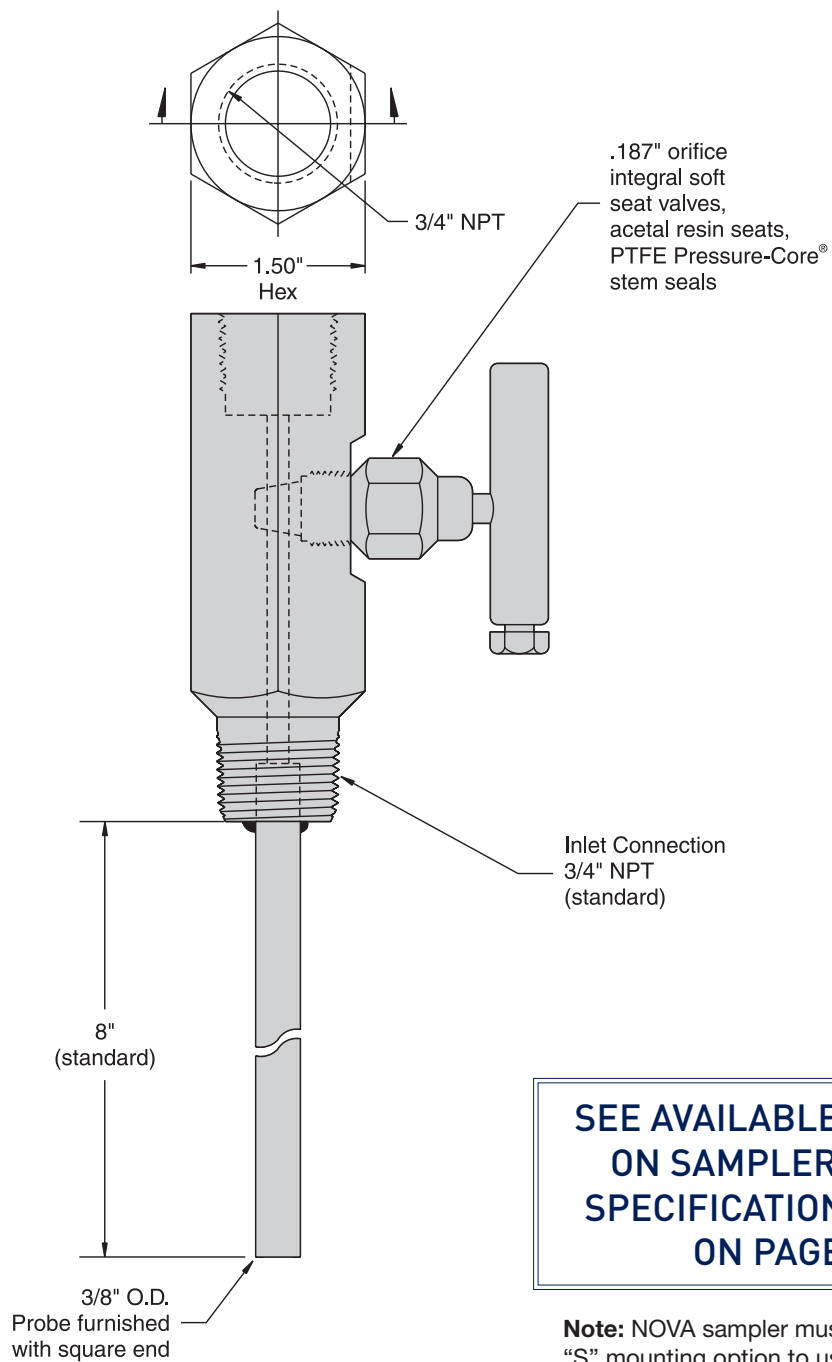
PR50 Dual Flow Integral Probe

All 316 SS construction



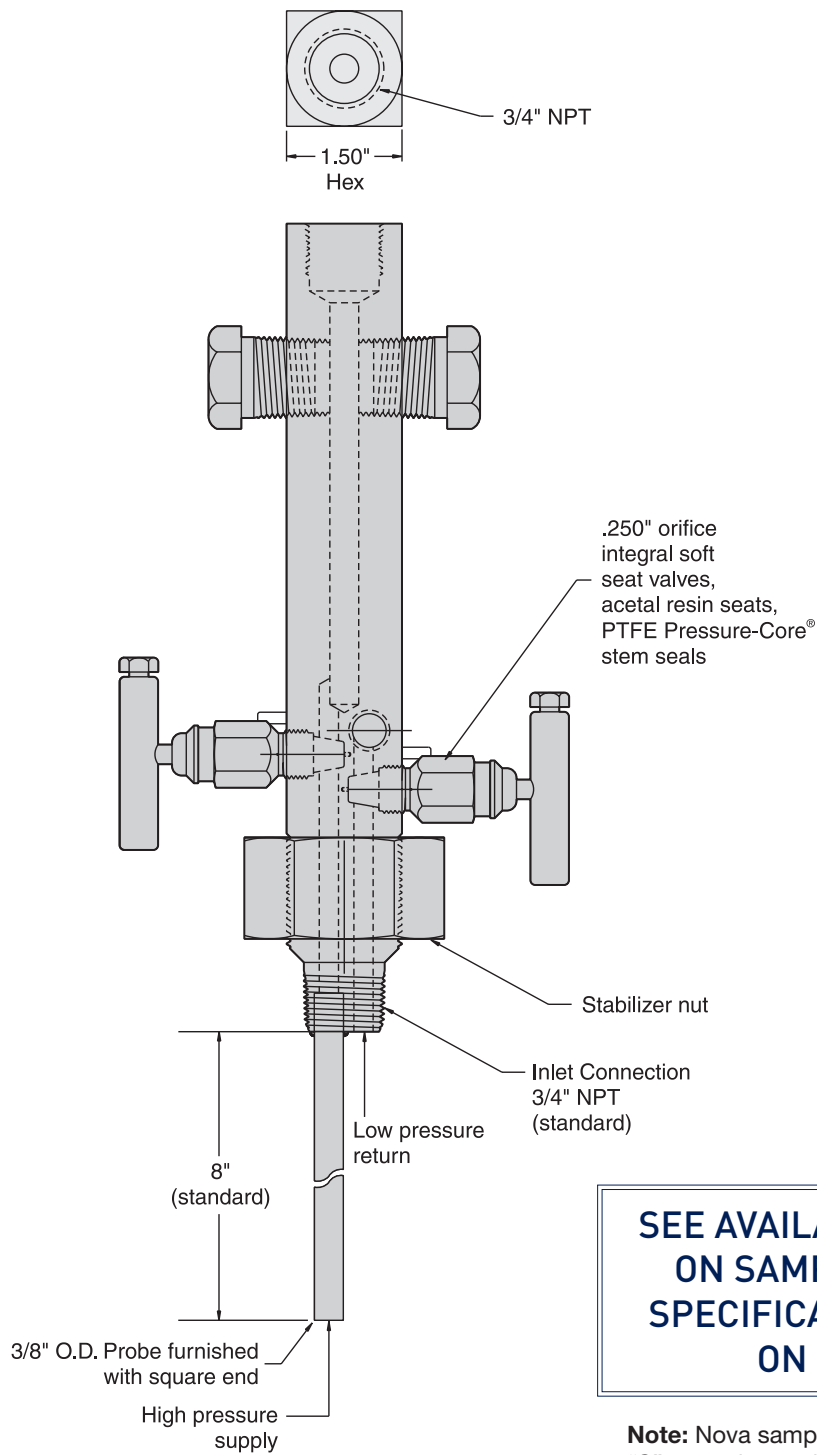
PR55 Single Flow Integral Probe

All 316 SS construction



PR60 Dual Flow Integral Probe

All 316 SS construction

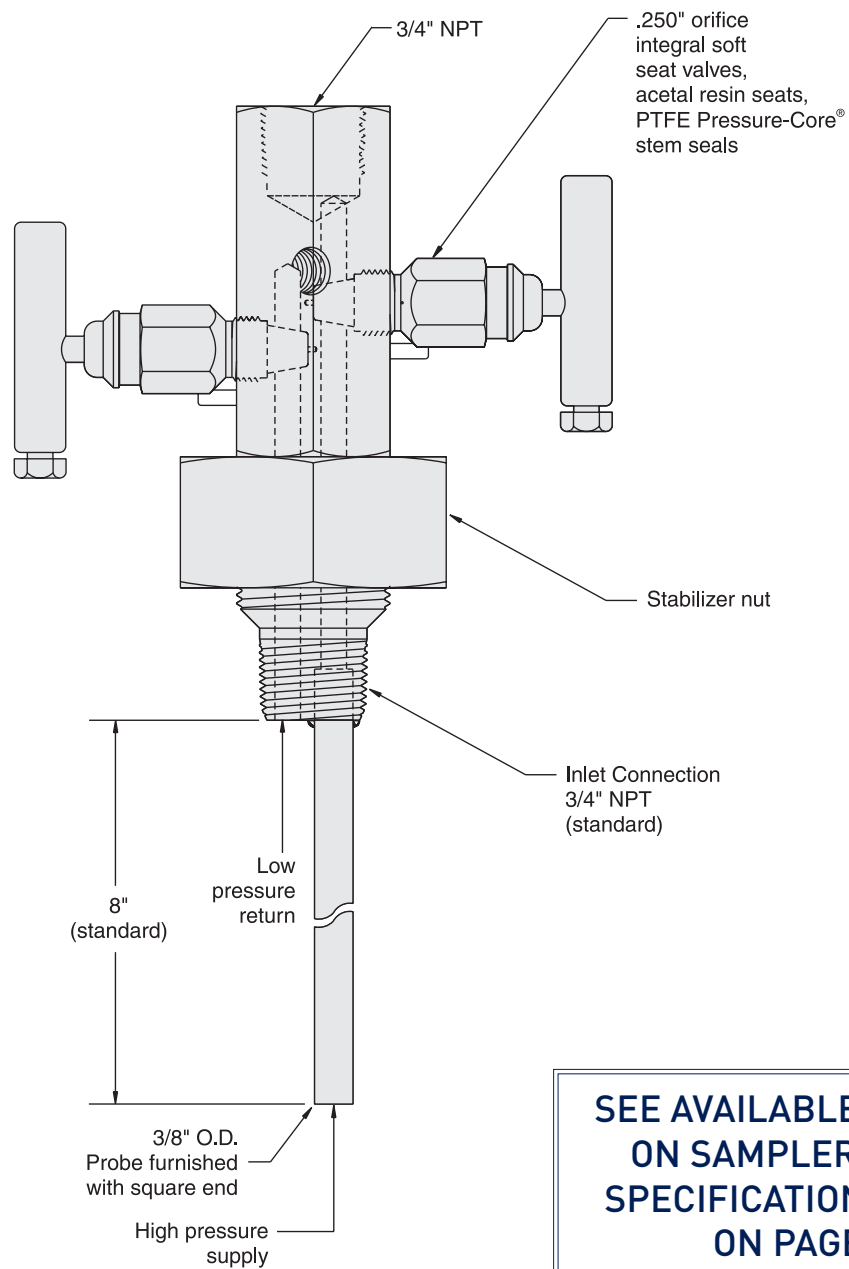


**SEE AVAILABLE OPTIONS
ON SAMPLER PROBE
SPECIFICATIONS SHEET
ON PAGE 2.**

Note: Nova sampler must have the "S" mounting option to use the PR60 probe.

PR65 Dual Flow Integral Probe

All 316 SS construction



**SEE AVAILABLE OPTIONS
ON SAMPLER PROBE
SPECIFICATIONS SHEET
ON PAGE 2.**

Note: NOVA sampler must have the "S" mounting option to use the PR65 probe.

PGI Worldwide Locations

Parker Hannifin Corporation

PGI Division
16101 Vallen Drive
Houston, TX 77041
USA
phone 713 466 0056
fax 713 744 9897
email pgi_sales@parker.com
www.parker.com/pgi
www.pgijnt.com

Parker Hannifin Corporation

PGI Division
18 Huashan Road, New District
Changzhou, Jiangsu
213022
China
phone +86 519 8980 7258
fax +86 519 8980 7212

Parker Hannifin Corporation

PGI Division
11, Fourth Chin Bee Rd
619702
Singapore
phone +65 6887 6300
fax +65 6265 5125

Parker Hannifin Corporation

PGI Division
2620 21st Street NE
Calgary, Alberta
T2E 7L3
Canada
phone 403 291 3154
fax 403 291 3292



Parker Hannifin Corporation

PGI Division

16101 Vallen Drive
Houston, Texas 77041
phone 713 466 0056
fax 713 744 9897
www.parker.com/pgi