

CV-3 Check Valve

Bond Ends

aerospace
climate control
electromechanical
filtration
fluid and gas handling
hydraulics
pneumatic
process control
sealing & shielding

Product Overview:

Bulk chemical systems are trending larger diameter piping/tubing systems. Parker provides the largest fluoropolymer check valve in the industry today.

The check valve is metal free and made from all virgin high purity fluoropolymers making it ideal for nearly all chemicals. The unique design provides extremely low cracking pressure, high flows and high integrity sealing for back flow protection.



Contact Information: Product Features:

Parker Korea Co.Ltd
Instrumentation Business Unit
23,Jangangongdan 1-gil Jangan-
myeon, Hwaseong-si Gyeonggi-do,
18579,Korea
Phone 82 31 359-0700
Fax 82 31 359-0800

- Low cracking pressure
- Low back check sealing pressure
- Parbond ends are removable for welding

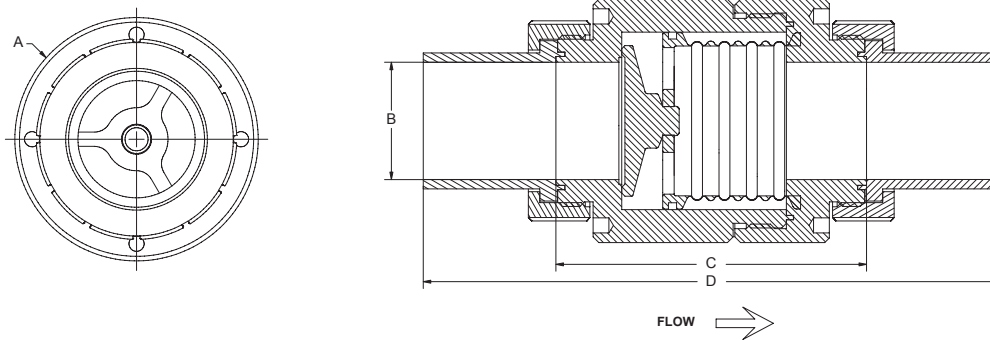
- High purity, made from virgin PTFE
- Compact size



ENGINEERING YOUR SUCCESS.

CV-3 Check Valve

Dimensional Drawing



Ordering Information

Model Number	Nominal End Size	Nut	Cv	End Type	A (inch)	B (inch)	C (inch)	D (inch)
CV-3-7744	1/4"	ETFE	1.5	BOND	1.6	0.37	2.03	4.28
CV-3-7788	1/2"	ETFE	4.2	BOND	2	0.61	2.56	7.43
CV-3-771212	3/4"	ETFE	10.2	BOND	2.75	0.81	3.49	8.35
CV-3-771616	1"	ETFE	11.45	BOND	2.75	1.04	3.59	8.69
CV-3-772424	1.5"	Polypro	43	BOND	4.25	1.61	5.43	10.26
CV-32-993232-01	2"	Polypro	43	BOND	4.25	2.05	5.43	10.06
CV-3-772424-E	1.5"	ETFE	43	BOND	4.25	1.61	5.43	10.26
CV-3-773232-E	2"	ETFE	43	BOND	4.25	2.05	5.43	10.06

Specifications

Materials of Construction

Wetted Options	PTFE, PFA
Non-wetted Options	PTFE, PFA, Polypro, ETFE

Operating Conditions

Size	1/4" ~ 1"	1 1/2" ~ 2"
Cracking Pressure	0.25 PSIG (.017 bar) ~ 0.75 PSIG (.039 bar)	1 PSIG (.069 bar)
Back Check Sealing Pressure	5 PSIG (.35 bar)	8 PSIG (.55 bar)
Pressure Range	120 PSIG (7.5 bar)	80 PSIG (5.5 bar)

ETFE Nut Kit Ordering Information

Part Number	Description
54028665	1/2" Kit : BU-08-02 Nut Side Replace Kit
54028661	3/4" Kit : BU-12-02 Nut Side Replace Kit
54028662	1" Kit : BU-16-02 Nut Side Replace Kit
54028900	1.5" Kit : BU-24-04 Nut Side Replace Kit
54028899	2" Kit : BU-32-04 Nut Side Replace Kit

Pressure ranges for operation at ambient temperatures. For additional information on materials of construction, functional performance and operating conditions, please contact factory.

OFFER OF SALE:

The items described in this document are hereby offered for sale by Parker-Hannifin Corporation, its subsidiaries or its authorized distributors. This offer and its acceptance are governed by the provisions stated in the detailed "Offer of Sale" elsewhere in this document or available at www.parker.com/veriflo



WARNING USER RESPONSIBILITY

FAILURE OR IMPROPER SELECTION OR IMPROPER USE OF THE PRODUCTS DESCRIBED HEREIN OR RELATED ITEMS CAN CAUSE DEATH, PERSONAL INJURY AND PROPERTY DAMAGE. THIS DOCUMENT IS FOR REFERENCE ONLY. PLEASE CONSULT FACTORY FOR LATEST PRODUCT DRAWINGS AND SPECIFICATIONS

This document and other information from Parker-Hannifin Corporation, its subsidiaries and authorized distributors provide product or system options for further investigation by users having technical expertise.

The user, through its own analysis and testing, is solely responsible for making the final selection of the system and components and assuring that all performance, endurance, maintenance, safety and warning requirements of the application are met. The user must analyze all aspects of the application, follow applicable industry standards, and follow the information concerning the product in the current product catalog and in any other materials provided from Parker or its subsidiaries or authorized distributors.

To the extent that Parker or its subsidiaries or authorized distributors provide component or system options based upon data or specifications provided by the user, the user is responsible for determining that such data and specifications are suitable and sufficient for all applications and reasonably foreseeable uses of the components or systems.

The products described herein, including without limitation, product features, specifications, designs, availability and pricing are subject to change by Parker Hannifin Corp and its subsidiaries at any time without notice.

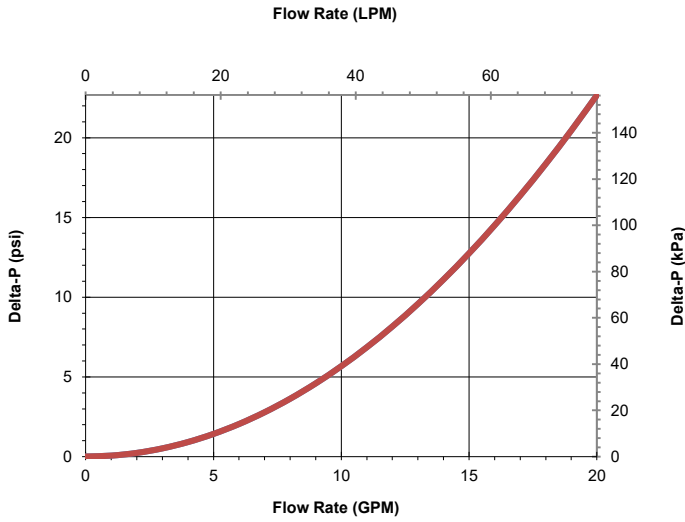
Proposition 65 Warning: This product contains chemicals known to the state of California to cause cancer or birth defects or other reproductive harm.

CV-3 Check Valve

Performance Data

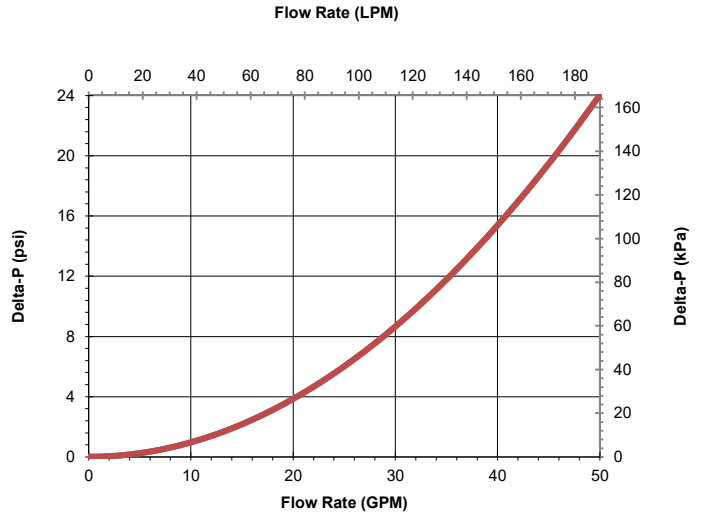
1/2"

Pressure Drop vs. Flow Rate



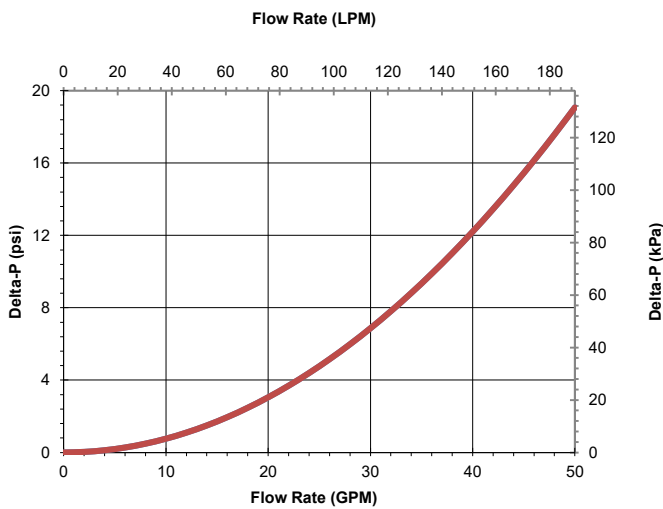
3/4"

Pressure Drop vs. Flow Rate



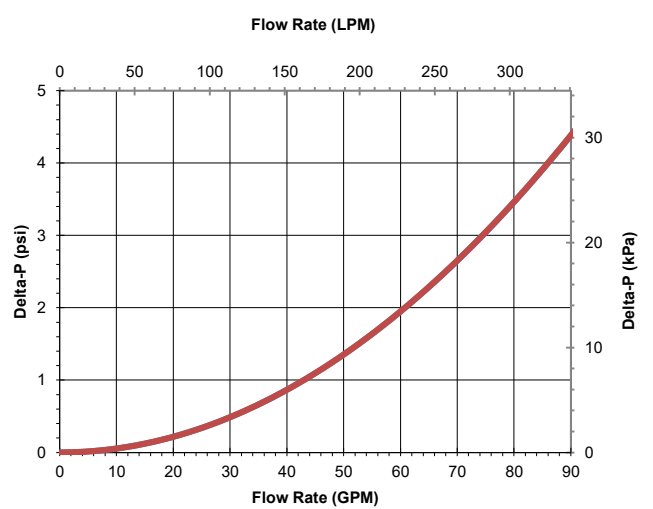
1"

Pressure Drop vs. Flow Rate



1.5" & 2"

Pressure Drop vs. Flow Rate



Parker Korea Instrumentation

경기도 화성시 장안면 장안공단 1길 23

Tel: 031-359-0700

Fax: 031-359-0780

주요 사업부서

