

General Description

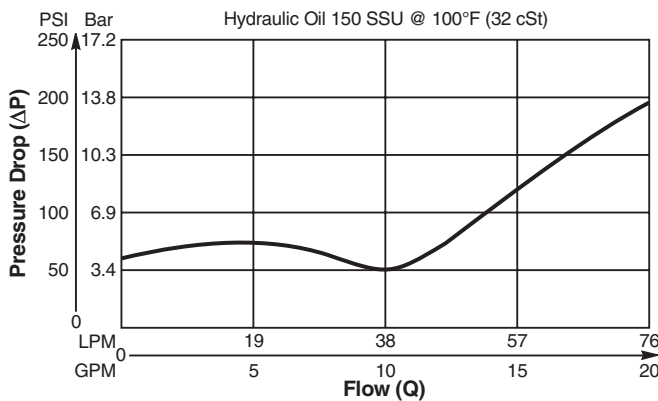
Spool Type, Normally Closed, Pilot to Close Logic Element. For additional information see Technical Tips on pages LE1-LE6.

Features

- Hardened, precision ground parts for durability
- Polyurethane seals only
- No backup rings
- Low leakage design
- All external parts zinc plated

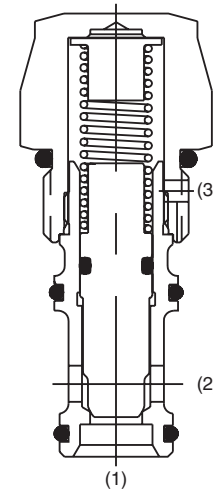
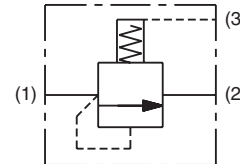
Performance Curve

Pressure Drop vs. Flow (Through cartridge only)

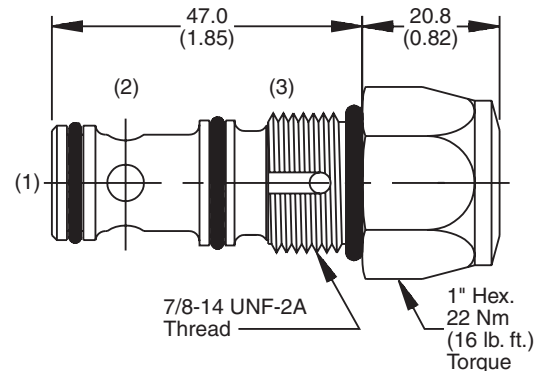


Specifications

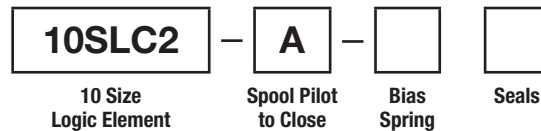
| | |
|--------------------------------------|---|
| Rated Flow | 57 LPM (15 GPM) |
| Maximum Inlet Pressure | 240 Bar (3500 PSI) |
| Leakage @ 150 SSU (32 cst) | 82 cc/min. (5 cu in/min) @ 240 Bar (3000 PSI) |
| Cartridge Material | All parts steel. All operating parts hardened steel. |
| Operating Temp. Range/Seals | -37°C to +107°C (Polyurethane, EPS) (-35°F to +225°F) -26°C to +204°C (Fluorocarbon) (-15°F to +400°F) |
| Fluid Compatibility/Viscosity | Mineral-based or synthetic with lubricating properties at viscosities of 45 to 2000 SSU (6 to 420 cSt) |
| Filtration | ISO-4406 18/16/13, SAE Class 4 |
| Approx. Weight | .14 kg (.30 lbs.) |
| Cavity | C10-3S (See BC Section for more details) |
| Form Tool | Rougher NFT10-3SR Finisher NFT10-3SF |



Dimensions Millimeters (Inches)



Ordering Information



Highlighted represents preferred options that offer the shortest lead times. Other options may be available, but at extended lead times.

| Code | Bias Spring |
|------------|---------------------------|
| 25 | 1.7 Bar (25 PSI) |
| 50 | 3.5 Bar (50 PSI) |
| 75 | 5.2 Bar (75 PSI) |
| 100 | 6.9 Bar (100 PSI) |
| 150 | 10.3 Bar (150 PSI) |

| Code | Seals / Kit No. |
|-------------|--|
| Omit | Polyurethane, EPS (Std.)/ (WRK-10-3S) |
| V | Fluorocarbon / (WRK-10-3S-W) |

- CV** Check Valves
- SH** Shuttle Valves
- LM** Load/Motor Controls
- FC** Flow Controls
- PC** Pressure Controls
- LE** Logic Elements
- DC** Directional Controls
- MV** Manual Valves
- SV** Solenoid Valves
- PV** Proportional Valves
- CE** Coils & Electronics
- CB** Cartrpck Bodies
- BC** Bodies & Cavities
- TD** Technical Data