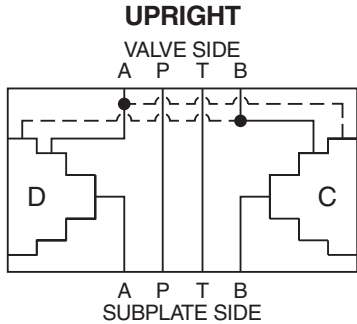


- CV** Check Valves
- SH** Shuttle Valves
- LM** Load/Motor Controls
- FC** Flow Controls
- PC** Pressure Controls
- LE** Logic Elements
- DC** Directional Controls
- MV** Manual Valves
- SV** Solenoid Valves
- PV** Proportional Valves
- CE** Coils & Electronics
- BC** Bodies & Cavities
- TD** Technical Data

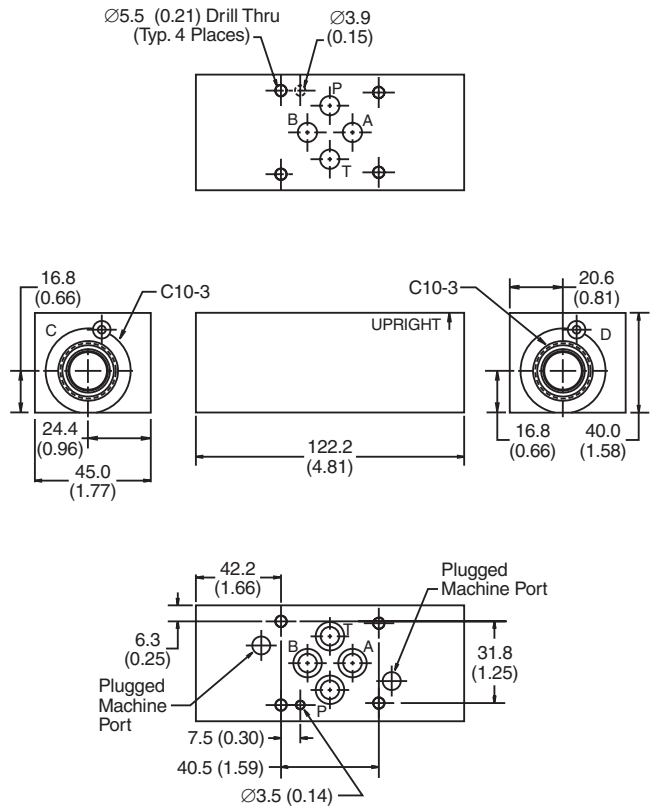
### General Description

Dual (Ports A and B) Drain to Crossover Port D03 Cartpak Body. For additional information see Technical Tips on pages BC1-BC6.

### Body Schematic



### Dimensions



### Ordering Information

<b>BD03</b>	—	<b>DDX</b>	—		—	
D03 Cartpak Body		Dual (Ports A & B) Drain to Crossover		Plug Seals		Body Material
<b>Code</b>	<b>Plug Seals</b>		<b>Code</b>	<b>Body Material</b>		
<b>Omit</b>	Nitrile		<b>A</b>	Aluminum		
<b>V</b>	Fluorocarbon		<b>S</b>	Steel (Ductile Iron)		

**Body supplied with:**  
 • O-Rings and Drive Pin

