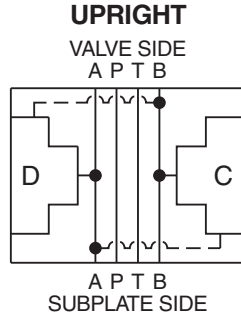


- CV** Check Valves
- SH** Shuttle Valves
- LM** Load/Motor Controls
- FC** Flow Controls
- PC** Pressure Controls
- LE** Logic Elements
- DC** Directional Controls
- MV** Manual Valves
- SV** Solenoid Valves
- PV** Proportional Valves
- CE** Coils & Electronics
- BC** Bodies & Cavities
- TD** Technical Data

General Description

A and B Crossover D03 Cartpak Body.
 For additional information see Technical Tips on pages BC1-BC6.

Body Schematic



Ordering Information

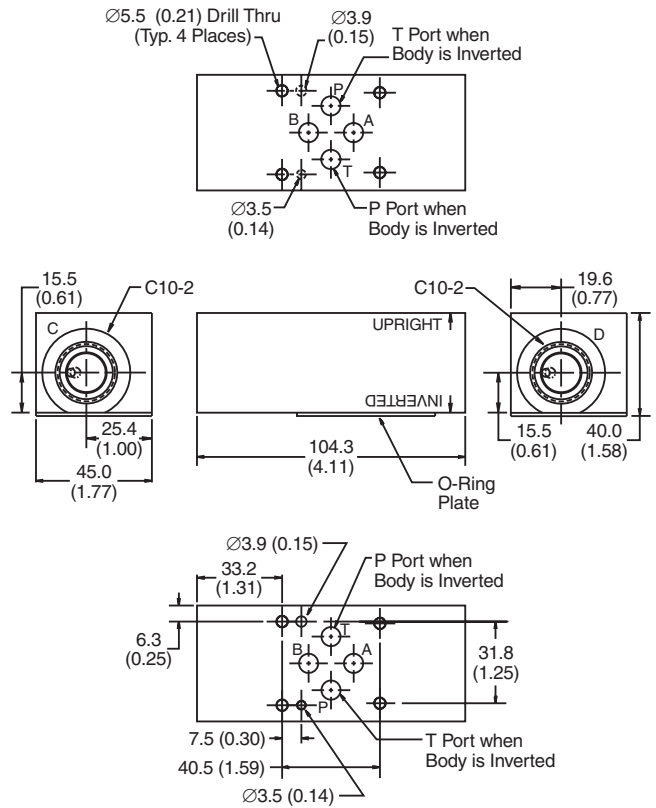


| Code | Plug Seals |
|------|--------------|
| Omit | Nitrile |
| V | Fluorocarbon |

| Code | Body Material |
|------|----------------------|
| A | Aluminum |
| S | Steel (Ductile Iron) |

Body supplied with:
 • O-Ring Plate, O-Rings and Drive Pin Kit

Dimensions Millimeters (Inches)



Option 1
 Cavity C: RAH101, RD102
 Cavity D: RAH101, RD102

Option 2
 Cavity C: RDH103
 Cavity D: RDH103

Direction: Upright

Option 1
 Cavity C: P10-2
 Cavity D: RDH103

Option 2
 Cavity C: RAH101, RD102
 Cavity D: P10-2

Direction: Upright

Option 1
 Cavity C: RDH103
 Cavity D: P10-2

Option 2
 Cavity C: P10-2
 Cavity D: RAH101, RD102

Direction: Upright

